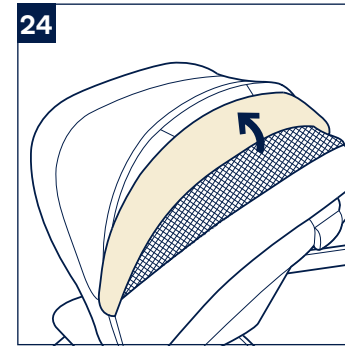
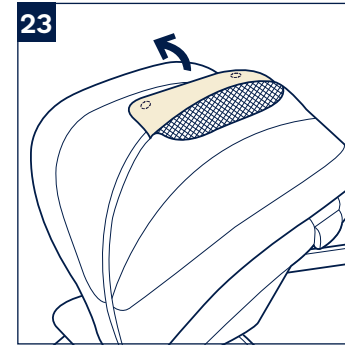
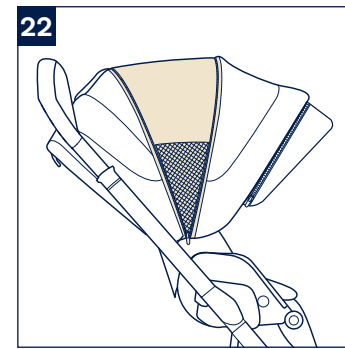
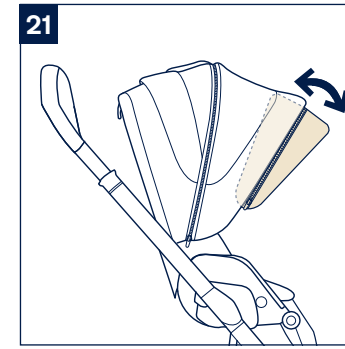
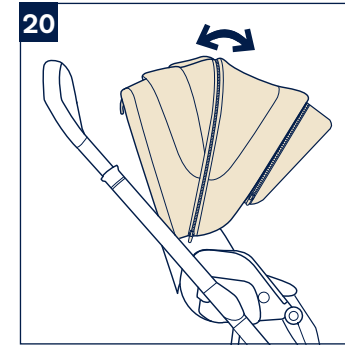
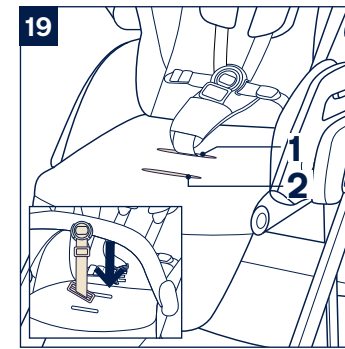
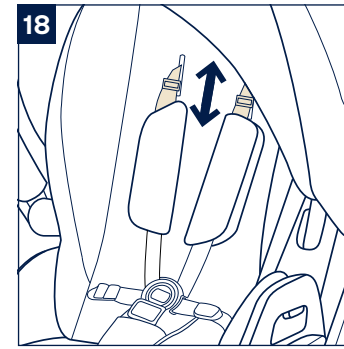
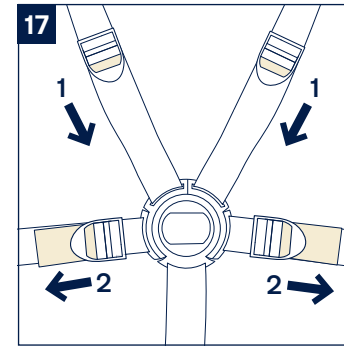
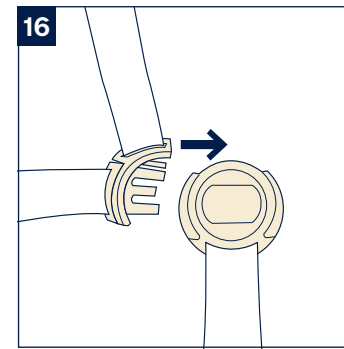
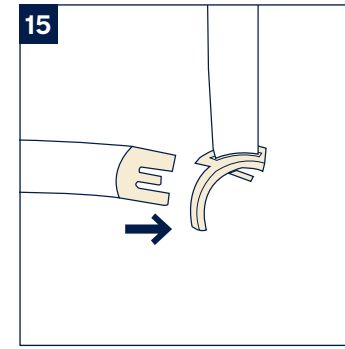
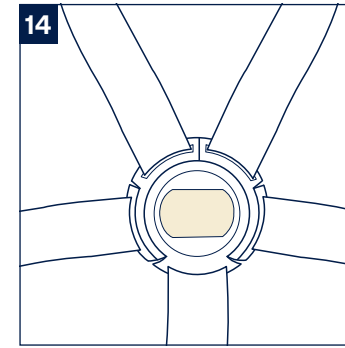
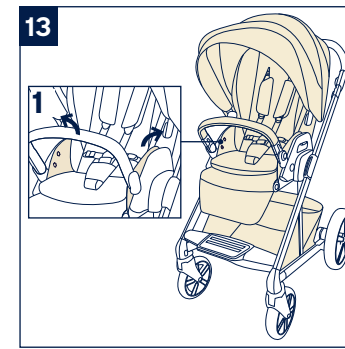
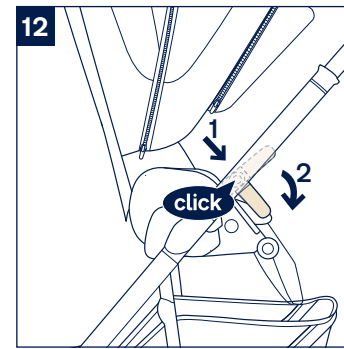
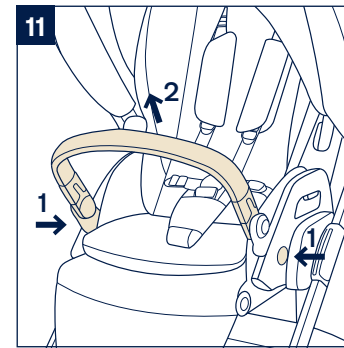
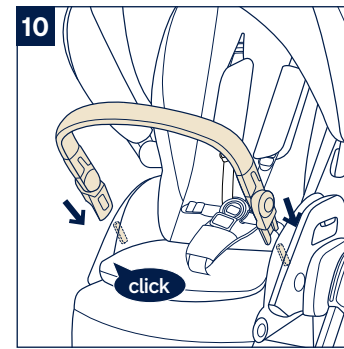
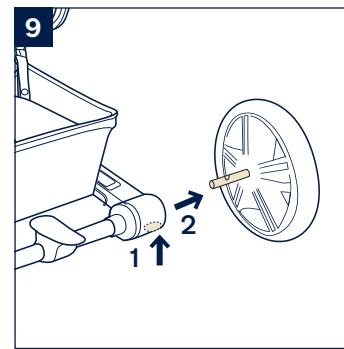
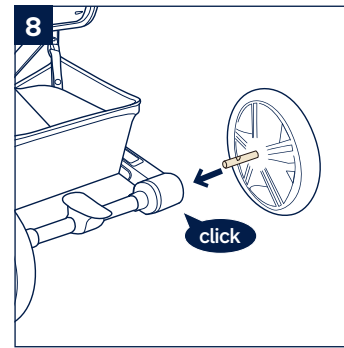
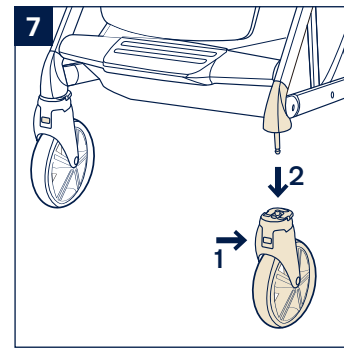
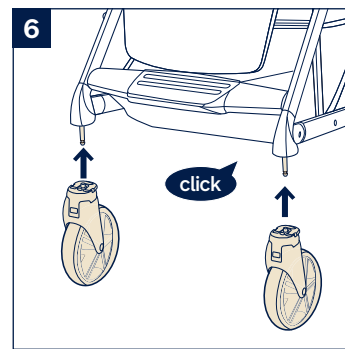
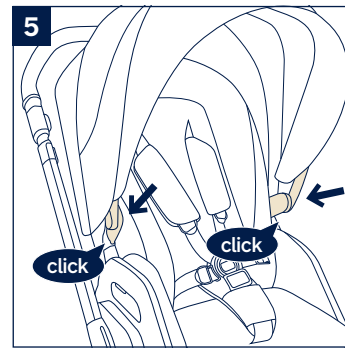
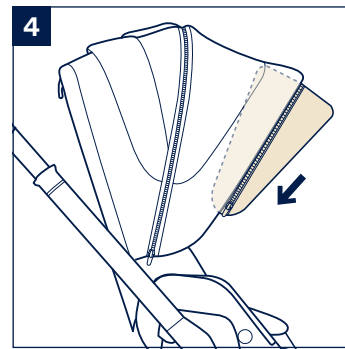
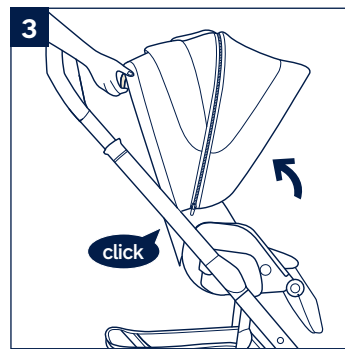
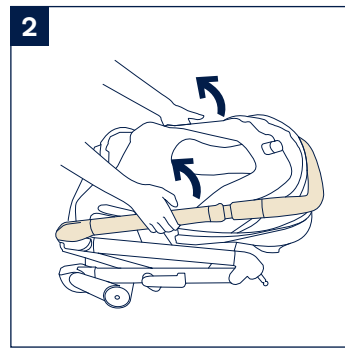
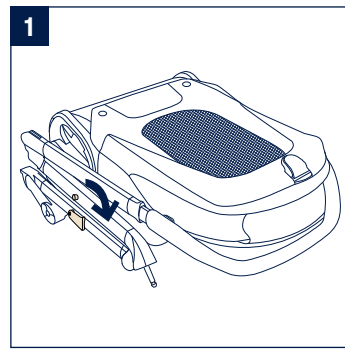


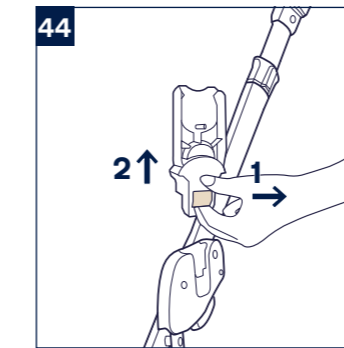
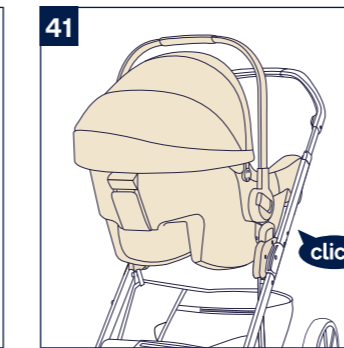
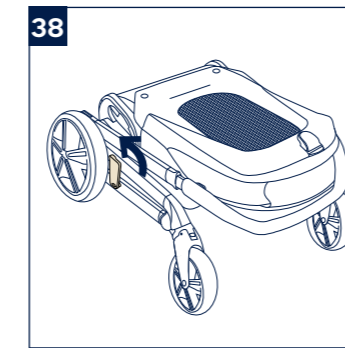
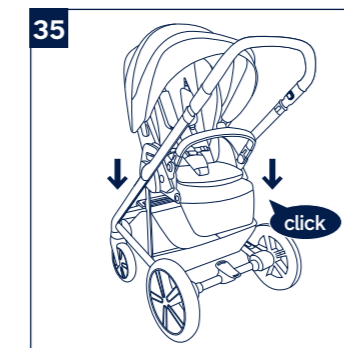
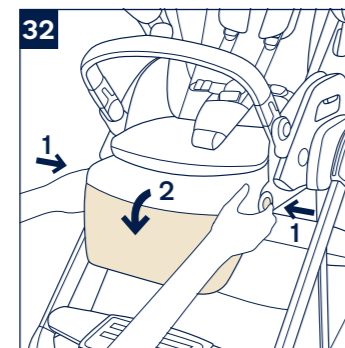
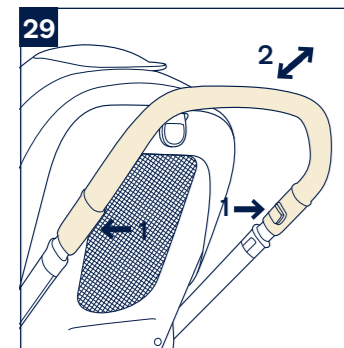
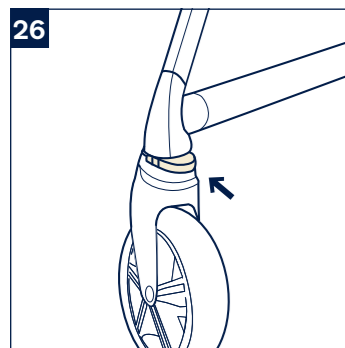
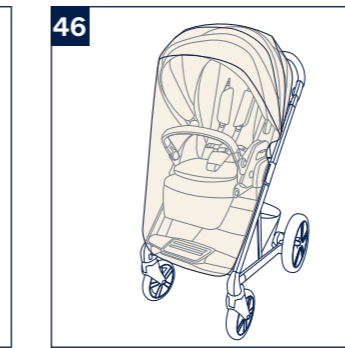
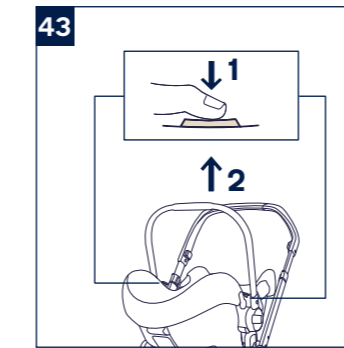
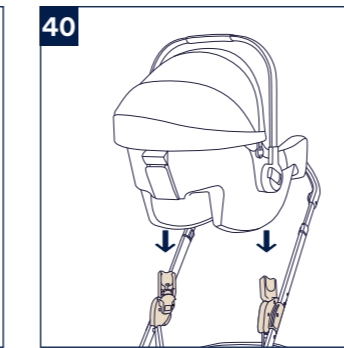
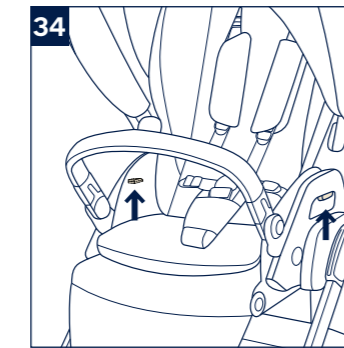
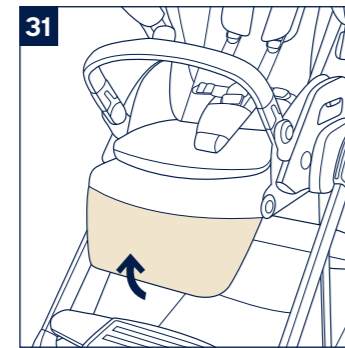
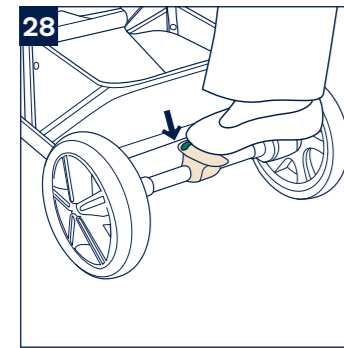
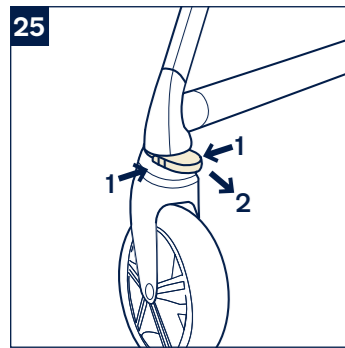
mixx™ next



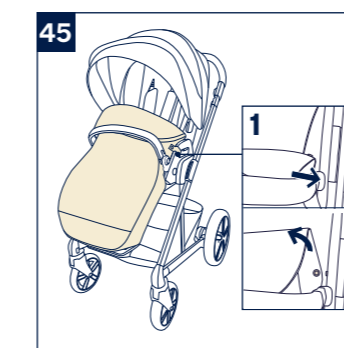
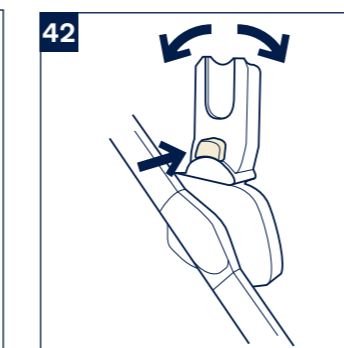
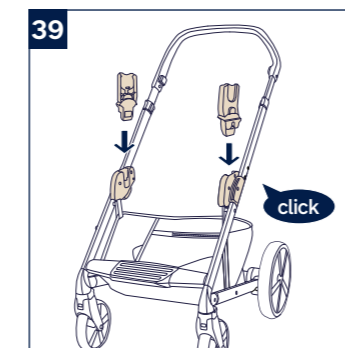
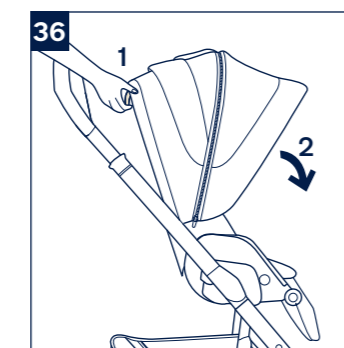
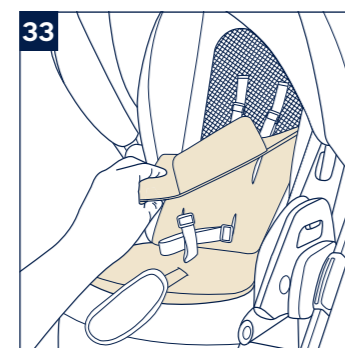
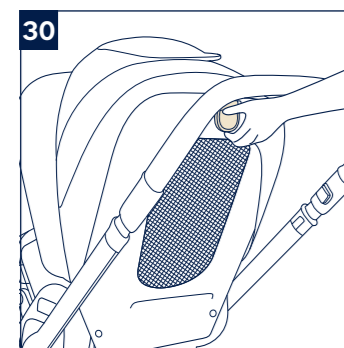
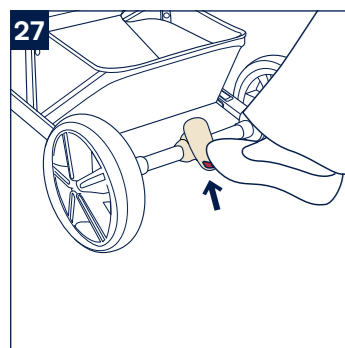
nuna®

Designed
around your life





**IMPORTANT!
READ CAREFULLY
AND KEEP FOR FUTURE
REFERENCE**



Contents

Product Information	3
Product Registration	
Warranty	
Contact	
Child Usage Requirements	4
Warnings	5
Parts List	9
Product Set Up	11
Product Use	13
Accessories	17
Car Seat Adaptor	
Apron	
Rain Cover	
Cleaning and Maintenance	19
Français (FR)	21
Deutsch (DE)	41
Nederlands (NL)	61
Italiano (IT)	81
Español (ES)	101
Português (PT)	121
Polski (PL)	141
Česky (CZ)	161
Slovenčina (SK)	181
Hrvatski (HR)	201
Slovenščina (SL)	221
Русский (RU)	241
Norsk (NO)	261
Svenska (SV)	279
Suomi (FI)	299
Română (RO)	319
Ελληνικά (EL)	339
Türkçe (TR)	359
عربي (AR)	379
한국어 (KO)	399
簡中 (ZH)	419

Product Information

Model Number: _____

Manufactured Date: _____

Product Registration

Please fill in the above information. The model number and the manufactured date are located on a label on the bottom of the stroller frame.

To register your product please visit:

www.nunababy.com

Click the “Register Gear” link on the homepage.

Warranty

We have purposely designed our high-quality products so that they can grow with both your child and your family. Because we stand by our product, our gear is covered by a custom warranty per product, starting from the day it was purchased. Please have the proof of purchase, model number and manufactured date available when you contact us.

For warranty information please visit:

www.nunababy.com

Click the “Warranty” link on the homepage.

Contact

For replacement parts, service, or additional warranty questions, please contact our customer service department.

info@nunababy.com

www.nunababy.com

In the United Kingdom:

infouk@nunababy.com

www.nunababy.com

NUNA International B.V.

Van der Valk Boumanweg 178 C

2352JD Leiderdorp

The Netherlands

Child Usage Requirements

This Stroller is suitable for use with children who meet the following requirements:

Birth to 22 kg or 4 years whichever comes first.

When using the stroller frame with MIXX carry cot or Nuna infant carriers, refer to the child usage requirements listed in those instruction manuals.

⚠ WARNING

Failure to follow these warnings and instructions could result in serious injury or death.

Always use the restraint system.

Check that the pram body or seat unit or car seat attachment devices are correctly engaged before use.

Do not let the child play with this product.

Ensure that all the locking devices are engaged before use.

Never leave the child unattended.

This product is not suitable for running or skating.

To avoid injury ensure that the child is kept away when unfolding and folding this product.

Accessories which are not approved by the manufacturer shall not be used. Only replacement parts supplied or recommended by the manufacturer/distributor shall be used.

Adult assembly required.

ALWAYS set the parking brake when you stop.

Any damage caused by the use of accessories not supplied by Nuna will not be covered in terms of warranty.

Any load attached to the handle and/or on the back of the backrest and/or on the sides of the vehicle will affect the stability of the vehicle.

Be certain the stroller is fully erected and latched before allowing your child near the stroller.

DO NOT carry additional children, goods, accessories in or on the stroller except as permitted in this manual. They may cause the stroller to become unstable.

DO NOT leave the stroller exposed in the vicinity of a strong source of heat i.e. a radiator or open fire.

DO NOT place any item on the canopy.

DO NOT store the stroller in a damp place. Always allow the fabric to dry naturally away from direct heat.

DO NOT use storage basket as a child carrier.

DO NOT use the stroller if any parts are damaged or missing.

For car seats used in conjunction with a chassis, this vehicle does not replace a cot or a bed. Should your child need to sleep, then it should be placed in a suitable pram body, cot or bed.

Keep small parts away from children as they pose a choking hazard.

Negotiate curbs and rough ground carefully. Repeated impact could cause damage to the stroller.

NEVER allow children to stand on the stroller.

NEVER carry more than one child at a time in the stroller.

NEVER use the stroller on stairs or escalators. You may suddenly lose control of the stroller or your child may fall out.

The harness must always be correctly fitted and adjusted. The harness is not a substitute for proper adult supervision.

The parking brake shall be engaged when placing and removing children.

Overloading, incorrect folding, and the use of accessories e.g. child seats, bag hooks, rain covers, buggy boards, etc... other than those approved by Nuna may damage or make the stroller unsafe.

Rubber tires may leave black scuff marks on smooth surfaces such as parquet, laminate and linoleum.

STRANGULATION HAZARD Do not place items with a string around your child's neck, suspend strings from this product, or attach strings to toys.

To avoid any danger of suffocation, remove all plastic covers before using this item and destroy or keep away from babies and children!

To prevent a hazardous, unstable condition, do not place more than 4.5 kg in the storage basket and more than 0.45 kg in the storage pocket.

USE the most reclined position for new born babies.

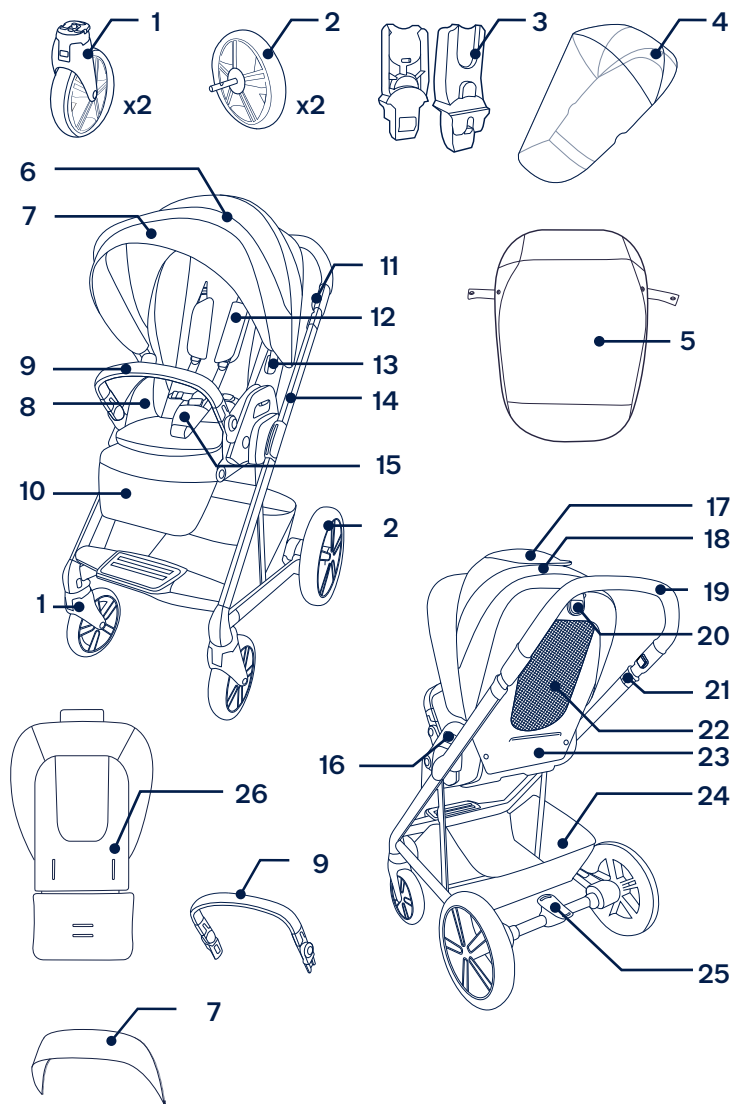
Use the pushchair with a child weighing no more than 22 kg. It will cause damage to the pushchair with an unfitted child.

Parts List

Make sure all parts are available before assembly.
If any part is missing, please contact local retailer. No tools are required for assembly.

! CHOKING HAZARD: Remove and immediately discard protective end caps from each wheel and wheel hub axle.

- | | |
|-----------------------------|------------------------------|
| 1 Front Wheel (x2) | 14 Stroller Frame |
| 2 Rear Wheel (x2) | 15 Buckle and Crotch Cover |
| 3 Car Seat Adaptor | 16 Seat Release Button |
| 4 Rain Cover | 17 Top Canopy Window |
| 5 Apron | 18 Back Canopy Window |
| 6 Canopy | 19 Stroller Handle |
| 7 Canopy Visor | 20 Recline Adjustment Button |
| 8 Seat Pad | 21 Folding Button |
| 9 Armbar | 22 Seat Ventilation |
| 10 Calf Support | 23 Storage Pocket |
| 11 Handle Adjustment Button | 24 Storage Basket |
| 12 Shoulder Harness Pads | 25 Brake Lever |
| 13 Canopy Clips | 26 Insert |



Product Set Up

Open Stroller

- 1 - Open the storage latch as shown (1). Lift up on the handle from the sides and rotate to the rear of the stroller. A “click” sound means the stroller frame is open completely. (2)
 - 2 - Squeeze the recline adjustment button on the back of the seat and rotate the backrest to the upright position. (3)
- ! Check that the stroller is open completely before continuing.

Canopy

- 1 - Zip the canopy visor to the inside of the canopy. (4)
- 2 - Insert the canopy clips into the canopy mounts on the sides of the stroller. A “click” sound means the canopy is assembled completely. (5)

Front Wheels

- 1 - Insert the front wheel into the front leg. A “click” sound means the wheel is assembled completely. (6) Repeat on opposite side.
- ! Check the wheel is securely attached by pulling out.
- 2 - To remove the front wheel, press the release button (7)-1 and detach the front wheel from the front leg. (7)-2

Rear Wheels

- 1 - Insert the rear wheel into the rear leg. A “click” sound means the rear wheel is assembled completely. Repeat on opposite side. (8)

- ! Check that the wheels are securely attached by pulling them out.
- 2 - To remove the rear wheel, press the release button (9)-1 and detach the rear wheel from the rear leg. (9)-2

Armbar

- ! Always secure the child with the harness. The armbar is not a restraint device.
- 1 - Align the armbar ends with the armbar mounts, and insert until it clicks into place. A “click” sound means the armbar is assembled completely. (10)
 - 2 - To remove the armbar, press the armbar release buttons (11)-1 and lift the armbar up. (11)-2
 - 3 - For a more compact fold when the seat is rear facing, press the armbar adjustment buttons (12)-1 and rotate the armbar down (12)-2 until it clicks into place.
- ! **NEVER** use the armbar in lowered/folded position when child is in stroller.

The completely assembled stroller is shown as (13).

Check Set Up

- Stroller frame is latched open
- Front wheels, rear wheels securely attached
- Canopy mount attached to stroller frame and canopy attached to seat pad
- Armbar is securely attached

Product Use

- ! The parking brake **MUST** be engaged when the stroller is stopped and when placing and removing child.

Securing Your Child

- ! To avoid serious injury from falling or sliding out, always use the seat belt.
Make sure the harness is adjusted properly and your child is snugly secured. The space between the child and the shoulder harness should be about the thickness of one finger. **DO NOT** cross the shoulder belts. This will cause pressure on your child's neck.
- 1 - Push the center button on the buckle to release the buckle latch, remove the clips and place your child in the stroller. **(14)**
- 2 - Connect the shoulder buckle and hip buckle. **(15)**
- 3 - Secure the shoulder buckle and hip buckle to the buckle latch and repeat on the opposite side. **(16)**
- 4 - Fit the harness snugly to your child by sliding the adjustment straps to tighten **(17)-1**. Then pull the waist adjustment straps out **(17)-2**.

Shoulder Harness Position

- 1 - The upper shoulder harness buckles can be moved up and down for added adjustment. **(18)**

Crotch Belt

Identify crotch belt slot that will achieve a snug fit. Change crotch belt slot if necessary.

- 1 - Smaller babies use this position. **(19)-1**
- 2 - Larger babies use this position. **(19)-2**

Canopy

- 1 - To open the canopy, pull the canopy toward the front of the seat. To close the canopy, push it back. **(20)**
- 2 - Position the canopy visor forward or backward as needed. When not in use, fold the canopy visor under the canopy. **(21)**
- 3 - Open the zipper on the canopy for extra shade and ventilation. **(22)**
- 4 - For ventilation, flip up the top canopy window cover. **(23)**
- 5 - For additional ventilation, flip up the back canopy window cover. **(24)**

Front Swivel Locks

It is recommended to use the front swivel locks on uneven surfaces.

- 1 - Squeeze **(25)-1** and pull out the front swivel lock **(25)-2** to lock the front wheel forward facing. You may need to move the wheel to get it to lock.
- 2 - Push in the front swivel lock to unlock. **(26)**

Brake

- 1 - To lock the rear wheels, step down on the red area on the brake lever. (27)
 - 2 - To unlock the rear wheels, step down on the green area on the brake lever. (28)
- ! Always apply the brake when the stroller is stopped. Push the stroller slightly to ensure the brake is engaged.

Handle

The handle has 3 positions.

- 1 - To adjust the height of the handle, press the handle adjustment buttons (29)-1 and pull the handle up or down. (29)-2

Recline Adjustment

There are 5 recline positions for the backrest.

- 1 - To raise or lower the backrest, squeeze the recline adjustment button, and pull the seat up or down. (30)

Calf Support

The calf support has 2 use positions.

- 1 - To raise the calf support, lift up. (31)
- 2 - To lower the calf support, press the adjustment buttons on the sides (32)-1, and push down. (32)-2

Insert

The insert can be removed to provide a mesh seating area for better ventilation during hot weather.

- 1 - To remove the insert, release the velcro on insert from the back of the seat, unbuckle the harness, thread the harness through the harness slots and remove the seat pad. (33)
- ! DO NOT remove the backrest tube.

Reverse Seat

The seat can be used rear or forward facing.

- 1 - Squeeze the seat release buttons and lift the seat up. (34)
 - 2 - Turn the seat in the opposite direction and place on the seat mounts until it clicks into place. A “click” sound means the seat is attached. (35)
- ! Check to make sure seat is securely attached by pulling up on it.

Fold

Before folding, push the canopy to the rear of the stroller.

- 1 - Squeeze the recline adjustment button on the back of the seat (36)-1 and rotate the backrest to the stored position. (36)-2
- 2 - Pull up on the folding buttons (37)-1 and push the stroller forward to fold. (37)-2
- 3 - Lock the stroller by tucking the storage latch onto the storage mount. (38)

Accessoires

Car Seat Adaptors

When using the stroller with Nuna infant carriers, please refer to the following instructions.

- 1** - To attach the adaptors, place the adaptors onto the seat mounts as shown. A “click” sound means the adaptors are locked. **(39)**
- 2** - To attach the infant carrier, place the infant carrier onto the adaptors as shown **(40)**, A “click” sound means the infant carrier is locked. **(41)**
- 3** - The infant carrier angle can be adjusted with our adjustable adaptors. **(42)**
- 4** - To remove the infant child carrier, lift the infant carrier up **(43)-2** while pressing the stroller release buttons. **(43)-1**
- 5** - To remove the adaptors, lift the adaptors up **(44)-2** while pulling the release buttons. **(44)-1**

Apron

The soft apron can provide your child with a warm and comfortable environment.

- 1** - Place the apron over the seat, fasten the snaps on the apron **(45)-1**, repeat on the opposite side.
- 2**- The assembled apron is shown as **(45)**.

Rain Cover

Check that the canopy is completely open before attaching the rain cover.

- 1** - To assemble the rain cover, place it over the stroller. **(46)**
- !** **ALWAYS** check ventilation when the rain cover is on the product.
- ALWAYS** check that the rain cover has been cleaned and dried before folding.
- DO NOT** fold the stroller when the rain cover is attached.
- DO NOT** place your child in the stroller in hot weather with the rain cover attached.

Cleaning and Maintenance

Clean the frame, plastic parts, and fabric with a damp cloth, but do not use abrasives or bleach. Do not use silicon lubricants as they will attract dirt and grime. Do not store your stroller in a damp place.

Clean the stroller wheels regularly with water and remove any dirt.

To ensure long-lasting use, wipe off this product with a soft, absorbent cloth after using it in rainy weather.

Refer to the care label attached to the fabric for washing and drying instructions.

It is normal for fabric to color from sunlight and to show wear and tear after a long period of use, even when used normally.

For reasons of safety, only use original Nuna parts.

Check regularly if everything functions properly. If any parts are torn, broken, or missing, stop using this product.

**IMPORTANT –
A LIRE ATTENTIVEMENT
ET À CONSERVER POUR
RÉFÉRENCE ULTÉRIEURE**

Sommaire

Informations sur le produit	23
Enregistrement du produit	
Garantie	
Contact	
Conditions d'utilisation avec un enfant	24
Avertissements	25
Liste de pièces	29
Configuration du produit	31
Utilisation du produit	34
Accessoires	38
Adaptateur pour siège auto	
Tablier	
Housse de pluie	
Nettoyage et entretien	40

FR Informations sur le produit

Numéro de modèle : _____

Date de fabrication : _____

Enregistrement du produit

Veillez fournir les informations ci-dessus. Le numéro de modèle et la date de fabrication se situent sur une étiquette sur la partie inférieure du cadre de la poussette.

Pour enregistrer votre produit, veuillez vous rendre sur le site suivant :

www.nunababy.com

Cliquez sur le lien « Enregistrer un équipement » dans la page d'accueil

Garantie

Nous avons conçu spécialement nos produits de haute qualité afin qu'ils puissent accompagner le développement de votre enfant et de votre famille. Nous soutenons notre produit en couvrant notre matériel par une garantie personnalisée, commençant le jour de son achat. Ayez la preuve d'achat, le numéro de modèle et la date de fabrication à disposition lorsque vous nous contactez.

Pour des informations sur la garantie, veuillez visiter :

www.nunababy.com

Cliquez sur le lien « Garantie » dans la page d'accueil.

FR Contact

Pour des informations sur les pièces de rechange, le service ou des questions supplémentaires sur la garantie, veuillez contacter notre service client.

info@nunababy.com

www.nunababy.com

Conditions d'utilisation avec un enfant

Cette poussette est adaptée aux enfants répondant aux exigences suivantes :

De la naissance jusqu'à 22 kg ou 4 ans à la première des deux limites atteintes

Lorsque vous utilisez le châssis de poussette avec la nacelle MIXX ou un porte-bébé Nuna, reportez-vous aux exigences d'utilisation pour les enfants figurant dans ces manuels d'instructions.

⚠ AVERTISSEMENT

Ne pas suivre ces avertissements et instructions peut conduire à de sérieuses blessures ou la mort.

Toujours utiliser le système de retenue.

Vérifier que les dispositifs de fixation de la nacelle, du siège ou du siège-auto sont correctement enclenchés avant utilisation.

Ne pas laisser votre enfant jouer avec ce produit.

S'assurer que tous les dispositifs de verrouillage sont enclenchés avant utilisation.

Ne jamais laisser l'enfant sans surveillance.

Ce produit ne convient pas pour faire du jogging ou des promenades en rollers.

Pour éviter toute blessure, maintenir votre enfant à l'écart lors du dépliage et du pliage du produit.

Les accessoires non homologués par le fabricant ne doivent pas être utilisés. Seules les pièces de rechange fournies ou recommandées par le fabricant/distributeur doivent être utilisées.

L'assemblage du produit doit être effectué par un adulte.

Enclenchez **TOUJOURS** le frein de stationnement lorsque vous vous arrêtez.

Tout dommage causé par l'utilisation d'accessoires non fournis par Nuna ne seront pas couverts en termes de garantie.

Les charges attachées à la poignée et/ou au dos du dossier et/ou sur les côtés de la poussette affectent la stabilité de la poussette.

Assurez-vous que la poussette est complètement en place et verrouillée avant de laisser votre enfant à côté de la poussette.

NE TRANSPORTEZ PAS d'enfant, de bien ou d'accessoire supplémentaire dans ou sur la poussette, à l'exception des autorisations de ce manuel. Ils pourraient compromettre la stabilité de la poussette.

NE LAISSEZ PAS la poussette exposée à proximité d'une source de chaleur comme un radiateur ou un feu.

NE PLACEZ PAS d'objet sur la voilure.

NE CONSERVEZ PAS la poussette dans un endroit humide. Laissez toujours sécher naturellement le tissu à l'écart des sources directes de chaleur.

N'UTILISEZ PAS le panier de rangement comme un porte-bébé.

N'UTILISEZ PAS la poussette si des pièces sont endommagées ou manquantes.

Cette poussette ne remplace pas un berceau ni un lit même lorsque les sièges de voiture sont utilisés avec un châssis. Si votre enfant a besoin de dormir, il doit être placé dans un landau, un berceau ou un lit approprié.

Gardez les petites pièces à l'écart des enfants car elles présentent des risques d'étouffement.

Négociez les virages et les terrains délicats avec prudence. Les impacts répétés peuvent endommager la poussette.

NE LAISSEZ JAMAIS les enfants être debout sur la poussette.

NE TRANSPORTEZ JAMAIS plus d'un enfant à la fois dans la poussette.

N'UTILISEZ JAMAIS la poussette dans des escaliers ou des escaliers mécaniques. Vous risquez de perdre soudainement le contrôle de la poussette ou votre enfant risque de tomber.

Le harnais doit toujours être correctement adapté et ajusté. Le harnais ne se substitue pas à la surveillance d'un adulte.

Le frein de stationnement doit être enclenché lorsque vous placez ou retirez l'enfant.

Une surcharge, un pliage incorrect et l'utilisation d'accessoires tels que des sièges enfants, des crochets pour sacs, des housses de pluie, des marche-pieds, etc. autres que ceux approuvés par Nuna peuvent endommager ou compromettre la sécurité de la poussette.

Les pneus en caoutchouc peuvent laisser des marques d'éraflures noires sur les surfaces lisses telles que le parquet, le stratifié et le linoléum.

RISQUE D'ÉTRANGLEMENT Ne placez pas des objets avec une ficelle autour du cou de votre enfant, ne suspendez aucune ficelle à ce produit, et n'attachez aucune ficelle aux jouets.

Pour éviter tout risque de suffocation, retirez toutes les protections en plastique avant d'utiliser ce produit et détruisez-les ou bien conservez-les hors de portée des bébés et des enfants !

Pour éviter des situations dangereuses ou instables, ne placez pas plus de 4,5 kg dans le panier de rangement et pas plus de 0,45 kg dans la poche de rangement.

UTILISEZ la position la plus inclinée pour les nouveaux-nés.

UTILISEZ la poussette avec un enfant pesant moins de 22 kg. Cela endommagera la poussette avec un enfant non installé.

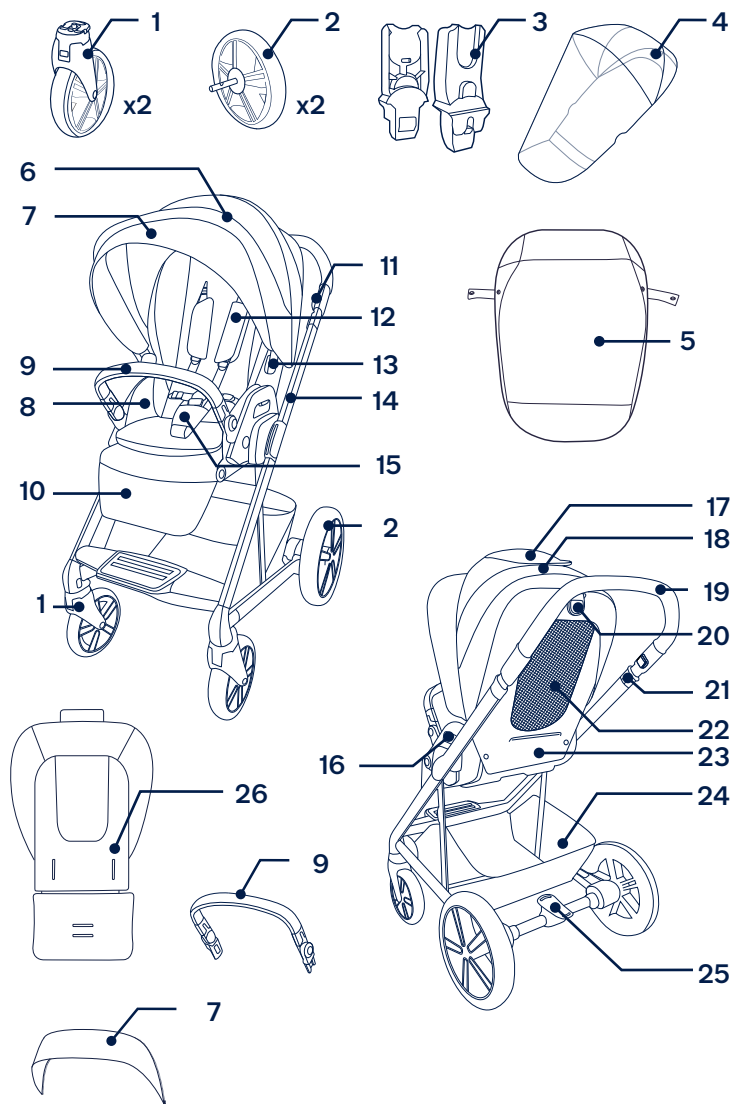
Liste des pièces

Assurez-vous que toutes les pièces sont présentes avant le montage.

Si une pièce est manquante, contactez votre revendeur local.
Le montage ne nécessite aucun outil.

! RISQUE D'ÉTOUFFEMENT : Retirez et jetez immédiatement les capuchons de protection de chaque roue et axe de moyeu de roue.

- | | |
|------------------------------------|---------------------------------------|
| 1 Roue avant (x2) | 15 Housse de boucle et d'entrejambe |
| 2 Roue arrière (x2) | 16 Bouton de déverrouillage du siège |
| 3 Adaptateur pour siège auto | 17 Fenêtre supérieure de la voile |
| 4 Housse de pluie | 18 Fenêtre arrière de la voile |
| 5 Tablier | 19 Poignée de la poussette |
| 6 Voilure | 20 Bouton de réglage de l'inclinaison |
| 7 Visière de la voile | 21 Bouton de pliage |
| 8 Assise de siège | 22 Ventilation de siège |
| 9 Barre de sécurité | 23 Poche de rangement |
| 10 Repose-mollets | 24 Panier de rangement |
| 11 Bouton de réglage de la poignée | 25 Levier de frein |
| 12 Coussins du harnais d'épaules | 26 Insert |
| 13 Attaches de la voile | |
| 14 Cadre de poussette | |



Ouverture de la poussette

- 1 - Ouvrez le loquet de rangement comme indiqué (1). Soulevez la poignée par les côtés et tournez-la vers l'arrière de la poussette. Vous entendrez un « clic » signifiant que le cadre de la poussette est complètement ouvert. (2)
 - 2 - Appuyez sur le bouton de réglage de l'inclinaison sur le dossier du siège et tournez le dossier en position verticale. (3)
- ! Vérifiez que la poussette est complètement ouverte avant de poursuivre.

Voilure

- 1 - Fermez la fermeture éclair de la visière de la voilure pour la fixer à l'intérieur de la voilure. (4)
- 2 - Insérez les attaches de la voilure dans les montants de la voilure sur les côtés de la poussette. Vous entendrez un « clic » signifiant que la voilure est complètement assemblée. (5)

Roues avant

- 1 - Insérez la roue avant dans le piètement avant. Vous entendrez un « clic » signifiant que la roue est complètement assemblée. (6) Répétez la manipulation sur le côté opposé.
- ! Assurez-vous que la roue est correctement attachée en tirant dessus.

- 2 - Pour enlever la roue avant, appuyez sur le bouton de déverrouillage (7)-1 et détachez la roue avant du piètement avant. (7)-2

Roues arrière

- 1 - Insérez la roue arrière dans le piètement arrière. Vous entendrez un « clic » signifiant que la roue arrière est complètement assemblée. Répétez la manipulation sur le côté opposé. (8)
- ! Assurez-vous que les roues sont correctement attachées en tirant dessus.
- 2 - Pour enlever la roue arrière, appuyez sur le bouton de déverrouillage (9)-1 et détachez la roue arrière du piètement arrière. (9)-2

Barre de sécurité

- ! Attachez toujours l'enfant avec le harnais. La barre de sécurité n'est pas un dispositif de retenue.
- 1 - Aligned les extrémités de la barre de sécurité avec les montants de la barre de sécurité et insérez-la jusqu'à ce qu'elle s'enclenche en place. Vous entendrez un « clic » signifiant que la barre de sécurité est complètement assemblée. (10)

- 2 - Pour retirer la barre de sécurité, appuyez sur les boutons de déverrouillage de la barre de sécurité (11)-1 et soulevez la barre de sécurité. (11)-2
 - 3 - Pour un pliage plus compact lorsque le siège est dos à la route, appuyez sur les boutons de réglage de la barre de sécurité (12)-1 et tournez la barre de sécurité vers le bas (12)-2 jusqu'à ce qu'elle s'enclenche en place.
- ! **N'UTILISEZ JAMAIS** la barre de sécurité en position abaissée/pliée lorsque l'enfant est dans la poussette.

La poussette complètement assemblée est illustrée sur l'image (13).

Vérification de l'installation

- Le cadre de la poussette est verrouillé ouvert
- Roues avant, roues arrière bien fixées
- Montant de la voilure fixé au cadre de la poussette et voilure fixée au coussin de siège
- La barre de sécurité est correctement attachée

Utilisation du produit

- ! Le frein de stationnement **DOIT** être engagé lorsque la poussette est arrêtée et lors du placement et du retrait de l'enfant.

Installation de votre enfant

- ! Utilisez toujours la ceinture de sécurité pour éviter que l'enfant se blesse gravement en tombant ou en glissant du siège. Assurez-vous que le harnais est correctement ajusté et que votre enfant est bien attaché. L'espace entre l'enfant et le harnais d'épaules doit faire environ l'épaisseur d'un doigt. **NE CROISEZ PAS** les ceintures d'épaules. Cela appliquerait une pression sur le cou de votre enfant.
- 1 - Appuyez sur le bouton central de la boucle pour déverrouiller le loquet de la boucle, enlevez les attaches et placez votre enfant dans la poussette. (14)
 - 2 - Raccordez la boucle d'épaules et la boucle de hanches. (15)
 - 3 - Fixez la boucle d'épaules et la boucle de hanches sur le loquet de la boucle et répétez la manipulation sur le côté opposé. (16)
 - 4 - Ajustez bien le harnais sur votre enfant en faisant coulisser les sangles d'ajustement pour le serrer (17)-1. Retirez ensuite les sangles d'ajustement de la taille (17)-2.

Position du harnais d'épaules

- 1 - Les boucles supérieures du harnais d'épaules peuvent être remontées et baissées pour un ajustement supplémentaire. (18)

Ceinture d'entrejambe

Identifiez l'emplacement de la ceinture d'entrejambe qui sera le plus adapté. Changez d'emplacement pour la ceinture si nécessaire.

- 1 - Les plus petits bébés utilisent cette position. **(19)-1**
- 2 - Les plus grands bébés utilisent cette position. **(19)-2**

Voilure

- 1 - Pour ouvrir la voilure, tirez-la vers l'avant du siège. Pour fermer la voilure, poussez-la en arrière. **(20)**
- 2 - Positionnez la visière de la voilure en avant ou en arrière selon le besoin. Lorsque vous ne l'utilisez pas, pliez la visière de la voilure sous la voilure. **(21)**
- 3 - Ouvrez la fermeture éclair sur la voilure pour obtenir davantage d'ombre et de ventilation. **(22)**
- 4 - Pour la ventilation, relevez le cache de la fenêtre supérieure de la voilure. **(23)**
- 5 - Pour une ventilation supplémentaire, relevez le cache de la fenêtre arrière de la voilure. **(24)**

Verrous de pivotement avant

Il est recommandé d'utiliser les verrous de pivotement avant sur les surfaces irrégulières.

- 1 - Appuyez **(25)-1** et tirez le verrou de pivotement avant **(25)-2** pour verrouiller la roue avant face à la route. Vous devrez peut-être déplacer la roue pour qu'elle se verrouille.
- 2 - Poussez le verrou de pivotement avant pour le déverrouiller. **(26)**

Frein

- 1 - Pour verrouiller les roues arrière, appuyez la zone rouge sur le levier de frein. **(27)**
 - 2 - Pour déverrouiller les roues arrière, appuyez sur la zone verte sur le levier de frein. **(28)**
- ! Enclenchez toujours le frein lorsque la poussette est arrêtée. Poussez légèrement la poussette pour vous assurer que le frein est enclenché.

Poignée

La poignée dispose de 3 positions.

- 1 - Pour régler la hauteur de la poignée, appuyez sur les boutons de réglage de la poignée **(29)-1** et tirez la poignée vers le haut ou le bas. **(29)-2**

Réglage de l'inclinaison

Il existe 5 positions d'inclinaison pour le dossier.

- 1 - Pour relever ou abaisser le dossier, appuyez sur le bouton de réglage de l'inclinaison et remontez ou baissez le siège. **(30)**

Repose-mollets

Le repose-mollets comprend 2 positions d'utilisation.

- 1 - Pour remonter le repose-mollets, soulevez. **(31)**
- 2 - Pour abaisser le repose-mollets, appuyez sur les boutons de réglage sur les côtés **(32)-1** et appuyez. **(32)-2**

Insert

L'insert peut être retiré pour obtenir une assise en maille, assurant une meilleure ventilation par temps chaud.

- 1 - Pour retirer l'insert, détachez le velcro de l'insert du dossier du siège, ouvrez le harnais, enfitez le harnais par les fentes du harnais et enlevez le coussin de siège. **(33)**

! **N'ENLEVEZ PAS** le tube du dossier.

Retourner le siège

Le siège peut être utilisé dos ou face à la route.

- 1 - Appuyez sur les boutons de déverrouillage du siège et soulevez-le. **(34)**
- 2 - Tournez le siège dans la direction opposée et placez-le sur les montants du siège jusqu'à ce qu'il s'enclenche en place. Vous entendrez un « clic » signifiant que le siège est fixé. **(35)**

! Assurez-vous que le siège est correctement attaché en tirant dessus.

Pliage

Avant de plier, poussez la voilure vers l'arrière de la poussette.

- 1 - Appuyez sur le bouton de réglage de l'inclinaison sur le dossier du siège **(36)-1** et tournez le dossier jusqu'à la position mémorisée. **(36)-2**
- 2 - Tirez sur les boutons de pliage **(37)-1** et poussez la poussette vers l'avant pour la plier. **(37)-2**
- 3 - Verrouillez la poussette en rabattant le loquet de rangement sur le support de rangement. **(38)**

Accessoires

Adaptateurs pour sièges auto

En cas d'utilisation de la poussette avec un siège bébé Nuna, veuillez consulter les instructions suivantes.

- 1 - Pour fixer les adaptateurs, placez les adaptateurs sur les montants du siège comme indiqué. Vous entendrez un « clic » signifiant que les adaptateurs sont verrouillés. **(39)**
- 2 - Pour fixer le siège bébé, placez le siège bébé sur les adaptateurs comme indiqué **(40)**, un **décllic** indique que le siège bébé est verrouillé. **(41)**
- 3 - L'angle du siège bébé peut être réglé avec nos adaptateurs réglables. **(42)**
- 4 - Pour retirer le siège bébé, soulevez le siège bébé **(43)-2** tout en appuyant sur les boutons de déverrouillage de la poussette. **(43)-1**
- 5 - Pour retirer les adaptateurs, soulevez les adaptateurs **(44)-2** tout en éliminant l'espace supplémentaire en tirant les boutons de déverrouillage. **(44)-1**

Tablier

Le tablier souple peut procurer à votre enfant un environnement chaleureux et confortable.

- 1 - Placez le tablier sur le siège, fixez les attaches sur le tablier et le siège **(45)-1**, répétez la manipulation sur le côté opposé.
- 2 - Le tablier assemblé est présenté en **(45)**.

Housse de pluie

Vérifiez que la voilure est complètement ouverte avant d'attacher la housse de pluie.

1 - Pour assembler la housse de pluie, placez-la par-dessus la poussette. **(46)**

! Vérifiez **TOUJOURS** la ventilation lorsque la housse de pluie est placée sur le produit.

Vérifiez **TOUJOURS** que la housse de pluie a été nettoyée et séchée avant le pliage.

NE PLIEZ PAS la poussette lorsque la housse de pluie est attachée.

NE PLACEZ PAS votre enfant dans la poussette par temps chaud avec la housse de pluie attachée.

Nettoyage et entretien

Nettoyez le cadre, les pièces en plastique et le tissu à l'aide d'un chiffon humide, mais n'utilisez pas d'abrasifs ou d'eau de Javel. N'utilisez pas de lubrifiants à base de silicone, car ils attirent la saleté et la crasse. Ne rangez pas votre poussette dans un endroit humide.

Nettoyez régulièrement les roues de la poussette avec de l'eau et retirez la saleté.

Pour garantir une longue durée d'utilisation, essayez ce produit avec un chiffon doux et absorbant après l'avoir utilisé par temps pluvieux.

Consultez l'étiquette d'entretien apposée sur le tissu pour obtenir les instructions de lavage et de séchage.

La coloration du tissu exposé au soleil est normale, tout comme les signes d'usure et de déchirement après une longue période d'utilisation, même normale.

Pour des raisons de sécurité, n'utilisez que les pièces Nuna originales.

Vérifiez régulièrement si tout fonctionne correctement. Si des pièces sont déchirées, endommagées ou manquantes, arrêtez d'utiliser ce produit.

**WICHTIG!
SORGFÄLTIG LESEN
UND ZUR KÜNFTIGEN
BEZUGNAHME
AUFBEWAHREN**

Inhalt

Produktdaten	43
Produktregistrierung	
Garantie	
Kontakt	
Anforderungen an die Nutzung mit Kind	44
Warnhinweise	45
Teileliste	49
Produkt aufbauen	51
Produkt verwenden	54
Zubehör	58
Autositzadapter	
Schurz	
Regenschutz	
Reinigung und Wartung	60

Produktdaten

Modellnummer: _____

Fertigungsdatum: _____

Produktregistrierung

Bitte füllen Sie die obigen Informationen aus. Modellnummer und Fertigungsdatum befindet sich auf einem Schild an der Unterseite des Kinderwagengestells.

Bitte registrieren Sie Ihr Produkt unter:

www.nunababy.com

Klicken Sie auf der Startseite auf den „Ausrüstung registrieren“-Link.

Garantie

Wir haben unsere hochwertigen Produkte so entwickelt, dass Sie mit Ihrem Kind und Ihrer Familie wachsen. Da wir uns durch unsere Produkte hervorheben, ist unser Sortiment je nach Produkt durch eine angepasste Garantie ab Kaufdatum abgedeckt. Bitte halten Sie bei Kontaktaufnahme mit uns Kaufbeleg, Modellnummer und Fertigungsdatum bereit.

Garantieinformationen finden Sie unter:

www.nunababy.com

Klicken Sie auf der Startseite auf den „Garantie“-Link.

Kontakt

Wenden Sie sich für Ersatzteile, Service und weitere Garantiefragen an unseren Kundendienst.

info@nunababy.com

www.nunababy.com

Anforderungen an die Nutzung mit Kind

Dieser Kinderwagen eignet sich für Kinder, die folgende Anforderungen erfüllen:

Geburt bis 22 kg oder 4 Jahre, je nachdem, was zuerst eintritt

Wenn Sie den Kinderwagenrahmen mit der Babytragetasche MIXX oder der Babywanne Nuna verwenden, lesen Sie die in der Bedienungsanleitung aufgeführten Anforderungen an die Nutzung für Kinder.

WARNUNG

Nichtbeachtung dieser Warnungen und Anweisungen könnte zu schweren Verletzungen oder zum Tode führen.

Verwenden Sie immer das Ruckhaltesystem.

Vergewissern Sie sich vor der Verwendung, dass der Kinderwagenaufsatz oder der Sitzeinheit oder die Befestigungselemente des Autositzes korrekt eingerastet sind.

Lassen Sie das Kind nicht mit dem Produkt spielen.

Vergewissern Sie sich vor Gebrauch, dass alle Verriegelungen eingerastet sind.

Lassen Sie das Kind nie unbeaufsichtigt.

Dieses Produkt ist nicht zum Joggen oder Skaten geeignet.

Vergewissern Sie sich, dass das Kind beim Aufklappen und Zusammenklappen des Wagens auser Reichweite ist, um Verletzungen zu vermeiden.

Nicht vom Hersteller zugelassenes Zubehör sollte nicht verwendet werden. Es dürfen nur Ersatzteile verwendet werden, die vom Hersteller/Vertreiber geliefert oder empfohlen werden.

Das Produkt muss von einem Erwachsenen montiert werden.

Verwenden Sie **IMMER** die Feststellbremse, wenn Sie anhalten.

Jegliche durch den Einsatz von Zubehörteilen, die nicht von Nuna bereitgestellt wurden, verursachten Schäden werden nicht durch die Garantie abgedeckt.

Jede Last, die am Griff und/oder an der Rückseite der Rückenlehne und/oder an den Seiten des Fahrzeugs befestigt ist, beeinträchtigt die Stabilität des Fahrzeugs.

Achten Sie darauf, dass der Kinderwagen vollständig montiert und verriegelt ist, bevor Sie Ihr Kind in die Nähe des Kinderwagens lassen.

Transportieren Sie **KEINE** zusätzlichen Kinder, Waren, Zubehörteile im oder auf dem Kinderwagen, sofern dies in dieser Anleitung nicht erlaubt ist. Andernfalls kann der Kinderwagen instabil werden.

Lassen Sie den Kinderwagen **NICHT** in der Nähe von Hitzequellen wie Heizungen oder offenem Feuer stehen.

Legen Sie **NICHTS** auf das Verdeck.

Bewahren Sie den Kinderwagen **NICHT** an einem feuchten Ort auf. Lassen Sie die Textilien immer auf natürliche Weise trocknen, ohne direkte Hitzeeinwirkung.

Verwenden Sie den Ablagekorb **NICHT** als Kindersitz.

Verwenden Sie den Kinderwagen **NICHT**, falls irgendwelche Teile beschädigt sind oder fehlen.

Bei Autositzen, die in Verbindung mit einem Untergestell verwendet werden, ersetzt dieses Fahrzeug kein ein Gitter- bzw. Babybett. Falls Ihr Kind müde ist, sollten Sie es in einen geeigneten Kinderwagen, ein Gitter- bzw. Babybett legen.

Halten Sie Kleinteile von Kindern fern; es besteht Verschluckungsgefahr.

Achten Sie auf Bordsteine und Bodenunebenheiten. Wiederholte Erschütterungen können den Kinderwagen beschädigen.

Lassen Sie Kinder **NIEMALS** auf dem Kinderwagen stehen.

Transportieren Sie in dem Kinderwagen **NIE** mehr als einem Kind gleichzeitig.

Transportieren Sie den Kinderwagen **NIEMALS** über Treppenstufen oder Rolltreppen. Sie könnten plötzlich die Kontrolle über den Kinderwagen verlieren und Ihr Kind könnte herausfallen.

Der Gurt muss immer richtig angebracht und angepasst werden. Der Gurt ist kein Ersatz für angemessene elterliche Aufsicht.

Nutzen Sie die Feststellbremse, wenn Sie das Kind hineinlegen oder herausnehmen.

Überlastung, falsches Aufklappen und der Einsatz von Zubehörteilen wie Kindersitzen, Taschenhaken, Regenschutzabdeckungen, Buggyhalterungen etc., die nicht von Nuna zugelassen sind, können der Kinderwagen beschädigen und Gefahren verursachen.

Gummireifen können schwarze Spuren auf glatten Oberflächen, wie Parkett, Laminat und Linoleum hinterlassen.

STRANGULATIONSGEFAHR Legen Sie keine Gegenstände mit einer Schnur um den Hals Ihres Kindes, hängen Sie keine Schnüre an diesem Produkt auf, bringen Sie keine Schnüre an Spielzeugen an.

Vermeiden Sie Erstickengefahr, indem Sie vor Benutzung des Produktes sämtliche Kunststoffabdeckungen entfernen und zerstören oder außerhalb der Reichweite von Kindern aufbewahren!

Beladen Sie den Einkaufskorb zur Vermeidung von Gefahren und Instabilität nicht mit mehr als 4,5 kg und die Aufbewahrungstasche nicht mit mehr als 0,45 kg.

Verwenden Sie bei Neugeborenen die am stärksten geneigte Position.

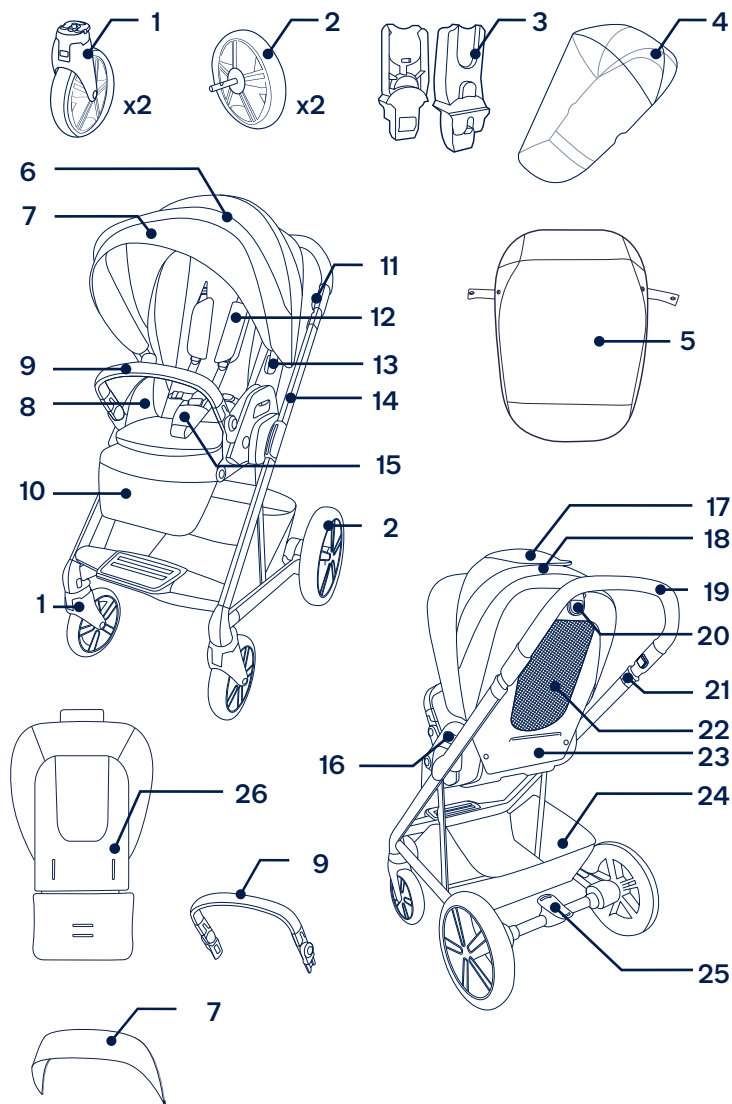
Verwenden Sie den Kinderwagen für ein Kind, das maximal 22 kg wiegt. Der Kinderwagen wird beschädigt, wenn ein Kind nicht gut hineinpasst.

Teileliste

Überprüfen Sie vor der Montage, ob alle Teile vorhanden sind. Falls etwas fehlen sollte, wenden Sie sich an Ihren Händler vor Ort. Für die Montage werden keine Werkzeuge benötigt.

! VERSCHLUCKUNGSGEFAHR: Entfernen und entsorgen Sie umgehend alle Abschlusschutzkappen von Rädern und Radachse.

- | | |
|------------------------|-----------------------------------|
| 1 Vorderrad (x2) | 15 Verschluss- und Schrittpolster |
| 2 Hinterrad (x2) | 16 Sitzfreigabeknopf |
| 3 Autositzadapter | 17 Oberes Verdeckfenster |
| 4 Regenschutz | 18 Hinteres Verdeckfenster |
| 5 Schutz | 19 Kinderwagengriff |
| 6 Verdeck | 20 Neigungseinstellknopf |
| 7 Verdeckvisier | 21 Zusammenklappknopf |
| 8 Sitzauflage | 22 Sitzbelüftung |
| 9 Armlehne | 23 Aufbewahrungstasche |
| 10 Wadenstütze | 24 Ablagekorb |
| 11 GriffEinstellknopf | 25 Bremshebel |
| 12 Schultergurtpolster | 26 Einsatz |
| 13 Verdeckklemmen | |
| 14 Kinderwagengestell | |



Produkt aufbauen

DE Kinderwagen auseinanderklappen

- 1 - Öffnen Sie den Aufbewahrungsriegel wie abgebildet **(1)**. Heben Sie den Griff an den Seiten an und drehen Sie ihn zur Rückseite des Kinderwagens. Ein **Klicken** macht Sie darauf aufmerksam, dass der Kinderwagenrahmen vollständig aufgeklappt wurde. **(2)**
 - 2 - Drücken Sie den Neigungsverstellknopf an der Rückseite des Sitzes und drehen Sie die Rückenlehne in die aufrechte Position. **(3)**
- ! Prüfen Sie vor der weiteren Benutzung, ob der Kinderwagen vollständig geöffnet ist.

Verdeck

- 1 - Schließen Sie den Reißverschluss des Verdeckvisiers an der Innenseite des Verdecks. **(4)**
- 2 - Stecken Sie die Verdeckklemmen in die Verdeckhalterungen an den Seiten des Kinderwagens. Ein **Klickgeräusch** weist darauf hin, dass das Verdeck vollständig montiert ist. **(5)**

Vorderräder

- 1 - Vorderrad in das vordere Bein einsetzen. Ein **Klickgeräusch** weist darauf hin, dass das Rad vollständig montiert ist. **(6)** Auf der anderen Seite wiederholen.
- ! Durch Ziehen nach außen prüfen, ob das Rad sicher befestigt ist.

- 2 - Drücken Sie zum Entfernen des Vorderrads den Freigabeknopf **(7)**-1 und lösen Sie das Vorderrad vom vorderen Bein. **(7)**-2

Hinterräder

- 1 - Hinterrad in das hintere Bein einsetzen. Ein **Klickgeräusch** weist darauf hin, dass das Hinterrad vollständig montiert ist. Auf der anderen Seite wiederholen. **(8)**
- ! Prüfen Sie durch Ziehen nach außen, ob die Räder sicher befestigt sind.
- 2 - Drücken Sie zum Entfernen des Hinterrads den Freigabeknopf **(9)**-1 und lösen Sie das Hinterrad vom hinteren Bein. **(9)**-2

Armlehne

- ! Sichern Sie das Kind immer mit dem Gurt. Die Armlehne ist keine Rückhaltevorrichtung.
- 1 - Richten Sie die Armlehnenenden an den Armlehenhalterungen aus und stecken Sie sie so ein, dass sie hörbar einrasten. Ein **Klickgeräusch** weist darauf hin, dass die Armlehne vollständig montiert ist. **(10)**
 - 2 - Entfernen Sie die Armlehne, indem Sie die Armlehen-Freigabeknöpfe **(11)**-1 ziehen und die Armlehne nach oben ziehen. **(11)**-2
 - 3 - Drücken Sie bei nach hinten gerichtetem Sitz zum kompakteren Zusammenklappen die Einstellknöpfe **(12)**-1 der Armlehne und drehen Sie die Armlehne nach unten **(12)**-2, bis sie einrastet.

- ! Verwenden Sie die Armlehne **NIEMALS** in abgesenkter/ zusammengeklappter Position, wenn ein Kind im Kinderwagen sitzt.

Abbildung (13) zeigt den vollständig montierten Kinderwagen.

Montage prüfen

- Kinderwagengestell ist geöffnet und verriegelt
- Vorderräder, Hinterräder sicher befestigt
- Verdeckhalterung ist am Kinderwagengestell angebracht und Verdeck ist mit der Sitzauflage verbunden
- Armlehne ist sicher befestigt

Produkt verwenden

- ! Die Feststellbremse **MUSS** betätigt werden, wenn der Kinderwagen gestoppt, das Kind hineingesetzt oder herausgenommen wird.

Ihr Kind sichern

- ! Verwenden Sie stets den Sicherheitsgurt, um Verletzungen durch Herausfallen oder Herausrutschen zu vermeiden. Stellen Sie sicher, dass der Gurt richtig angepasst und Ihr Kind zuverlässig gesichert ist. Der Abstand zwischen dem Kind und dem Schulterriemen sollte etwa die Dicke eines Fingers betragen. Kreuzen Sie die Schultergurte **NICHT**. Dadurch wird Druck im Nacken des Kindes erzeugt.
- 1** - Drücken Sie zum Lösen den mittleren Knopf am Verschluss, entfernen Sie die Klemmen und setzen Sie Ihr Kind in den Kinderwagen. **(14)**
 - 2** - Verbinden Sie Schulter- und Hüftverschluss. **(15)**
 - 3** - Sichern Sie Schulter- und Hüftverschluss an der Verschlusslasche und wiederholen Sie den Vorgang auf der gegenüberliegenden Seite. **(16)**
 - 4** - Legen Sie den Gurt eng an Ihr Kind an, indem Sie die Verstellriemen festziehen **(17)-1**. Ziehen Sie dann die Schrittverstellriemen heraus **(17)-2**.

Schultergurt positionieren

- 1** - Die oberen Schultergurtverschlüsse können zur Anpassung nach oben und unten verschoben werden. **(18)**

Schrittgurt

Ermitteln Sie den Schrittgurtschlitz, der eine gute Passform garantiert. Nehmen Sie bei Bedarf einen anderen Schrittgurtschlitz.

- 1 - Kleinere Babys nutzen diese Position. (19)-1
- 2 - Größere Babys nutzen diese Position. (19)-2

Verdeck

- 1 - Öffnen Sie das Verdeck, indem Sie das Verdeck zur Vorderseite des Sitzes ziehen. Drücken Sie es nach hinten, um es zu schließen. (20)
- 2 - Positionieren Sie das Verdeckvisier je nach Bedarf vorne oder hinten. Klappen Sie das Verdeckvisier unter das Verdeck, falls es nicht gebraucht wird. (21)
- 3 - Öffnen Sie den Reißverschluss am Verdeck für zusätzlichen Schatten und Belüftung. (22)
- 4 - Klappen Sie die obere Verdeckfensterabdeckung zur Belüftung nach oben. (23)
- 5 - Klappen Sie die hintere Verdeckfensterabdeckung zur zusätzlichen Belüftung nach oben. (24)

Vordere Lenkstopps

Die vorderen Lenkstopps empfehlen sich auf unebenem Untergrund.

- 1 - Drücken Sie (25)-1 und ziehen Sie die vordere Schwenk Sperre (25)-2 zur Verriegelung des Vorderrads in der Vorwärtsausrichtung. Möglicherweise müssen Sie das Rad bewegen, damit es einrastet.
- 2 - Drücken Sie den vorderen Lenkstopp nach innen. (26)

Bremse

- 1 - Verriegeln Sie die Hinterräder, indem Sie auf den Bremshebel im roten Bereich treten. (27)
 - 2 - Entriegeln Sie die Hinterräder, indem Sie auf den Bremshebel im grünen Bereich treten. (28)
- ! Betätigen Sie die Bremse, wenn der Kinderwagen gestoppt ist. Drücken Sie leicht gegen den Kinderwagen, um sicherzustellen, dass die Bremse aktiviert ist.

Griff

Der Griff hat 3 Positionen.

- 1 - Passen Sie die Griffhöhe an, indem Sie die Griffstellknöpfe (29)-1 und den Griff nach oben oder unten ziehen. (29)-2

Neigungsanpassung

Die Rückenlehne hat 5 Neigungspositionen.

- 1 - Sie können die Rückenlehne anheben oder absenken, indem Sie den Neigungseinstellknopf drücken und den Sitz nach oben oder unten ziehen. (30)

Wadenstütze

Die Wadenstütze besitzt 2 Einstellpositionen.

- 1 - Drücken Sie die Wadenstütze zum Anheben nach oben. (31)
- 2 - Senken Sie die Wadenstütze ab, indem Sie den Einstellknopf an den Seiten (32)-1 drücken und nach unten drücken. (32)-2

Einsatz

Der Einsatz kann zur Bereitstellung einer Netzsitzfläche für bessere Belüftung an heißen Tagen entfernt werden.

- 1 - Entfernen Sie den Einsatz, indem Sie den Klettverschluss am Einsatz von der Rückseite des Sitzes lösen, den Gurt öffnen, den Gurt durch die Gurtschlitze fädeln und das Sitzpolster entfernen. **(33)**

! Entfernen Sie das Rückenlehnenrohr **nicht**.

Sitz umkehren

Der Sitz kann nach vorne oder nach hinten gerichtet verwendet werden.

- 1 - Drücken Sie die Sitzfreigabekнопfe zusammen und heben Sie den Sitz an. **(34)**
- 2 - Drehen Sie den Sitz verkehrt herum und platzieren Sie ihn an den Sitzhalterungen, sodass er einrastet. Ein **Klickgeräusch** weist darauf hin, dass der Sitz angebracht ist. **(35)**

! Stellen Sie sicher, dass der Sitz richtig befestigt sind, indem Sie daran ziehen.

Zusammenklappen

Drücken Sie das Verdeck vor dem Zusammenklappen zur Rückseite des Kinderwagens.

- 1 - Drücken Sie den Neigungsverstellknopf an der Rückseite des Sitzes **(36)-1** und drehen Sie die Rückenlehne in die Aufbewahrungsposition. **(36)-2**

- 2 - Ziehen Sie die Zusammenklappknöpfe **(37)-1** nach oben und drücken Sie den Kinderwagen zum Zusammenklappen nach vorne. **(37)-2**

- 3 - Verriegeln Sie den Kinderwagen, indem Sie den Aufbewahrungsriegel in die Aufbewahrungshalterung stecken. **(38)**

Zubehör

Autositzadapter

Bitte beachten Sie bei Verwendung des Kinderwagens mit Nuna-Babyschalen die folgenden Anweisungen.

- 1 - Bringen Sie die Adapter an, indem Sie sie wie abgebildet an den Sitzhalterungen platzieren. Ein **Klickgeräusch** zeigt an, dass die Adapter eingerastet sind. **(39)**
- 2 - Bringen Sie die Babyschale an, indem Sie die Babyschale wie abgebildet an den Adaptern platzieren **(40)**. Ein **Klickgeräusch** zeigt an, dass die Babyschale eingerastet ist. **(41)**
- 3 - Der Winkel der Babyschale kann mit unseren verstellbaren Adaptern angepasst werden. **(42)**
- 4 - Entfernen Sie die Babyschale, indem Sie die Babyschale nach oben ziehen **(43)-2**, während Sie die Kinderwagenfreigabekнопfe gedrückt halten. **(43)-1**
- 5 - Entfernen Sie die Adapter, indem Sie die Adapter nach oben ziehen **(44)-2**, während Sie an den Freigabekнопfen ziehen. **(44)-1**

Kinderwagen-Schurz

Der weiche Schurz bietet Ihrem Kind eine warme, gemütliche Umgebung.

- 1 - Platzieren Sie den Schurz über dem Sitz, befestigen Sie die Druckknöpfe an Schurz und Sitz **(45)-1**, und wiederholen Sie dies auf der anderen Seite.
- 2- Der angebrachte Schurz wird in **(45)** gezeigt.

Regenschutz

Prüfen Sie, ob das Verdeck vollständig geöffnet ist, bevor Sie den Regenschutz anbringen.

- 1 - Bringen Sie den Regenschutz an, indem Sie ihn über dem Kinderwagen platzieren. **(46)**
- ! Prüfen Sie **STETS** die Belüftung, wenn der Regenschutz am Produkt angebracht ist.
- Achten Sie **IMMER** darauf, den Regenschutz vor dem Einsatz zu reinigen und zu trocknen.
- Klappen Sie den Kinderwagen **NICHT** zusammen, während der Regenschutz angebracht ist.
- Setzen Sie Ihr Kind an heißen Tagen **NICHT** in den Kinderwagen, wenn der Regenschutz angebracht ist.

Reinigung und Wartung

Reinigen Sie Gestell, Kunststoffteile und Textilien mit einem feuchten Tuch. Verzichte Sie auf Scheuer- und Bleichmittel. Verwenden Sie keine Silikonöle, da diese Schmutz und Dreck anziehen. Bewahren Sie Ihren Kinderwagen nicht an einem feuchten Ort auf.

Reinigen Sie die Räder des Kinderwagens regelmäßig mit Wasser, entfernen Sie den Schmutz.

Zur Gewährleistung einer langen Einsatzzeit Ihres Produktes sollten Sie es nach Benutzung bei Regenwetter mit einem weichen, saugfähigen Tuch abwischen.

Beachten Sie zum Waschen und Trocknen das Pflegeetikett an den Stoffen.

Es ist selbst bei gewöhnlichem Gebrauch normal, dass Textilien nach langer Benutzung durch Sonnenlicht verblassen und Verschleißerscheinungen aufweisen.

Verwenden Sie aus Sicherheitsgründen nur Nuna-Originalteile.

Prüfen Sie regelmäßig, ob alles richtig funktioniert. Verwenden Sie das Produkt nicht länger, falls Teile verschlissen oder beschädigt sind oder fehlen.

**BELANGRIJK!
AANDACHTIG LEZEN
EN BEWAREN VOOR
LATER GEBRUIK**

Inhoud

Productinformatie	63
Productregistratie	
Garantie	
Contact	
Vereisten kindergebruik	64
Waarschuwingen	65
Onderdelenlijst	69
Installeren product	71
Gebruik product	73
Accessoires	77
Adapter autozitje	
Schort	
Regenkap	
Reiniging en onderhoud	79

Productinformatie

Modelnummer: _____

Fabricagedatum: _____

NL

Productregistratie

Vul de bovenstaande informatie in. Het model en de fabricagedatum bevinden zich op een etiket onderop het frame van de kinderwagen.

Ga voor het registreren van uw product naar:

www.nunababy.com

Klik op de link "Uitrusting registreren" op de homepage.

Garantie

Wij hebben onze hoogwaardige producten opzettelijk zo ontworpen dat ze kunnen mee kunnen groeien met zowel uw kind als uw familie. Omdat wij achter ons product staan, wordt onze uitrusting gedekt door een aangepaste garantie per product, beginnend op de dag van aanschaf. Houd het aankoopbewijs, het modelnummer en de fabricagedatum klaar als u contact met ons opneemt.

Ga voor garantie-informatie naar:

www.nunababy.com

Klik op de link "Garantie" op de homepage.

Contact

Neem contact op met onze klantenservice-afdelingen voor vervangende onderdelen, service of aanvullende vragen over de garantie.

info@nunababy.com

www.nunababy.com

Vereisten kindergebruik

Deze wandelwagen is geschikt voor gebruik met kinderen die aan de volgende eisen voldoen:

geboorte tot 22 kg of 4 jaar, als dat zich eerder voordoet.

Bij gebruik van het kinderwagenframe met de MIXX-draagwieg of Nuna-babyzitjes moet u de vereisten voor kindergebruik in deze handleidingen volgen.

NL

⚠️ WAARSCHUWING

Niet-naleving van de waarschuwingen en de instructies kan ernstig letsel of de dood veroorzaken.

NL

Altijd het veiligheidstuigje gebruiken.

Controleer voor gebruik of het wiegje, het kinderwagenzitje, of het autostoeltje goed vast zit op het kinderwagenchassis.

Laat het kind niet met dit product spelen.

Zorg ervoor dat alle vergrendelingsmechanismes vast zitten voor dat je het product gebruikt.

Nooit het kind zonder toezicht laten.

Dit product is niet geschikt om mee hard te lopen of te skeeleren.

Zorg ervoor dat het kind uit de buurt is tijdens het in- en uitklappen van het product om letsel te voorkomen.

Gebruik geen toebehoren die niet door de fabrikant zijn goedgekeurd. Gebruik uitsluitend vervangende onderdelen die zijn geleverd of aanbevolen door de fabrikant/distributeur.

Montage door volwassene vereist.

ALTIJD op de handrem zetten als u stopt.

Alle schade als gevolg van het gebruik van accessoires die niet door Nuna zijn geleverd, wordt niet gedekt door de garantie.

Elke last bevestigd aan de greep of op de achterkant van de rugsteun of de zijkanten van het voertuig beïnvloeden de stabiliteit van het voertuig.

Zorg ervoor dat de kinderwagen volledig geopend en vergrendeld is voordat u uw kind in de buurt laat komen.

Vervoer **GEEN** extra kinderen, goederen, accessoires in of aan deze wandelwagen behalve op de manier zoals toegestaan in deze handleiding. Hierdoor kan de wandelwagen instabiel worden.

NIET de wandelwagen laten staan in de buurt van een krachtige warmtebron zoals een kachel of open vuur.

NIETS op de kap leggen.

Bewaar de wandelwagen **NIET** in een vochtige omgeving. Laat het materiaal altijd op natuurlijke wijze drogen, uit de buurt van warmtebronnen.

De opbergmand **NIET** gebruiken om een kind in te plaatsen.

De wandelwagen **NIET** gebruiken bij gebroken of ontbrekende onderdelen.

Voor autostoeltjes die gebruikt worden in combinatie met een chassis, vervangt dit voertuig geen draagwieg of bed. Als uw kind moet slapen, moet u het in een geschikte kinderwagen, wieg of bed leggen.

Houd kleine onderdelen uit de buurt van kinderen want deze vormen een gevaar voor verstikking.

NL

Wees voorzichtig bij stoepranden en ongelijkmatige grond. Herhaalde schokken zouden de wandelwagen kunnen beschadigen.

Laat kinderen **NOOIT** op de wandelwagen staan.

NL **NOOIT** meerdere kinderen tegelijk in de wandelwagen meevoeren.

Gebruik de wandelwagen **NOOIT** op trappen of roltrappen. U kunt plotseling de controle over de wandelwagen verliezen of uw kind kan eruit vallen.

De gordels moeten altijd goed zijn vastgezet en ingesteld. De gordels zijn geen vervanging voor toezicht van een volwassene.

Bij het plaatsen en verwijderen van het kind moet de parkeerrem geactiveerd zijn.

Overbelasten, onjuist opvouwen, en het gebruik van accessoires zoals kinderzitjes, tashaken, regenkappen, meerijdplankjes, enz. anders dan goedgekeurd door Nuna, kunnen deze wandelwagen beschadigen of onveilig maken.

Rubberbanden kunnen zwarte strepen achterlaten op gladde oppervlakken zoals parket, laminaat en linoleum.

GEVAAR VOOR VERSTIKKING Geen voorwerpen met een koord rond de hals van uw kind hangen, de koorden van dit product laten hangen of koorden aan speelgoed bevestigen.

Om gevaar voor verstikking te voorkomen, moet u alle plastic afdekkingen verwijderen voordat u dit product gebruikt en deze vernietigen of uit de buurt van baby's en kinderen houden.

Om een gevaarlijke en instabiele conditie te vermijden, moet u niet meer dan 4,5 kg in de opbergmand plaatsen, en nekt meer dan 0,45 kg in de opbergzak.

GEBRUIK de meest achteroverhellende stand voor jonge baby's.

Gebruik de wandelwagen voor een kind dat niet meer dan 22 kg weegt. Als het kind niet past, kan dit de wandelwagen beschadigen.

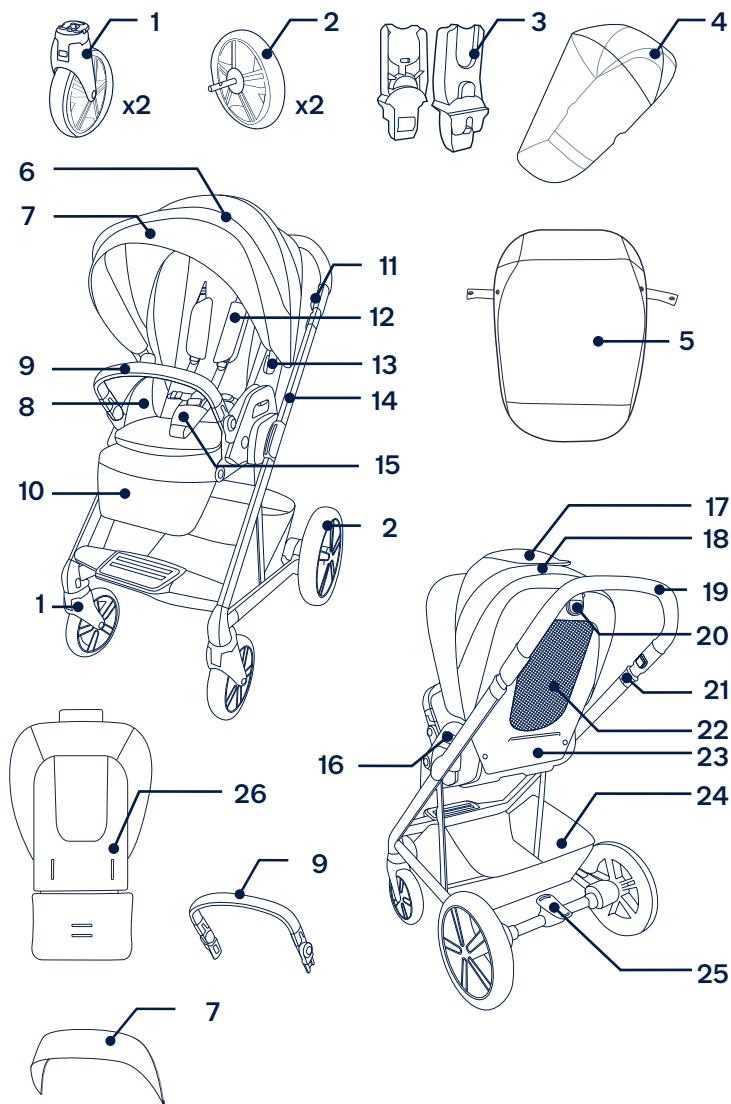
NL

Onderdelenlijst

Zorg dat alle onderdelen voor het opslaan droog zijn. Als er items ontbreken of beschadigd zijn, kunt u contact opnemen met uw leverancier. Voor de montage is geen gereedschap nodig.

! GEVAAR VOOR VERSTIKKING: Beschermende einddoppen direct van elk wiel en wielnaaf verwijderen en weggooien.

- | | |
|--------------------------|---------------------------------|
| 1 Voorwiel (x2) | 15 Gesp en kruisafdekking |
| 2 Achterwiel (x2) | 16 Ontgrendelknop zitje |
| 3 Adapter autozitje | 17 Bovenraampje van de kap |
| 4 Regenkap | 18 Achterraampje van de kap |
| 5 Schort | 19 Handgreep van de wandelwagen |
| 6 Kap | 20 Instelknop schuine stand |
| 7 Kapklep | 21 Opvouwknop |
| 8 Zitkussen | 22 Ventilatie zitje |
| 9 Armsteun | 23 Opbergzak |
| 10 Kuitsteun | 24 Opbergmand |
| 11 Instelknop handgreep | 25 Remgreep |
| 12 Schoudergordelkussens | 26 Inzetstuk |
| 13 Klemmen van de kap | |
| 14 Wandelwagenframe | |



Installeren

Open kinderwagen

- 1 - Open de opberggrendel als getoond (1). Trek omhoog aan de hendel vanaf de zijkanten en draai naar de achterkant van de kinderwagen. Een “klikkend” geluid betekent dat het frame van de kinderwagen volledig is opgevouwen. (2)
 - 2 - Knijp in de instelknop schuine stand op de achterkant van het zitje en draai de rugsteun naar de stand rechtop. (3)
- ! Controleer of de wandelwagen volledig open is gezet voor u doorgaat.

Kap

- 1 - Rits de kapklep aan de binnenkant van de kap. (4)
- 2 - Steek de klemmen van de kap in de kapmontages aan de zijkanten van de wandelwagen. Een “klik”-geluid betekent dat de kap volledig bevestigd is. (5)

Voorwielen

- 1 - Steek het voorwiel in de voorste poot. Een “klik”-geluid betekent dat het wiel volledig bevestigd is. (6) Herhaal dit aan de andere kant.
- ! Controleer of het wiel goed vastzit door het naar buiten te trekken.
- 2 - Om het voorwiel te verwijderen: druk op de ontgrendelknop (7)-1 en maak het voorwiel los van de voorpoot. (7)-2

Achterwielen

- 1 - Steek het achterwiel in de achterste poot. Een “klik”-geluid betekent dat het achterwiel volledig bevestigd is. Herhaal dit aan de andere kant. (8)
- ! Controleer of de wielen goed vastzitten door ze naar buiten te trekken.
- 2 - Om het achterwiel te verwijderen: druk op de ontgrendelknop (9)-1 en maak het achterwiel los van de achterpoot. (9)-2

Armsteun

- ! Zet het kind altijd vast met de gordel. De armsteun is geen bevestigingsmiddel.
- 1 - Lijn de armsteun uit met de armsteunbeugels en steek hem er in tot hij op zijn plaats klikt. Een “klik”-geluid betekent dat de armsteun volledig bevestigd is. (10)
 - 2 - Om de armsteun te verwijderen, knijpt u de ontgrendelknoppen in (11)-1 en tilt u de armsteun op. (11)-2
 - 3 - Voor meer compact opvouwen wanneer het zitje achteruit is gericht, drukt u op de instelknoppen van de armsteun (12)-1 en draait u de armsteun omlaag (12)-2 totdat het op de plaats klikt.
- ! Gebruik de armsteun **NOOIT** in de stand omlaag/opgevouwen wanneer het kind in de wandelwagen zit.

De volledig gemonteerde wandelwagen wordt afgebeeld in (13).

Controleer de installatie

- Het frame van de kinderwagen is geopend en vergrendeld
- De voorwielen, achterwielen zijn stevig bevestigd
- De kapsteun is op het frame van de kinderwagen bevestigd en de kap is bevestigd aan het zitkussen
- De armsteun is stevig bevestigd

Gebruik product

- ! De handrem **MOET** zijn aangetrokken wanneer de wandelwagen is gestopt en bij het plaatsen en verwijderen van het kind.

Uw kind beveiligen

- ! Om ernstig letsel te vermijden door vallen of uit de wagen glijden, moet u altijd de riemen gebruiken. Zorg er voor dat de riemen goed zijn afgesteld en dat uw kind stevig vast zit. De ruimte tussen het kind en de schouderriemen moet ongeveer de dikte van een vinger zijn. De schouderriemen **NIET** kruisen. Dat veroorzaakt druk op de nek van het kind.
- 1 - Druk de middelste knop op de gesp in om de gesp los te maken, verwijder de klemmen en zet uw kind in de kinderwagen. **(14)**
 - 2 - Maak de schoudergesp en heupgesp vast. **(15)**
 - 3 - Zet de schoudergesp en heupgesp vast op de gespbeugel en herhaal dit aan de andere kant. **(16)**

- 4 - Pas de gordels strak om uw kind door de instelbandjes te schuiven om vast te maken **(17)-1**. Trek vervolgens de taille-instelbandjes naar buiten **(17)-2**.

Positie schouderriemen

- 1 - De bovenste schouderriemgespen kunnen omhoog en omlaag worden geschoven voor een nauwkeuriger afstelling. **(18)**

Kruisband

Zoek de sleuf voor de kruisband die zal zorgen voor een comfortabele pasvorm. Wijzig de sleuf van de kruisband indien dat nodig is.

- 1 - Deze positie is geschikt voor kleinere baby's. **(19)-1**
- 2 - Deze positie is geschikt voor grotere baby's. **(19)-2**

Kap

- 1 - Om de kap te openen, trekt u deze naar voren over de voorkant van het stoeltje. Om de kap te sluiten, duwt u het naar achteren. **(20)**
- 2 - Plaats de kapklep naar wens naar voren of naar achteren. Wanneer het niet wordt gebruikt, vouwt u de kapklep op onder de kap. **(21)**
- 3 - Open de rits op de kap voor extra schaduw en ventilatie. **(22)**
- 4 - Voor ventilatie draait u de kap van het bovenste raampje van de kap omhoog. **(23)**
- 5 - Voor extra ventilatie draait u de kap van het achterste raampje van de kap omhoog. **(24)**

Draaien van voorwielen blokkeren

Aanbevolen wordt om de draaiblokkering voor de voorwielen op ongelijke oppervlakken te gebruiken.

- 1 - Knijp **(25)-1** en trek het voorste draaislot **(25)-2** eruit om het voorwiel in de vooruit kijkende stand te vergrendelen. Het kan nodig zijn om het wiel te bewegen zodat het vergrendeld kan worden.
- 2 - Druk de vergrendeling naar binnen om het wiel te ontgrendelen. **(26)**

Rem

- 1 - Trap op het rode gebied op de remhendel om de achterwielen vast te zetten. **(27)**
 - 2 - Trap op het groene gebied de remhendel om de achterwielen los te maken. **(28)**
- ! Gebruik de rem altijd als de kinderwagen stilstaat. Druk de kinderwagen iets vooruit om te controleren of de rem vast zit.

Hendel

De handgreep heeft 3 standen.

- 1 - Om de hoogte van de greep in te stellen, drukt u op de instelknoppen van de handgreep **(29)-1** en trekt u de handgreep omhoog of omlaag. **(29)-2**

Instelling schuine stand

Er zijn 5 standen voor de rugsteun.

- 1 - Om de rugsteun omhoog of omlaag te brengen, knijpt u de instelknop in en drukt u het zitje omhoog of omlaag. **(30)**

Kuitsteun

De kuitsteun heeft 2 standen.

- 1 - Trek de kuitsteun omhoog om deze hoger te plaatsen. **(31)**
- 2 - Om de kuitsteun omlaag te brengen, drukt u op de instelknoppen aan de zijkanten **(32)-1**, en drukt u omlaag. **(32)-2**

Inzetstuk

Het inzetstuk kan worden verwijderd voor het bieden van een zitgedeelte met mazen voor betere ventilatie bij warm weer.

- 1 - Voor het verwijderen van het inzetstuk, maakt u de klittenband op het inzetstuk los van de achterkant van het zitje, gesp de gordels los, voer de gordels door de gordelsleuven en verwijder het zitkussen. **(33)**
- ! **NIET** de buis voor de rugsteun verwijderen.

Achteruit kijkend zitje

Het zitje kan achteruit of vooruit kijkend worden gebruikt.

- 1 - Knijp de ontgrendelknoppen in en til het zitje op. **(34)**
 - 2 - Draai het zitje in de tegenovergestelde richting en plaats op de zitsteunen totdat het op de plaats klikt. Een “klik”-geluid betekent dat het zitje is bevestigd. **(35)**
- ! Controleer om ervoor te zorgen dat het zitje stevig is bevestigd door eraan omhoog te trekken.

Opvouwen

Voorafgaand aan opvouwen duwt u de kap naar de achterkant van de wandelwagen.

- 1 - Knijp in de instelknop schuine stand op de achterkant van het zitje (36)-1 en draai de rugsteun naar de opgeslagen stand. (36)-2
- 2 - Til de vouwknoppen (37)-1 op en duw de wandelwagen naar voren om op te vouwen. (37)-2
- 3 - Vergrendel de wandelwagen door de opberggrendel in de opbergbeugel te steken. (38)

Accessoires

Adapters autozitje

Bij het gebruik van de wandelwagen met Nuna-babydraagmodules, moet u de volgende instructies raadplegen.

- 1 - Voor het bevestigen van de adapters, plaatst u de adapters op de zitsteunen zoals in de afbeelding. Een “klik”-geluid betekent dat de adapters zijn vergrendeld. (39)
- 2 - Voor het bevestigen van de babydraagmodule, plaatst u de babydraagmodule op de adapters zoals in de afbeelding (40). Een “klik”-geluid betekent dat de extra spatie verwijderen babydraagmodule is vergrendeld. (41)
- 3 - De hoek van de babydraagmodule kan worden afgesteld met onze instelbare adapters. (42)
- 4 - Voor het verwijderen van de babydraagmodule, tilt u de babydraagmodule omhoog (43)-2 terwijl u drukt op de ontgrendelknoppen van de wandelwagen. (43)-1

- 5 - Voor het verwijderen van de adapters, tilt u de adapters op (44)-2 terwijl u extra spatie verwijderen trekt aan de ontgrendelknoppen. (44)-1

Schort

Het zachte schort biedt uw kind een warme en comfortabele omgeving.

- 1 - Plaats het schort over het zitje, maak de sluitingen op het schort en het zitje vast (45)-1, herhaal aan de tegenovergestelde zijde.
- 2 - Het gemonteerde schort is afgebeeld in (45).

Regenkap

Controleer dat de kap volledig geopend is voorafgaand aan het bevestigen van de regenkap.

- 1 - Plaats de regenkap over de wandelwagen om deze te monteren. (46)
- ! Controleer **ALTIJD** de ventilatie met name bij warm weer als het product is afgedekt door de regenkap.
- Controleer **ALTIJD** of de regenkap schoon en droog is voor u deze weer opvouwt.
- Vouw de wandelwagen **NIET** op wanneer de regenkap is bevestigd.
- Plaats uw kind **NIET** in de wandelwagen in warm weer en met de regenkap bevestigd.

Reiniging en onderhoud

Reinig het frame, de plastic onderdelen en het weefsel met een vochtige doek, maar gebruik geen schurende middelen of bleekwater. Gebruik geen silicone smeermiddelen omdat ze vuil en roet aantrekken. Bewaar de kinderwagen niet in een vochtige omgeving.

Reinig de wielen regelmatig met water en verwijder het vuil.

Om er voor te zorgen dat de kinderwagen lang meegaat, moet u hem na gebruik in de regen afvegen met een zachte absorberende doek.

Raadpleeg het wasetiket dat aan de stof is bevestigd voor was- en drooginstructies.

Het is normaal dat materialen verkleuren door blootstelling aan zonlicht en na langdurig gebruik slijtage vertonen, zelfs bij gangbaar gebruik.

Uit veiligheidsoverwegingen mag u uitsluitend originele onderdelen van Nuna gebruiken.

Controleer regelmatig of alles nog goed werkt. Gebruik de kinderwagen niet meer als onderdelen zijn gescheurd, gebroken of ontbreken.

NUNA International B.V. NUNA en alle bijbehorende logo's zijn handelsmerken.

**IMPORTANTE!
LEGGERE
ATTENTAMENTE
E CONSERVARE PER
RIFERIMENTO FUTURO**

Indice

Informazioni sul prodotto	83
Registrazione del prodotto	
Garanzia	
Contatto	
Requisiti di utilizzo da parte del bambino	84
Avvertenze	85
Elenco parti	89
Configurazione del prodotto	91
Uso del prodotto	93
Accessori	97
Adattatore per sedile per auto	
Coprigambe	
Copertura antipioggia	
Pulizia e manutenzione	99

Informazioni sul prodotto

Numero modello: _____

Prodotto in data: _____

Registrazione del prodotto

Inserire le precedenti informazioni. Numero modello e Prodotto in (data) si trovano su un'etichetta sulla parte inferiore del telaio del passeggino.

Per registrare il prodotto, visitare il sito:

www.nunababy.com

Fare clic sul link "Registra dispositivo" nella homepage.

Garanzia

Abbiamo progettato appositamente i nostri prodotti di alta qualità in modo che crescano con il bambino e con la famiglia. Poiché crediamo nel nostro prodotto, i meccanismi sono coperti da una garanzia personalizzata per prodotto che comincia dal giorno dell'acquisto. Al momento di contattarci, sono necessari la prova d'acquisto, il numero di modello e la data di produzione.

Per informazioni sulla garanzia, visitare il sito:

www.nunababy.com

Fare clic sul link "Garanzia" nella homepage.

Contatto

Per la sostituzione di parti, manutenzione o domande sulla garanzia, contattare il dipartimento di assistenza al cliente.

info@nunababy.com

www.nunababy.com

Requisiti di utilizzo da parte del bambino

Questo passeggino è adatto per l'uso con bambini con i seguenti requisiti:

dalla nascita a 22 kg o 4 anni, qualunque degli eventi si verifichi prima

Quando si utilizza il telaio del passeggino con le culle portatili MIXX o Nuna, fare riferimento ai requisiti di utilizzo da parte del bambino elencati nei manuali di istruzioni.

AVVERTENZA

La mancata osservanza delle seguenti avvertenze e istruzioni potrebbe causare lesioni gravi o decesso.

Utilizzare sempre il sistema di ritenuta.

Prima dell'uso controllare che i meccanismi di aggancio della seduta, della navicella o del seggiolino auto siano correttamente agganciati.

Non lasciare che il bambino giochi con questo prodotto.

Prima dell'uso assicurarsi che tutti i meccanismi di bloccaggio siano correttamente agganciati.

Non lasciare mai il bambino incustodito.

Questo prodotto non è adatto per correre o pattinare.

Per evitare lesioni o ferimenti assicurarsi che il bambino sia a debita distanza durante le operazioni di apertura e chiusura del prodotto.

Gli accessori non approvati dal produttore non devono essere usati. Utilizzare solo le parti di ricambio fornite o consigliate dal produttore/distributore.

Il prodotto deve essere montato solo da adulti.

Quando ci si ferma, applicare **SEMPRE** il freno di stazionamento.

Eventuali danni causati dall'uso di accessori non forniti da Nuna non saranno coperti dalla garanzia.

Qualsiasi carico sulla maniglia, sul retro dello schienale e/o sui lati del veicolo influisce sulla stabilità del veicolo stesso.

Assicurarsi che il passeggino sia completamente eretto e bloccato prima che il bambino si avvicini ad esso.

NON trasportare altri bambini, prodotti o accessori nel o sul passeggino, salvo nei casi ammessi nel presente manuale. Possono causare l'instabilità del passeggino.

NON lasciare il passeggino esposto nei pressi di forti fonti di calore, come ad esempio un radiatore o una fiamma libera.

NON mettere mai nessun oggetto sul tettuccio.

NON lasciare il passeggino in sosta in luoghi umidi. Lasciare sempre che il tessuto si asciughi naturalmente lontano da fonti di calore dirette.

NON utilizzare il cestello di conservazione per il trasporto del bambino.

NON utilizzare il passeggino nel caso in cui alcuni componenti siano danneggiati o mancanti.

Per i seggiolini per auto utilizzati in combinazione con un telaio, questo veicolo non sostituisce una culla o un letto. Se il bambino ha necessità di dormire deve essere messo nella sua culla o nel lettino.

Tenere lontano dai bambini i piccoli componenti, perché possono costituire un pericolo di soffocamento.

Affrontare cordoli di marciapiedi e pavimentazioni sconnesse con molta attenzione. Gli urti ripetuti potrebbero causare danni al passeggino.

NON lasciare mai che i bambini stiano in piedi sul passeggino.

NON trasportare mai più di un bambino per volta sul passeggino.

NON utilizzare mai il passeggino su scale o scale mobili. Si potrebbe perdere improvvisamente il controllo del passeggino o il bambino potrebbe cadere.

La cintura deve essere sempre correttamente applicata e regolata. La cintura non sostituisce l'attenta supervisione di un adulto.

Il freno di stazionamento deve essere inserito quando si mette o toglie il bambino.

Il sovraccarico, l'errata piegatura e l'uso di accessori, come per es. seggiolini per bambini, ganci per borse, coperture antipioggia, piani d'appoggio per passeggini, ecc..., diversi da quelli approvati da Nuna possono danneggiare il passeggino.

Le ruote in gomma possono lasciare dei segni neri su superfici lisce, come il parquet, il laminato e il linoleum.

PERICOLO DI STRANGOLAMENTO Non collocare oggetti dotati di lacci attorno al collo del bambino, appendere i lacci di questo prodotto o fissare i lacci ai giocattoli.

Per evitare il pericolo di soffocamento, prima di ogni utilizzo togliere tutte le coperture di plastica ed eliminarle o tenerle lontane da neonati e bambini!

Per evitare condizioni pericolose e instabili, non collocare più di 4,5 kg nel cestello di conservazione e più di 0,45 kg nella tasca portaoggetti.

Per i neonati, **UTILIZZARE** la posizione più inclinata.

Usare il passeggino con bambini di peso non superiore a 22 kg. Se il bambino è troppo grande, si potrebbero causare danni al passeggino.

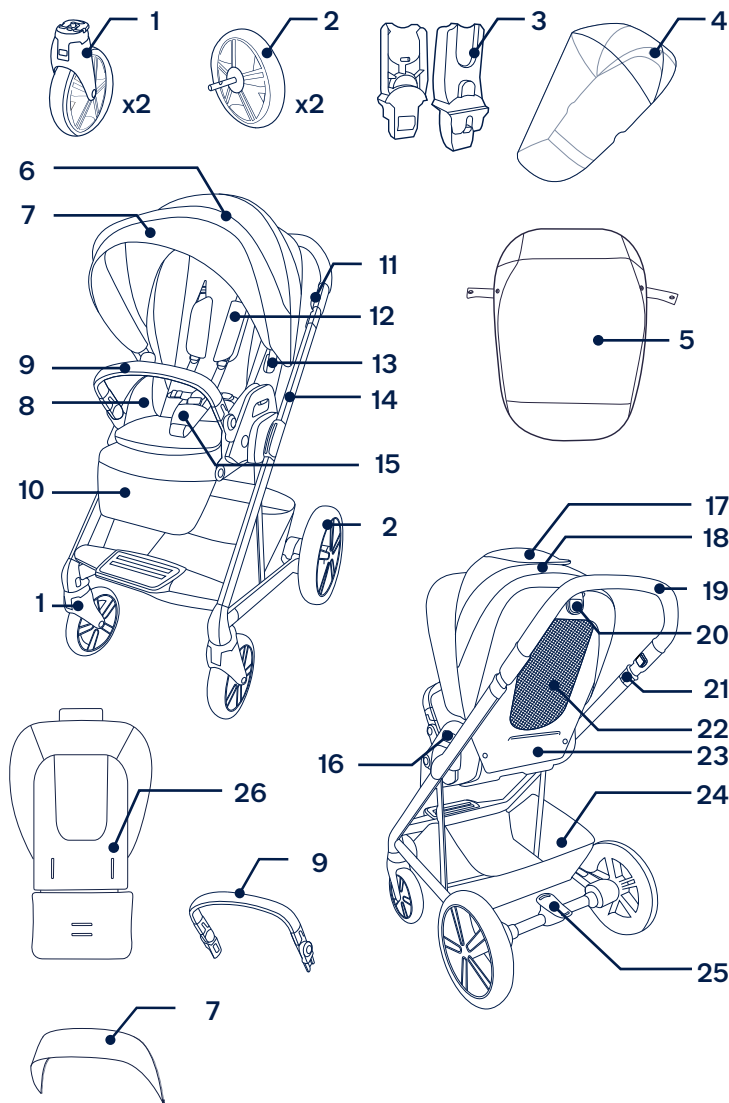
Elenco parti

Assicurarsi che tutti i pezzi siano disponibili prima dell'assemblaggio.

Se manca qualche pezzo, contattare il rivenditore locale. Per l'assemblaggio non è necessario nessun attrezzo.

! PERICOLO DI SOFFOCAMENTO: Rimuovere e gettare immediatamente i cappucci di protezione di ogni ruota e asse del mozzo della ruota.

- | | |
|---|--|
| 1 Ruota anteriore (x2) | 15 Fibbia e copertura spartigambe |
| 2 Ruota posteriore (x2) | 16 Pulsante di rilascio seggiolino |
| 3 Adattatore seggiolino per auto | 17 Finestrella superiore del tettuccio |
| 4 Copertura antipioggia | 18 Finestrella posteriore del tettuccio |
| 5 Coprigambe | 19 Maniglia passeggino |
| 6 Tettuccio | 20 Pulsante di regolazione dell'inclinazione |
| 7 Visiera tettuccio | 21 Tasto di piegatura |
| 8 Imbottitura | 22 Ventilazione sedile |
| 9 Bracciolo | 23 Tasca portaoggetti |
| 10 Supporto per la gamba | 24 Cestello di conservazione |
| 11 Pulsante di regolazione della maniglia | 25 Leva del freno |
| 12 Imbottiture per briglia avvolgispalla | 26 Inserto |
| 13 Fermagli del tettuccio | |
| 14 Telaio passeggino | |



Configurazione del prodotto

Apertura del passeggino

- 1 - Aprire il fermo di chiusura come mostrato (1). Sollevare la maniglia dai lati e ruotare verso la parte posteriore del passeggino. Quando si sente il “clac” significa che il telaio del passeggino è completamente aperto. (2)
 - 2 - Premere il pulsante di regolazione della reclinazione sul retro del sedile e ruotare lo schienale in posizione verticale. (3)
- ! Verificare che il passeggino sia completamente aperto prima di continuare.

Tettuccio

- 1 - Chiudere la visiera tettuccio all'interno del tettuccio. (4)
- 2 - Inserire i fermagli del tettuccio nei supporti del tettuccio sui lati del passeggino. Quando si sente il “clac” significa che il tettuccio è montato completamente. (5)

Ruote anteriori

- 1 - Inserire la ruota anteriore nella gamba anteriore. Quando si sente il “clac” significa che la ruota è montata completamente. (6) Ripetere sul lato opposto.
- ! Verificare che la ruota sia saldamente fissata cercando di estrarla.
- 2 - Per rimuovere la ruota anteriore, premere il pulsante di rilascio (7)-1 e staccare la ruota anteriore alla gamba anteriore. (7)-2

Ruote posteriori

- 1 - Inserire la ruota posteriore nella gamba posteriore. Quando si sente il “clac” significa che la ruota posteriore è montata completamente. Ripetere sul lato opposto. (8)
- ! Verificare che le ruote siano saldamente fissate cercando di estrarle.
- 2 - Per rimuovere la ruota posteriore, premere il pulsante di rilascio (9)-1 e staccare la ruota posteriore alla gamba posteriore. (9)-2

Bracciolo

- ! Proteggere sempre il bambino con la cintura. Il bracciolo non è un dispositivo di ritenuta.
- 1 - Allineare le estremità del bracciolo con i supporti del bracciolo e inserire finché non scatta in posizione. Quando si sente il “clac” significa che il bracciolo è montato completamente. (10)
 - 2 - Per rimuovere il bracciolo, premere i pulsanti di rilascio (11)-1 e sollevare il bracciolo. (11)-2
 - 3 - Per una maggiore compattezza con il sedile rivolto all'indietro, premere i pulsanti di regolazione del bracciolo (12)-1 e ruotare il bracciolo verso il basso (12)-2 finché non scatta in posizione.
- ! **NON** utilizzare mai il bracciolo in posizione abbassata/ piegata quando il bambino è nel passeggino.
- Il passeggino completamente assemblato è illustrato in (13).

Controllo dell'installazione

- Il telaio del passeggino è bloccato aperto
- Ruote anteriori e ruote posteriori fissate saldamente
- Il supporto del tettuccio è fissato al telaio del passeggino e il tettuccio è fissato all'imbottitura della seduta
- Bracciolo fissato saldamente

Uso del prodotto

- ! Il freno di stazionamento **DEVE** essere inserito quando si arresta il passeggino e quando si colloca e si rimuove il bambino.

Bloccaggio del telefono

- ! Per evitare gravi lesioni a seguito di caduta o scivolamento, usare sempre le cinture. Assicurarsi che la cintura sia regolata correttamente e che il bambino sia perfettamente allacciato. Lo spazio tra il bambino e la cintura per le spalle deve essere di circa lo spessore di un dito. **NON** incrociare le cinture per le spalle. Ciò provocherà pressione sul collo del bambino.
- 1 - Premere il pulsante centrale sulla fibbia per sganciare la fibbia di bloccaggio, rimuovere i fermagli e sistemare il bambino nel passeggino. **(14)**
 - 2 - Collegare la fibbia per le spalle e la fibbia per i fianchi. **(15)**
 - 3 - Fissare la fibbia per le spalle e la fibbia per i fianchi alla fibbia di bloccaggio e ripetere sul lato opposto. **(16)**

- 4 - Applicare la cintura al bambino facendo scorrere le cinghie di regolazione per serrare **(17)-1**. Quindi, estrarre le cinghie di regolazione inguinali **(17)-2**.

Posizione della cintura per le spalle

- 1 - È possibile spostare verso l'alto e il basso le fibbie della cintura avvolgispalla superiori. **(18)**

Cintura spartigambe

Identificare la fessura della cintura spartigambe che consente di ottenere una perfetta aderenza. Cambiare la fessura della cintura spartigambe, se necessario.

- 1 - I bambini più piccoli adottano questa posizione. **(19)-1**
- 2 - I bambini più grandi adottano questa posizione. **(19)-2**

Tettuccio

- 1 - Per aprire il tettuccio, tirarlo verso la parte anteriore della seduta. Per chiudere il tettuccio, spingerlo verso il retro. **(20)**
- 2 - Collocare la visiera tettuccio avanti o indietro, come necessario. Se non viene utilizzato, piegare la visiera tettuccio sotto il tettuccio. **(21)**
- 3 - Aprire la cerniera sul tettuccio per ottenere più ombra e ventilazione. **(22)**
- 4 - Per una maggiore ventilazione, piegare verso l'alto la copertura della finestrella superiore del tettuccio. **(23)**
- 5 - Per una maggiore ventilazione, piegare verso l'alto la copertura della finestrella posteriore del tettuccio. **(24)**

Bloccaggi anteriori orientabili

Raccomandiamo di utilizzare i bloccaggi orientabili anteriori sulle superfici irregolari.

- 1 - Premere **(25)-1** e tirare verso l'esterno il bloccaggio orientabile anteriore **(25)-2** per bloccare la ruota anteriore rivolta in avanti. Potrebbe essere necessario spostare la ruota per bloccarla.
- 2 - Inserire il bloccaggio orientabile anteriore per sbloccare. **(26)**

Freno

- 1 - Per bloccare le ruote posteriori, abbassare l'area rossa nella leva del freno. **(27)**
- 2 - Per sbloccare le ruote posteriori, abbassare l'area verde nella leva del freno. **(28)**

! Applicare sempre il freno quando si arresta il passeggino. Spingere leggermente il passeggino per assicurarsi che il freno sia inserito.

Maniglia

La maniglia ha 3 posizioni.

- 1 - Per regolare l'altezza della maniglia, premere il pulsante di regolazione della maniglia **(29)-1** e tirare la maniglia verso l'alto o il basso. **(29)-2**

Regolazione della reclinazione

Lo schienale può essere regolato in 5 diverse posizioni di reclinazione.

- 1 - Per sollevare o abbassare lo schienale, premere il pulsante di regolazione della reclinazione e tirare la seduta verso l'alto o il basso. **(30)**

Supporto per la gamba

Il supporto per la gamba ha 2 posizioni di utilizzo.

- 1 - Per sollevare il supporto per la gamba, sollevarlo. **(31)**
- 2 - Per abbassare il supporto per la gamba, premere i pulsanti di regolazione su entrambi i lati **(32)-1** e spingerlo verso il basso. **(32)-2**

Inserito

L'inserito può essere rimosso in modo da fornire un'area di seduta a rete per una maggiore ventilazione durante la stagione calda.

- 1 - Per rimuovere l'inserito, rilasciare il velcro sull'inserito dal retro del sedile, sganciare le cinture, infilare le cinture attraverso le relative fessure e rimuovere l'imbottitura. **(33)**

! **NON** rimuovere il tubo dello schienale.

Inversione del seggiolino

Il seggiolino può essere utilizzato rivolto in senso contrario al senso di marcia o in senso di marcia.

- 1 - Premere i pulsanti di rilascio e sollevare contemporaneamente il seggiolino. **(34)**
- 2 - Girare il seggiolino in posizione opposta e inserirlo negli appositi supporti finché non scatta in posizione. Quando si sente il "clic" significa che il seggiolino è fissato. **(35)**

! Controllare che il seggiolino sia fissato saldamente tirando su di esso.

Piegatura

Prima di piegare, spingere il tettuccio sul retro del passeggino.

- 1 - Premere il pulsante di regolazione della reclinazione sul retro del sedile **(36)-1** e ruotare lo schienale in posizione verticale. **(36)-2**
- 2 - Sollevare i pulsanti di piegatura **(37)-1** e spingere avanti il passeggino per piegarlo. **(37)-2**
- 3 - Bloccare il passeggino infilando il fermo di chiusura nel relativo supporto. **(38)**

Accessori

Adattatori seggiolino per auto

Quando si utilizza il passeggino con culle portatili Nuna, consultare le seguenti istruzioni.

- 1 - Per fissare gli adattatori, collocarli sui supporti del sedile come mostrato. Quando si sente il “clic” significa che gli adattatori sono bloccati. **(39)**
- 2 - Per fissare la culla portatile, collocarla sugli adattatori come mostrato **(40)**. Quando si sente il “clic” significa che l’eliminazione dello spazio extra della culla portatile è bloccata. **(41)**
- 3 - L’angolo della culla portatile può essere regolato con gli adattatori regolabili. **(42)**
- 4 - Per rimuovere la culla portatile, sollevarla **(43)-2** mentre si premono i pulsanti di rilascio del passeggino. **(43)-1**
- 5 - Per rimuovere gli adattatori, sollevarli **(44)-2** mentre si elimina lo spazio extra tirando i pulsanti di rilascio. **(44)-1**

Coprigambe

Il coprigambe morbido garantisce al bambino un ambiente caldo e comodo.

- 1 - Collocare il coprigambe sul sedile, fissare gli agganci sul coprigambe e sul seggiolino **(45)-1** e ripetere sul lato opposto.
- 2 - Il coprigambe assemblato è mostrato in **(45)**.

Copertura anti pioggia

Controllare che il tettuccio sia completamente aperto prima di fissare la copertura anti pioggia.

- 1 - Per assemblare la copertura anti pioggia, collocarla sopra il passeggino. **(46)**

! Con la copertura anti pioggia applicata al passeggino, controllare **SEMPRE** la ventilazione.

CONTROLLARE SEMPRE che la copertura anti pioggia sia pulita e asciutta prima di ripiegarla.

NON piegare il passeggino quando la copertura anti pioggia per auto è ancora fissata.

NON far sedere il bambino nel passeggino con la copertura anti pioggia montata quando fa caldo.

Pulizia e manutenzione

Pulire il telaio, le parti in plastica e il tessuto con un panno umido, ma senza utilizzare prodotti abrasivi o candeggina. Non utilizzare lubrificanti al silicone, in quanto attraggono sporcizia e polvere. Non lasciare il passeggino in sosta in luoghi umidi.

IT Pulire regolarmente le ruote del passeggino con acqua eliminando lo sporco.

Per assicurare una lunga durata, dopo averlo usato con la pioggia, strofinare il prodotto con un panno assorbente morbido.

Fare riferimento all'etichetta sul tessuto per le istruzioni di lavaggio e asciugatura.

È normale che i tessuti si scoloriscano per effetto della luce solare e che presentino tracce di usura dopo un lungo periodo d'uso, anche se utilizzati in modo normale.

Per ragioni di sicurezza, utilizzare soltanto ricambi originali Nuna.

Controllare periodicamente se tutto funziona correttamente. Se alcune parti sono danneggiate, rotte o mancanti, cessare di utilizzare questo prodotto.

NUNA International B.V. NUNA e tutti i logo associati sono marchi di fabbrica.

**¡IMPORTANTE!
LÉALO DETENIDAMENTE
Y GUÁRDELO PARA
FUTURA REFERENCIA**

Índice

Información del producto	103
Registro del producto	
Garantía	
Contacto	
Requisitos de los niños para su uso	104
Advertencias	105
Lista de piezas	109
Montaje del producto	111
Uso del producto	114
Accesorios	118
Adaptador para el asiento para el vehículo	
Saco cubrepieés	
Cubierta impermeable	
Limpieza y mantenimiento	120

Información del producto

Número de modelo: _____

Fecha de fabricación: _____

Registro del producto

Rellene la información anterior. El número de modelo y la fecha de fabricación vienen indicados en una etiqueta situada en la parte inferior de la estructura del cochecito.

Para registrar su producto, visite:

www.nunababy.com

Haga clic en el enlace “Registrar Equipo” en la página de inicio.

Garantía

Hemos diseñado a propósito nuestros productos de alta calidad para que puedan crecer tanto con su hijo como con su familia. Como respaldamos nuestros productos, nuestros artículos están cubiertos por una garantía a medida para cada producto, a partir de la fecha en la que fue adquirido. Tenga preparada la prueba de compra, el número de modelo y la fecha de fabricación cuando se ponga en contacto con nosotros.

Para obtener información acerca de la garantía, visite:

www.nunababy.com

Haga clic en el enlace “Garantía” en la página de inicio.

Contacto

Para obtener información sobre piezas de repuesto y servicio técnico, o para resolver dudas acerca de la garantía adicional, póngase en contacto con nuestro departamento de atención al cliente.

info@nunababy.com

www.nunababy.com

Requisitos de los niños para su uso

Este cochecito es apto para usarse con niños que cumplan los siguientes requisitos:

Desde el nacimiento hasta 22 kg o 4 años, lo que ocurra primero

Cuando use la estructura del cochecito con el capazo MIXX o los portabebés Nuna, consulte los requisitos de uso para niños que se enumeran en esos manuales de instrucciones.

⚠️ ADVERTENCIA

Si no sigue las advertencias e instrucciones que se exponen a continuación, podría provocar graves lesiones o, incluso, la muerte.

Usar siempre el sistema de retencion.

Comprobar que los dispositivos de sujecion del capazo, del asiento o de la silla de coche estan correctamente engranados antes del uso.

No permita que el nino juegue con este producto.

Asegurarse de que todos los dispositivos de cierre estan engranados antes del uso.

No dejar nunca al nino desatendido.

Este producto no es adecuado para correr o patinar.

Para evitar lesiones, asegurese de que el nino se mantiene alejado durante el desplegado y el plegado de este producto.

No utilice accesorios que no estén aprobados por el fabricante. Utilice únicamente las piezas de recambio proporcionadas o recomendadas por el fabricante o distribuidor.

El montaje solo podrá ser realizado por personas adultas.

Ponga **SIEMPRE** el freno de estacionamiento cuando se detenga.

Cualquier daño causado por el uso de accesorios no suministrados por Nuna no estará cubierto por la garantía.

Si cuelga algún objeto del manillar y/o en la parte trasera del respaldo y/o de los laterales del cochecito, la estabilidad del cochecito se verá afectada.

Asegúrese de que el cochecito está totalmente erguido y bloqueado antes de permitir que el niño se acerque a él.

NO deberá llevar más niños, objetos o accesorios en el cochecito, a excepción de lo que se indica en este manual. Si lo hace, podría provocar que el cochecito se vuelva inestable.

NO deje el cochecito expuesto cerca de una fuente que desprenda demasiado calor como, por ejemplo, un radiador o una chimenea.

NO coloque ningún objeto sobre la capota.

NO guarde su cochecito en lugares húmedos. Deje siempre que su tejido se seque al aire libre, alejado del calor directo.

NO utilice la cesta portaobjetos como portabebés.

NO utilice este cochecito si falta alguna de sus piezas o si alguna de ellas está dañada.

En asientos de vehículo que se utilicen con un chasis, este vehículo no sustituye a una cuna ni una cama. Si su hijo necesita dormir, deberá colocarlo sobre una cuna, una cama o un capazo adecuado.

Mantenga las piezas pequeñas fuera del alcance de los niños, ya que existe el riesgo de asfixia.

Cuando pase por bordillos y suelos irregulares, hágalo con cuidado. Un impacto repetido podría dañar el cochecito.

NUNCA deje que los niños se pongan de pie sobre el cochecito.

NUNCA lleve a más de un niño al mismo tiempo en el cochecito.

NUNCA utilice el cochecito en escaleras convencionales o mecánicas. Podría perder repentinamente el control del cochecito o su hijo podría caerse.

El arnés deberá estar siempre bien colocado y ajustado correctamente. El arnés no sustituye la supervisión adecuada de un adulto.

El freno de estacionamiento deberá estar engranado cuando coloque y retire al niño.

Si sobrecarga, pliega de forma incorrecta o utiliza accesorios como asientos para niños, enganches para bolsos, capotas impermeables, patinetes Buggy Board, etc. que no estén aprobados por Nuna, podría dañar el cochecito o provocar que este ya no sea seguro.

Las gomas de las ruedas pueden dejar marcas en superficies lisas como el parqué, el suelo laminado o el de linóleo.

RIESGO DE ESTRANGULAMIENTO: no coloque objetos con cordones alrededor del cuello del niño, no deje que cuelguen cordones de este producto ni ate los cordones a ningún juguete.

¡Para evitar el riesgo de asfixia, retire los plásticos que lo recubren antes de utilizar este producto y destrúyalos o manténgalos fuera del alcance de bebés y niños!

Para evitar riesgos y la inestabilidad del producto, no coloque más de 4,5 kg de peso en la cesta portaobjetos ni más de 0,45 kg en el bolsillo de almacenamiento.

USE la posición lo más reclinada posible para recién nacidos.

Este cochecito está diseñado para niños con un peso inferior a 22 kg. Con niños de más peso el cochecito puede romperse.

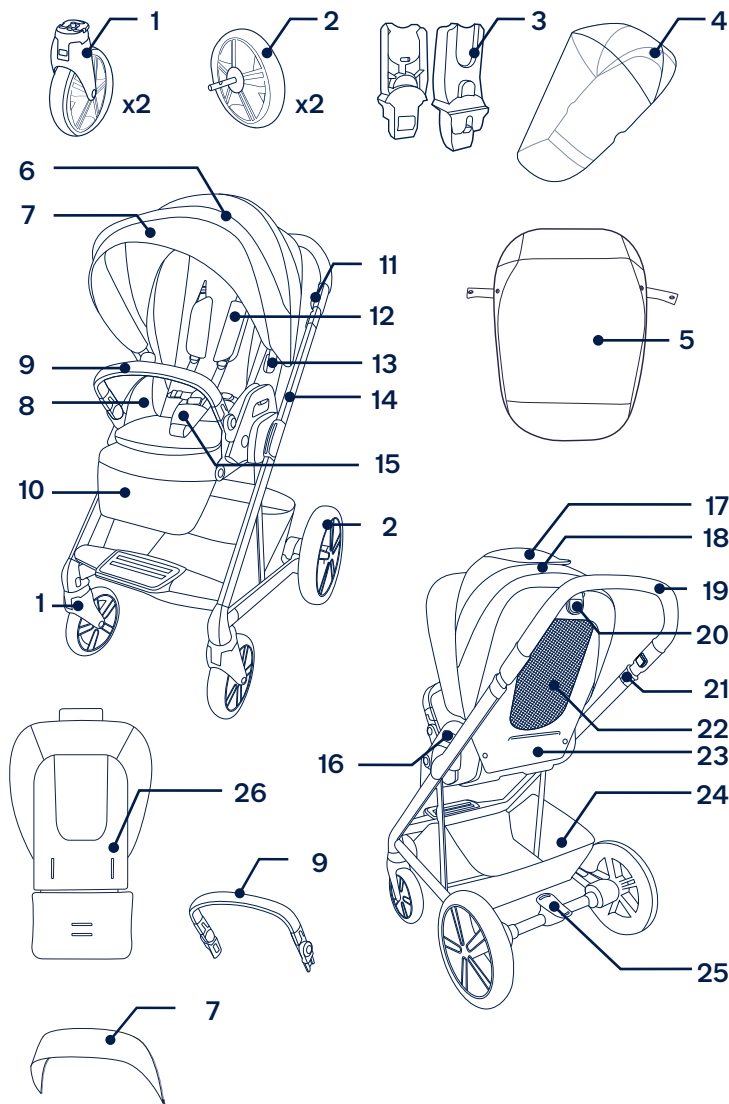
Lista de piezas

Asegúrese de que están disponibles todas las piezas antes de montar el producto.

Si falta alguna pieza, póngase en contacto con su proveedor local. No se necesita ninguna herramienta para el montaje.

! RIESGO DE ASFIXIA: Quite y deseche inmediatamente los tapones protectores de cada rueda y del eje del buje de cada rueda.

- | | |
|--|--|
| 1 Rueda delantera (x2) | 15 Hebilla y protector para la entretierna |
| 2 Rueda trasera (x2) | 16 Botón de desbloqueo del asiento |
| 3 Adaptador para el asiento del vehículo | 17 Ventana de la capota superior |
| 4 Cubierta impermeable | 18 Ventana de la capota trasera |
| 5 Saco cubrepies | 19 Manillar del cochecito |
| 6 Capota | 20 Botón de ajuste de la inclinación |
| 7 Visera de la capota | 21 Botón de plegado |
| 8 Acolchado del asiento | 22 Ventilación del asiento |
| 9 Reposabrazos | 23 Bolsillo para accesorios |
| 10 Soporte para las pantorrillas | 24 Cesta portaobjetos |
| 11 Botón de ajuste del manillar | 25 Palanca del freno |
| 12 Acolchado del arnés para los hombros | 26 Accesorio |
| 13 Broches de la capota | |
| 14 Estructura del cochecito | |



Montaje del producto

Abrir el cochecito

- 1 - Abra el seguro de almacenamiento como se muestra en (1). Levante el asa desde los lados y gire hacia la parte trasera del cochecito. Cuando escuche un “clic”, significará que la estructura del cochecito está completamente abierta. (2)
 - 2 - Presione el botón de ajuste de la inclinación situado en la parte posterior del asiento y gire el respaldo a la posición vertical. (3)
- ! Compruebe que el cochecito está completamente abierto antes de continuar.

Capota

- 1 - Cierre la cremallera de la visera de la capota en la parte interior de dicha capota. (4)
- 2 - Inserte los broches de la capota en los soportes de esta en los lados del cochecito. Cuando oiga un “clic”, significará que la capota está completamente montada. (5)

Ruedas delanteras

- 1 - Introduzca la rueda delantera dentro de la pata delantera. Cuando escuche un “clic”, significará que la rueda está completamente montada. (6) Repita el procedimiento en el lado contrario.
- ! Compruebe que la rueda está bien sujeta tirando de ella hacia fuera.
- 2 - Para quitar la rueda delantera, presione el botón de desbloqueo (7)-1 y desmóntela de la pata delantera. (7)-2

Ruedas traseras

- 1 - Introduzca la rueda trasera dentro de la pata trasera. Cuando oiga un “clic”, significará que la trasera está completamente montada. Repita este paso en el lado contrario. (8)
- ! Compruebe que las ruedas están acopladas de forma segura tirando de ellas.
- 2 - Para quitar la rueda trasera, presione el botón de desbloqueo (9)-1 y desmóntela de la pata trasera. (9)-2

Reposabrazos

- ! Asegure siempre al niño con el arnés. El reposabrazos no es un dispositivo de sujeción.
- 1 - Alinee los extremos del reposabrazos con los soportes del mismo e inserte hasta que encaje en su lugar. Cuando oiga un “clic”, significará que el reposabrazos está completamente montado. (10)
 - 2 - Para quitar el capazo, pulse los botones de desbloqueo del capazo (11)-1 y levántelo. (11)-2
 - 3 - Para un plegado más compacto cuando el asiento está orientado hacia atrás, presione los botones de ajuste del reposabrazos (12)-1 y gire este hacia abajo (12)-2 hasta que quede encajado en su lugar.
- ! **NUNCA** use el reposabrazos en la posición baja o plegada cuando el niño esté en el cochecito.
- La figura (13) muestra el cochecito completamente montado.

Comprobar el montaje

- La estructura del cochecito se abre con seguro
- Ruedas delanteras y traseras bien sujetas
- Soporte de la capota acoplado a la estructura del cochecito y capota acoplada al acolchado del asiento
- Reposabrazos acoplado de forma segura

Uso del producto

- ! El freno de estacionamiento **DEBE** activarse cuando el cochecito esté parado y cuando coloque o saque al niño.

Asegurar al niño

- ! Para evitar lesiones graves como consecuencia de caídas o resbalones, mantenga al niño sujeto con el cinturón de asiento en todo momento. Asegúrese de que el arnés está ajustado correctamente y de que su hijo está sujeto cómodamente. El espacio entre el niño y el arnés para los hombros deberá ser del grosor de un dedo más o menos. **NO** cruce los cinturones de los hombros. Si lo hace, podría presionar el cuello del niño.

- 1 - Pulse el botón central de la hebilla para soltar el bloqueo de la hebilla, quite los enganches y coloque al niño en el cochecito. **(14)**
- 2 - Conecte la hebilla de los hombros y la hebilla de la cadera. **(15)**
- 3 - Abroche la hebilla de los hombros y la hebilla de la cadera con el bloqueo de la hebilla y repita este paso en el lado contrario. **(16)**
- 4 - Ajuste el arnés perfectamente a su hijo tirando de las correas de ajuste para apretar **(17)**-1. A continuación, tire de las correas de ajuste de la cintura hacia fuera **(17)**-2.

Posición del arnés de los hombros

- 1 - Las hebillas del arnés para los hombros superiores se pueden mover hacia arriba y hacia abajo para un mayor ajuste. **(18)**

Correa para la entrepiera

Identifique la ranura de la correa de entrepiera para lograr un cómodo ajuste. Cambie la ranura de la correa de entrepiera si es necesario.

- 1 - Los bebés más pequeños adoptan esta posición. **(19)-1**
- 2 - Los bebés más grandes adoptan esta posición. **(19)-2**

Capota

- 1 - Para abrir la capota, tire de ella hacia adelante del asiento. Para plegarla, empújela hacia atrás. **(20)**
- 2 - Coloque la visera de la capota hacia adelante o hacia atrás según sea necesario. Cuando no esté en uso, pliegue la visera de la capota debajo de esta. **(21)**
- 3 - Abra la cremallera de la capota para obtener más sombra y ventilación. **(22)**
- 4 - Para la ventilación, levante la cubierta superior de la ventana de la capota. **(23)**
- 5 - Para mayor ventilación, levante la cubierta trasera de la ventana de la capota. **(24)**

Bloqueos de las ruedas giratorias delanteras

Se recomienda utilizar los bloqueos de las ruedas giratorias delanteras sobre las superficies irregulares.

- 1 - Apriete **(25)-1** y tire del bloqueo giratorio delantero **(25)-2** para bloquear la rueda delantera orientada hacia adelante. Es posible que deba mover la rueda para que se bloquee.
- 2 - Presione el bloqueo giratorio delantero para desbloquearlo. **(26)**

Freno

- 1 - Para bloquear las ruedas traseras, pise el área roja en la palanca de freno. **(27)**
 - 2 - Para desbloquear las ruedas traseras, pise el área verde en la palanca de freno. **(28)**
- ! Ponga siempre el freno cuando el cochecito esté parado. Empuje el cochecito ligeramente para asegurarse de que el freno está accionado.

Manillar

El manillar se puede colocar en 3 posiciones distintas.

- 1 - Para ajustar la altura del manillar, pulse los botones de ajuste del manillar **(29)-1** y tire del manillar hacia arriba o hacia abajo. **(29)-2**

Ajuste de la inclinación

El respaldo puede colocarse en 5 posiciones de inclinación.

- 1 - Para subir o bajar el respaldo, presione el botón de ajuste de la inclinación y tire del asiento hacia arriba o hacia abajo. **(30)**

Soporte para los gemelos

Se puede utilizar el soporte para los gemelos en 2 posiciones distintas.

- 1 - Para elevar el soporte para los gemelos, tire de él hacia arriba. **(31)**
- 2 - Para bajar el soporte para las pantorrillas, pulse los botones de ajuste ubicados a ambos lados **(32)-1** y empuje hacia abajo. **(32)-2**

Insertar

El añadido puede quitarse para proporcionar una zona de malla para sentarse para una mejor ventilación cuando haya un clima caluroso.

- 1 - Para quitar el añadido, suelte el velcro de dicho acolchado del respaldo del asiento, desabroche el arnés, pase el arnés por las ranuras del arnés y quite el acolchado del asiento. **(33)**

! NO quite el tubo del respaldo.

Invertir el asiento

El asiento se puede usar orientado hacia adelante o hacia atrás.

- 1 - Presione los botones de desbloqueo del asiento y levante este. **(34)**
- 2 - Gire el asiento en la dirección opuesta y colóquelo en los soportes del mismo hasta que encaje en su lugar. Cuando oiga un “clic”, significará que el asiento está acoplado. **(35)**

! Compruebe que el asiento esté firmemente sujeto tirando de él hacia arriba.

Plegar

Antes de realizar el plegado, empuje la capota hacia la parte trasera del cochecito.

- 1 - Presione el botón de ajuste de la inclinación situado en la parte posterior del asiento **(36)-1** y gire el respaldo a la posición de almacenamiento. **(36)-2**
- 2 - Levante los botones de plegado **(37)-1** y empuje la sillita hacia adelante para plegarla. **(37)-2**

- 3 - Bloquee el cochecito metiendo el cierre de almacenamiento en el soporte de almacenamiento. **(38)**

Accesorios

Adaptadores para el asiento del vehículo

Cuando use el cochecito con los portabebés Nuna, consulte las siguientes instrucciones.

- 1 - Para acoplar los adaptadores, colóquelos en los soportes del asiento como se muestra. Cuando oiga un “clic”, significará que los adaptadores están sujetos. **(39)**
- 2 - Para acoplar el portabebés, colóquelo en los adaptadores como se muestra en la figura **(40)**. Cuando oiga un “clic”, significará que el portabebés está bloqueado. **(41)**
- 3 - El ángulo del portabebés se puede ajustar con nuestros adaptadores ajustables. **(42)**
- 4 - Para quitar el portabebés, levántelo **(43)-2** mientras presiona los botones de liberación del cochecito. **(43)-1**
- 5 - Para quitar los adaptadores, levántelos **(44)-2** mientras quita el espacio adicional tirando de los botones de liberación. **(44)-1**

Saco cubrepíés

El saco cubrepíés mullido puede proporcionar al niño un entorno cálido y cómodo.

- 1 - Coloque el saco cubrepíés sobre el asiento, ajuste los broches de dicho saco y el asiento **(45)-1** y repita en el lado contrario.
- 2 - El saco cubrepíés montado se muestra en la figura **(45)**.

Cubierta impermeable

Verifique que la capota esté completamente abierta antes de colocar la cubierta impermeable.

1 - Para montar la cubierta impermeable, colóquela sobre el cochecito. **(46)**

! Asegúrese **SIEMPRE** de que haya una ventilación adecuada cuando coloque la capota impermeable en el producto.

Asegúrese **SIEMPRE** de que la capota impermeable está limpia y seca antes de plegarla.

NO pliegue el cochecito cuando la cubierta impermeable esté acoplada.

NO coloque al niño en el cochecito cuando haga calor con la cubierta impermeable acoplada.

Limpieza y mantenimiento

Limpie la estructura, las piezas de plástico y el tejido con un paño húmedo, pero no utilice productos abrasivos ni lejía. No utilice lubricantes con silicona ya que atraerán la suciedad. No guarde su cochecito en lugares húmedos.

Limpie las ruedas del cochecito periódicamente con agua y elimine la suciedad.

Para garantizar un uso duradero, limpie el producto con un paño suave y absorbente después de usarlo en un día lluvioso.

Consulte la etiqueta de cuidados acoplada a la tela para conocer las instrucciones de lavado y secado.

Es normal que la tela se decolore debido a la luz del sol, y se desgaste y se rompa después de un largo periodo de uso, incluso si se utiliza de una forma normal.

Por razones de seguridad, utilice únicamente piezas originales de Nuna.

Compruebe periódicamente que todo funciona correctamente. Si falta alguna pieza o si alguna de ellas está rota o desgastada, deje de utilizar este producto.

NUNA International B.V.
NUNA y todos los logotipos asociados son marcas comerciales.

**IMPORTANTE!
LER ATENTAMENTE
E GUARDAR PARA
REFERÊNCIA FUTURA**

Índice

Informações do produto	123
Registo do produto	
Garantia	
Contactos	
Requisitos de utilização	124
Avisos	125
Lista de componentes	129
Montagem do produto	131
Utilização do produto	134
Acessórios	138
Adaptador para cadeira auto	
Manta	
Capa impermeável	
Limpeza e manutenção	140

Informações do produto

Número de modelo: _____

Data de fabrico: _____

Registo do produto

Preencha as informações acima. O número de modelo e a data de fabrico estão localizados numa etiqueta na parte inferior da estrutura do carrinho.

Para registar o seu produto, visite:

www.nunababy.com

Clique no link "Registar equipamento" na página inicial.

Garantia

Concebemos propositadamente os nossos produtos de alta qualidade para que possam acompanhar o crescimento do seu filho e da sua família. Porque confiamos nos nossos produtos, os nossos equipamentos estão cobertos por uma garantia personalizada por produto, a partir do dia da respetiva compra. Quando nos contactar, tenha disponíveis o comprovativo de compra, o número do modelo e a data de fabrico.

Para obter informações sobre a garantia, visite:

www.nunababy.com

Clique no link "Garantia" na página inicial.

Contactos

Para peças de substituição, assistência técnica ou outras questões sobre a garantia, contacte o nosso departamento de apoio ao cliente.

info@nunababy.com

www.nunababy.com

Requisitos de utilização

Este carrinho é adequado para crianças que cumpram os seguintes requisitos:

Até 22 kg ou 4 anos, o que ocorrer primeiro.

Sempre que utilizar a estrutura do carrinho com a alcofa MIXX ou transportadores Nuna, consulte os requisitos de utilização nos respetivos manuais de instruções.

AVISO

O incumprimento dos avisos e instruções pode resultar em lesões graves ou morte.

Utilize o cinto de segurança sempre que o seu filho estiver no assento.

Verifique se alcofa, o assento reversível ou o assento auto estão correctamente encaixados antes de usar o produto.

Não deixe que o seu filho brinque com este produto.

Verifique se todos os pontos de encaixe estão bem fixos antes de usar o produto.

Nunca deixe a criança abandonada.

Não é conveniente utilizar este produto aquando da realização de patinagem ou corrida.

Para evitar ferimento assegure-se que o seu filho está afastado, do produto, enquanto o abre e fecha.

NÃO utilize acessórios que não sejam aprovados pelo fabricante. Utilize apenas peças fornecidas e recomendadas pelo fabricante/distribuidor.

A montagem deverá ser efetuada por adultos.

Acione **SEMPRE** o travão de estacionamento quando parar.

Os danos causados pela utilização de acessórios não fornecidos pela Nuna não estão cobertos pela garantia.

Qualquer carga colocada sobre a pega e/ou na traseira do apoio das costas e/ou nas laterais do veículo podem afetar a estabilidade do mesmo.

Assegure-se de que o carrinho está completamente erguido e bloqueado antes de permitir que a criança se aproxime do mesmo.

NÃO utilize este carrinho para transportar outras crianças, mercadorias ou acessórios, exceto nas situações permitidas neste manual. Se o fizer, o carrinho pode ficar instável.

NÃO deixe o carrinho exposto nas proximidades de uma fonte de calor intenso, isto é, um radiador ou chamas vivas.

NÃO coloque nenhum objeto sobre a cobertura.

NÃO armazene o carrinho num local húmido. Permita sempre que o tecido seque naturalmente afastado de fontes de calor direto.

NÃO utilize o cesto de armazenamento como transportador.

NÃO utilize o carrinho se alguma peça estiver danificada ou em falta.

Para as cadeiras auto utilizadas em conjunto com a estrutura do carrinho de bebé, o carrinho não substitui um berço ou cama. Se a criança precisar de dormir, coloque-a na alcofa, berço ou cama apropriados.

Mantenha as peças pequenas fora do alcance das crianças, pois representam um risco de asfixia.

Seja cuidadoso ao atravessar pisos irregulares e subir passeios. Impactos repetidos podem causar danos no carrinho.

NUNCA deixe a criança colocar-se de pé no carrinho.

NUNCA transporte mais do que uma criança ao mesmo tempo no carrinho.

NUNCA utilize o carrinho de bebê em escadas rolantes ou convencionais. Pode perder subitamente o controlo do carrinho de bebê ou a criança pode cair.

As alças devem estar sempre corretamente fixadas e ajustadas. As alças não substituem a supervisão adequada de um adulto.

O travão de estacionamento deve ser acionado ao colocar e remover a criança.

A sobrecarga, fecho incorreto e utilização de acessórios como cadeiras para criança, ganchos para sacos, capas impermeáveis, plataformas, etc., que não sejam aprovados pela Nuna podem danificar ou tornar este carrinho inseguro.

Os pneus de borracha podem deixar marcas pretas em superfícies lisas como parquet, pavimento laminado e em linóleo.

PERIGO DE ESTRANGULAMENTO Não coloque artigos com fios à volta do pescoço da criança, pendure fios neste produto nem ate fios a brinquedos.

Para evitar o risco de asfixia, remova todos os revestimentos de plástico antes de utilizar este artigo e destrua-os ou mantenha-os fora do alcance de bebês e crianças!

Para evitar condições perigosas e instáveis, não coloque mais de 4,5 kg no cesto de armazenamento e mais de 0,45 kg no bolso.

Utilize a posição mais inclinada para recém-nascidos.

O carrinho deve ser utilizado por crianças até 22 kg. Se a criança for mais pesada, o carrinho de bebê pode danificar-se.

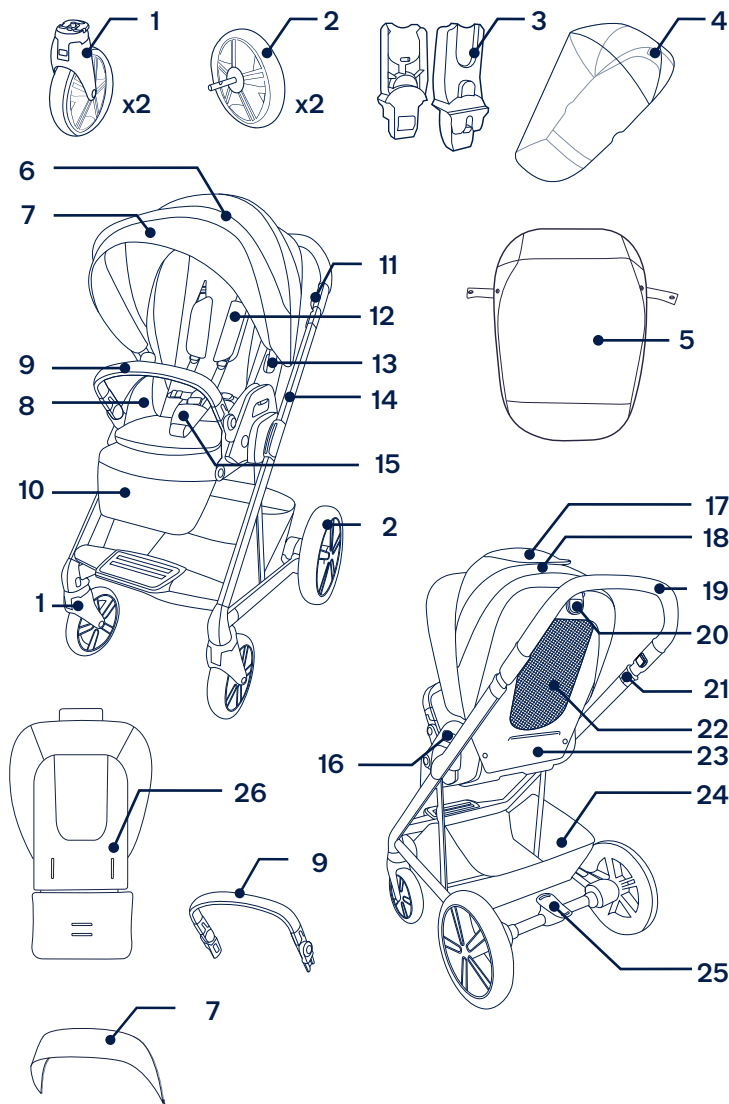
Lista de componentes

Certifique-se de que todas as peças estão disponíveis antes da montagem.

Se alguma peça estiver em falta, contacte o revendedor local. Não são necessárias ferramentas para a montagem.

! PERIGO DE ASFIXIA: Remova e descarte de imediato as tampas de proteção de cada roda e do eixo do cubo da roda.

- | | |
|----------------------------------|------------------------------------|
| 1 Roda dianteira (x2) | 15 Fivela e capa das virilhas |
| 2 Roda traseira (x2) | 16 Botão de desbloqueio da cadeira |
| 3 Adaptador para cadeira | 17 Janela superior da cobertura |
| 4 Capa impermeável | 18 Janela traseira da cobertura |
| 5 Manta | 19 Pega de desengate do carrinho |
| 6 Cobertura | 20 Botão de ajuste de reclinção |
| 7 Visor da cobertura | 21 Botão de fecho |
| 8 Capa de tecido acolchoado | 22 Ventilação da cadeira |
| 9 Barra de proteção frontal | 23 Bolso de armazenamento |
| 10 Apoio da perna | 24 Cesto de armazenamento |
| 11 Botão de ajuste da pega | 25 Alavanca do travão |
| 12 Almofadas das alças | 26 Redutor |
| 13 Ganchos da cobertura | |
| 14 Estrutura do carrinho de bebé | |



Montagem do produto

Abrir o carrinho de bebê

- 1 - Abra o trinco como ilustrado (1). Levante a pega pelos lados e rode para a traseira do carrinho. O som de um “clique” indica que a estrutura do carrinho está completamente aberta. (2)
 - 2 - Pressione o botão de ajuste de reclinção na traseira da cadeira e rode o apoio das costas para a posição vertical. (3)
- ! Verifique se o carrinho está totalmente aberto antes de continuar.

Cobertura

- 1 - Utilize o fecho para prender o visor da cobertura ao interior da cobertura. (4)
- 2 - Introduza os ganchos da cobertura nos encaixes da cobertura nas laterais do carrinho. O som de um clique indica que a cobertura está corretamente montada. (5)

Rodas dianteiras

- 1 - Introduza a roda dianteira na perna dianteira. O som de um clique indica que a roda dianteira está totalmente montada. (6) Repita no lado oposto.
- ! Verifique se a roda está devidamente encaixada puxando-a para fora.
- 2 - Para remover a roda dianteira, pressione o botão de desbloqueio (7)-1 e desencaixe a roda dianteira da perna dianteira. (7)-2

Rodas traseiras

- 1 - Introduza a roda traseira na perna traseira. O som de um clique indica que a roda traseira está totalmente montada. Repita no lado oposto. (8)
- ! Certifique-se de que as rodas estão devidamente encaixadas puxando-as para fora.
- 2 - Para remover a roda traseira, pressione o botão de desbloqueio (9)-1 e desencaixe a roda traseira da perna traseira. (9)-2

Barra de proteção frontal

- ! Prenda sempre a criança com as alças. A barra de proteção frontal não é um dispositivo de retenção.
- 1 - Alinhe as extremidades da barra de proteção frontal com os suportes da barra de proteção frontal e introduza até ouvir um clique e ficar no lugar. O som de um clique indica que a barra de proteção frontal está totalmente montada. (10)
 - 2 - Para remover a barra de proteção frontal, pressione os botões de desbloqueio da mesma (11)-1 e levante-a. (11)-2
 - 3 - Para uma configuração mais compacta quando a cadeira estiver virada para trás, pressione os botões de ajuste da barra de proteção frontal (12)-1 e rode a barra de proteção frontal para baixo (12)-2 até ouvir um clique e ficar no lugar.
- ! **NUNCA** utilize a barra de proteção na posição baixada/dobrada quando a criança estiver no carrinho.

A ilustração (13) apresenta o carrinho totalmente montado.

Verificar a montagem

- A estrutura do carrinho está aberta e bloqueada
- As rodas dianteiras e as rodas traseiras estão devidamente encaixados
- O suporte da cobertura está encaixado na estrutura do carrinho e a cobertura está presa à capa de tecido acolchoado da cadeira
- A barra de proteção frontal está devidamente encaixada

Utilização do produto

- ! O travão **DEVE** estar acionado quando o carrinho estiver parado e quando a criança for colocada e removida.

Prender a criança

- ! Para evitar lesões graves devido a quedas ou deslizos, utilize sempre o cinto de segurança. Certifique-se de que as alças estão devidamente ajustadas e a criança segura. O espaço entre a criança e as alças deve ter a espessura aproximada de um dedo. **NÃO** cruze as correias dos ombros. Ao fazê-lo, estará a pressionar o pescoço da criança.
- 1** - Pressione o botão central na fivela para soltar o bloqueio das fivelas, remova os ganchos e coloque a criança na cadeira do carrinho. **(14)**
- 2** - Una a fivela dos ombros e a fivela da cintura. **(15)**
- 3** - Prenda a fivela dos ombros e a fivela da cintura no bloqueio das fivelas e repita no lado oposto. **(16)**
- 4** - Ajuste as alças confortavelmente ao corpo da criança puxando as correias de ajuste para apertar **(17)**-1. Em seguida, puxe as correias de ajuste para fora **(17)**-2.

Posição das alças

- 1** - As fivelas superiores das alças podem mover-se para cima e para baixo para um maior ajuste. **(18)**

Cinto das virilhas

Identifique a ranhura do cinto das virilhas para obter um ajuste confortável. Mude a ranhura do cinto das virilhas se necessário.

- 1 - Os bebés mais pequenos utilizam esta posição. (19)-1
- 2 - Os bebés mais maiores utilizam esta posição. (19)-2

Cobertura

- 1 - Para abrir a cobertura, puxe-a para a frente da cadeira. Para fechar a cobertura, empurre-a para trás. (20)
- 2 - Posicione o visor da cobertura para a frente ou para trás, conforme necessário. Quando não estiver a ser utilizado, dobre o visor da cobertura sob a cobertura. (21)
- 3 - Abra o fecho da cobertura para ter mais sombra e ventilação. (22)
- 4 - Para ventilar, destape a janela da cobertura. (23)
- 5 - Para ventilar, destape a janela da cobertura. (24)

Bloqueios giratórios dianteiros

Recomenda-se a utilização dos bloqueios giratórios dianteiros em superfícies irregulares.

- 1 - Pressione (25)-1 e puxe o bloqueio giratório dianteiro (25)-2 para bloquear a roda dianteira virada para a frente. Poderá ser necessário mover a roda para que a mesma fique bloqueada.
- 2 - Pressione o bloqueio giratório dianteiro para desbloquear. (26)

Travão

- 1 - Para bloquear as rodas traseiras, pise a zona vermelha da alavanca do travão. (27)
 - 2 - Para desbloquear as rodas traseiras, pise a zona verde da alavanca do travão. (28)
- ! Acione o travão sempre que parar o carrinho. Empurre ligeiramente o carrinho de bebé para garantir que o travão está acionado.

Pega

A pega possui 3 posições.

- 1 - Para ajustar a altura da pega, pressione os botões de ajuste da pega(29)-1 e puxe a pega para cima ou para baixo. (29)-2

Ajuste da reclinção

O apoio das costas apresenta 5 posições de reclinção.

- 1 - Para subir ou descer o apoio das costas, pressione o botão de ajuste de reclinção e puxe a cadeira para cima ou para baixo. (30)

Apoio da perna

O apoio da perna apresenta 2 posições de utilização.

- 1 - Levante o apoio da perna para subi-lo. (31)
- 2 - Para baixar o apoio da perna, pressione os botões de ajuste nas laterais (32)-1, e pressione para baixo. (32)-2

Redutor

O redutor pode ser removido durante o tempo quente para sentar a criança sobre uma zona de malha para uma melhor ventilação.

- 1 - Para remover o redutor, separe o velcro do redutor da traseira da cadeira, passe as alças através das ranhuras das alças e remova a capa de tecido acolchoado. **(33)**

! **NÃO** remova o tubo do apoio das costas.

Inverter cadeira

A cadeira pode ser utilizada virada para trás ou para a frente.

- 1 - Pressione os botões de desbloqueio da cadeira e levante-a. **(34)**
- 2 - Vire a cadeira na direção oposta e coloque-a sobre os suportes da cadeira até ouvir um clique e ficar no lugar. O som de um **clique** indica que a cadeira está encaixada. **(35)**

! Certifique-se de que a cadeira está devidamente encaixada puxando-a para cima.

Dobrar

Antes de dobrar, empurre a cobertura para a traseira do carrinho.

- 1 - Pressione o botão de ajuste de reclinção na traseira da cadeira **(36)-1** e rode o apoio das costas para a posição de armazenamento. **(36)-2**
- 2 - Puxe os botões de fecho para cima **(37)-1** e empurre o carrinho para a frente para dobrar. **(37)-2**

- 3 - Bloqueie o carrinho colocando o trinco de armazenamento no suporte de armazenamento. **(38)**

Acessórios

Adaptadores para cadeira auto

Quando utilizar o carrinho com transportadores Nuna, consulte as seguintes instruções.

- 1 - Para encaixar os adaptadores, coloque-os sobre os suportes da cadeira, tal como ilustrado. O som de um **clique** indica que os adaptadores estão encaixados. **(39)**
- 2 - Para encaixar o transportador, coloque-o sobre os adaptadores, tal como ilustrado **(40)**. O som de um **clique** indica que o transportador está bloqueado. **(41)**
- 3 - O ângulo do transportador pode ser ajustado com os nossos adaptadores ajustáveis. **(42)**
- 4 - Para remover o transportador, eleve-o **(43)-2** enquanto pressiona os botões de desbloqueio do carrinho. **(43)-1**
- 5 - Para remover os adaptadores, eleve-os **(44)-2** enquanto puxa os botões de desbloqueio. **(44)-1**

Manta

A manta macia proporciona à sua criança um ambiente quente e confortável.

- 1 - Coloque a manta sobre a cadeira, aperte as molas da manta e da cadeira **(45)-1**, repita no lado oposto.
- 2 - A ilustração **(45)** apresenta a manta instalada.

Capa impermeável

Certifique-se de que a cobertura está completamente aberta antes de encaixar a capa impermeável.

1 - Para instalar a capa impermeável, coloque-a sobre o carrinho. **(46)**

! Verifique **SEMPRE** a ventilação quando a capa impermeável estiver instalada no produto.

Verifique **SEMPRE** se a capa impermeável foi limpa e seca antes de a dobrar.

NÃO dobre o carrinho com a capa impermeável encaixada.

NÃO coloque a criança no carrinho com a capa impermeável em tempo quente.

Limpeza e manutenção

Limpe a estrutura, peças de plástico e o tecido com um pano humedecido sem utilizar produtos abrasivos ou lixívia. Não utilize lubrificantes de silicone, pois os mesmos atraem sujidade e gordura. Não armazene o carrinho de bebé num local húmido.

Limpe as rodas do carrinho regularmente com água e remova qualquer sujidade.

Para garantir uma utilização duradoura, limpe este produto com um pano macio e absorvente após a utilização em tempo chuvoso.

Consulte as instruções de lavagem e secagem na etiqueta afixada no tecido.

É normal que o tecido exiba cores desvanecidas devido à luz solar e que apresente desgaste após um longo período de utilização, mesmo quando utilizado de forma normal.

Por motivos de segurança, utilize apenas peças originais da Nuna.

Verifique regularmente se tudo funciona corretamente. Se alguma peça estiver rasgada, partida ou em falta, interrompa a utilização deste produto.

NUNA International B.V.
NUNA e todos os logótipos associados são marcas comerciais.

**WAŻNE!
NALEŻY PRZECZYTAĆ
UWAŻNIE
I ZACHOWAĆ DO
WYKORZYSTANIA
W PRZYSZŁOŚCI.**

Spis treści

Informacje o produkcie	143
Rejestracja produktu	
Gwarancja	
Kontakt	
Zakres zastosowania	144
Ostrzeżenia	145
Wykaz części	149
Konfiguracja produktu	151
Korzystnie z produktu	154
Akcesoria	158
Adapter fotelika samochodowego	
Fartuch	
Ostona przeciwdeszczowa	
Czyszczenie i konserwacja	160

Informacje o produkcie

Numer modelu: _____

Data produkcji: _____

Rejestracja produktu

Proszę wpisać informacje powyżej. Numer modelu i data produkcji znajdują się na spodzie ramy wózka dziecięcego.

Aby zarejestrować produkt odwiedź stronę:

www.nunababy.com

Kliknij łącze „Zarejestruj produkt” na stronie domowej.

Gwarancja

Nasze wysokiej jakości produkty projektowane są celowo tak, że mogą rosnąć wraz z dzieckiem i rodziną. Ponieważ troszczymy się o nasze produkty, są one objęte gwarancją produktową, rozpoczynającą się w dniu zakupu. W razie kontaktu z nami prosimy o przygotowanie dowodu zakupu, numeru modelu oraz daty produkcji.

W celu uzyskania informacji o gwarancji, należy odwiedzić stronę internetową:

www.nunababy.com

Kliknij łącze „Gwarancja” na stronie domowej.

Kontakt

W celu uzyskania części zamiennych, serwisu lub z dodatkowymi pytaniami dotyczącymi gwarancji, prosimy o kontakt z naszym działem obsługi klienta.

info@nunababy.com

www.nunababy.com

Zakres zastosowania

Wózek spacerowy nadaje się dla dzieci spełniających następujące wymagania:

od urodzenia do 22 kg lub 4 lata, w zależności od tego, co nastąpi wcześniej.

Podczas używania wózka dziecięcego z torbami do noszenia niemowlęcia MIXX lub nosidełkami Nuna, należy sprawdzić wymagania dotyczące używania, wymienione w instrukcjach.

⚠ OSTRZEŻENIE

Niestosowanie się do tych ostrzeżeń i instrukcji, może spowodować poważne obrażenia lub śmierć.

Zawsze używaj systemu zapieczętowania.

Sprawdź, czy urządzenia mocujące gondolę lub siedzisko lub fotelik samochodowy są prawidłowo załączone przed użyciem.

Nie pozwalaj dziecku bawić się tym wyrobem.

Upewnij się przed użyciem, czy wszystkie urządzenia blokujące są włączone.

Nigdy nie zostawiaj dziecka bez opieki.

Niniejszy wyrob nie jest odpowiedni do biegania ani jazdy na rolkach.

Aby uniknąć obrażeń, upewnij się, czy dziecko jest odsunięte kiedy rozkłada się lub składa niniejszy wyrob.

Nie należy używać akcesoriów niezatwierdzonych przez producenta. Używać należy wyłącznie części zamiennych dostarczonych lub zalecanych przez producenta/dystrybutora.

Wymagany jest montaż przez osobę dorosłą.

ZAWSZE, kiedy wózek stoi hamulec powinien być zablokowany.

Wszelkie uszkodzenia spowodowane zastosowaniem akcesoriów nie dostarczanych przez Nuna nie będą objęte gwarancją.

Każdy ładunek przymocowany do uchwytu i/ lub z tyłu oparcia i/lub na bokach wózka będzie wpływać na stabilność wózka.

Przed dopuszczeniem dziecka w pobliże wózka należy upewnić się, że jest on całkowicie rozłożony i zatrzaśnięty w zapadkach.

NIE WOLNO przewozić na wózku dodatkowych dzieci, ładunków, akcesoriów, za wyjątkiem dopuszczonych w niniejszej instrukcji. Może to spowodować niestabilność wózka.

NIE WOLNO pozostawiać wózka w pobliżu silnych źródeł ciepła np. grzejników lub otwartego ognia.

NIE WOLNO kłaść żadnych przedmiotów na daszku.

NIE WOLNO przechowywać wózka w wilgotnym miejscu. Pozwolić zawsze na naturalne wyschnięcie tkaniny, z dala od bezpośrednich źródeł ciepła.

NIE WOLNO używać kosza transportowego do przewożenia dziecka.

NIE WOLNO korzystać wózka, kiedy którakolwiek część jest uszkodzona lub jej brakuje.

Foteliki samochodowe używane w połączeniu z podstawą nie zastępują łóżeczka dziecięcego ani łóżka. Gdy dziecko chce spać, należy je umieścić w odpowiednim wózku dziecięcym, łóżeczku dziecięcym lub na łóżku.

Małe części należy trzymać z dala od dzieci ponieważ stwarzają ryzyko zadławienia.

Ostrożnie przemieszczać się po krawężnikach i na nierównym terenie. Powtarzające się uderzenia mogą spowodować uszkodzenie wózka dziecięcego.

NIGDY nie wolno zezwalać dziecku na stanie na wózku.

NIGDY nie należy przewozić więcej niż jednego dziecka w wózku.

NIGDY nie należy używać wózka dziecięcego na schodach lub schodach ruchomych. Można nagle stracić kontrolę na wózkiem i dziecko może wypaść.

Uprząż musi zawsze być prawidłowo zamocowana i wyregulowana. Uprząż nie zastępuje prawidłowego nadzoru osoby dorosłej.

Podczas wkładania i wyjmowania dzieci należy uruchomić hamulec postojowy.

Przeciążanie, nieprawidłowe składanie oraz korzystanie z akcesoriów np. fotelików dziecięcych, zaczepów na torby, osłon przeciwdeszczowych, wózków itp., innych niż zatwierdzone przez Nuna może spowodować uszkodzenie lub uczynić wózek niebezpiecznym.

Gumowe opony mogą pozostawiać czarne ślady na gładkich powierzchniach takich jak parkiety, laminaty i linoleum.

RYZYKO UDUSZENIA NIE wolno umieszczać na szyi dziecka elementów ze sznurkiem, pozostawiać wiszących sznurków na tym produkcie lub wiązać sznurków do zabawek.

W celu uniknięcia jakiegokolwiek niebezpieczeństwa uduszenia, przed użyciem urządzenia należy usunąć wszelkie osłony plastikowe i zniszczyć je lub trzymać z dala od niemowląt i dzieci!

Aby zapobiec niebezpiecznym sytuacjom, niestabilności, w koszu nie należy umieszczać więcej niż 4,5 kg bagażu i więcej niż 0,45 kg w kieszeni transportowej.

Dla noworodków **UŻYWAĆ** w najbardziej nachylonej pozycji.

Wózek dziecięcy można używać dla dziecka o masie ciała poniżej 22 kg. Nieodpowiednia waga dziecka może spowodować uszkodzenie wózka.

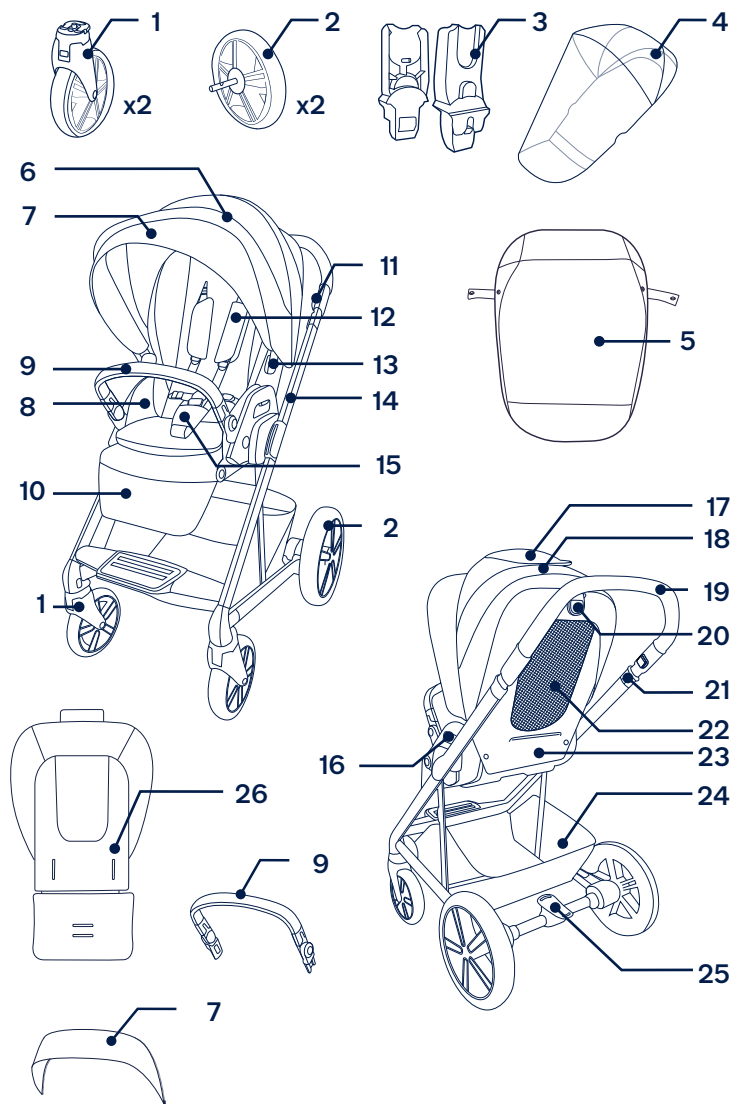
Wykaz części

Przed montażem należy się upewnić, że dostępne są wszystkie części.

Jeśli któreś z części brakuje, należy się skontaktować z lokalnym sprzedawcą. Do montażu nie są potrzebne żadne narzędzia.

! RYZYKO ZADŁAWIENIA: Zdemontować i natychmiast wyrzucić zaślepki zabezpieczające z każdego z kół i piast osi kół.

- | | |
|----------------------------------|--|
| 1 Koło przednie (x2) | 13 Zatrzaski daszka |
| 2 Koło tylne (x2) | 14 Rama wózka |
| 3 Adapter fotelika samochodowego | 15 Sprzączka i osłona uprząży na krocze |
| 4 Osłona przeciwdeszczowa | 16 Przycisk zwolnienia fotelika |
| 5 Fartuch | 17 Górne okno daszka |
| 6 Daszek | 18 Tylne okno daszka |
| 7 Osłona przeciwsłoneczna daszka | 19 Uchwyt wózka |
| 8 Poduszka fotelika | 20 Przycisk regulacji odchylenia oparcia |
| 9 Wspornik ramion | 21 Przycisk składania |
| 10 Podparcie tydek | 22 Wentylacja fotelika |
| 11 Przycisk regulacji uchwytu | 23 Kieszka transportowa |
| 12 Poduszki uprząży na ramiona | 24 Koszyk transportowy |
| | 25 Dźwignia hamulca |
| | 26 Wkładka |



Konfiguracja produktu

Rozkładanie wózka dziecięcego

- 1 - Otworzyć zapadkę transportową jak pokazano na rys. (1). Podnieść uchwyt z boków do góry i przekręcić w stronę tyłu wózka. Dźwięk „kliknięcia” oznacza, że rama wózka została całkowicie otwarta. (2)
 - 2 - Ściśnij przycisk regulacji nachylenia z tyłu fotelika wózka i obróć oparcie do położenia pionowego. (3)
- ! Przed kontynuowaniem należy sprawdzić, czy wózek dziecięcy jest całkowicie rozłożony.

Daszek

- 1 - Przypiąć, korzystając z zamka błyskawicznego, osłonę przeciwstónczną do wnętrza daszka. (4)
- 2 - Włożyć zatrzaski daszka do mocowań daszka na bokach wózka. Dźwięk kliknięcia oznacza, że daszek jest całkowicie zamontowany. (5)

Koła przednie

- 1 - Włożyć przednie kółko do przedniej nogi. Dźwięk kliknięcia oznacza, że kółko jest całkowicie zamontowane. (6) Powtórzyć czynności z drugiej strony.
- ! Przez pociągnięcie sprawdzić, czy kółka są dobrze przymocowane.
- 2 - W celu zdemonstrowania przedniego kółka, nacisnąć przycisk zwalniania (7)-1 i odłączyć przednie kółko od nogi. (7)-2

Koła tylne

- 1 - Włożyć tylne kółko do tylnej nogi. Dźwięk „kliknięcia” oznacza, że tylne kółko jest całkowicie zamontowane. Powtórzyć czynności z drugiej strony. (8)
- ! Przez pociągnięcie sprawdzić, czy kółka są dobrze przymocowane.
- 2 - W celu zdemonstrowania tylnego kółka, nacisnąć przycisk zwalniania (9)-1 i odłączyć tylne kółko od tylnej nogi. (9)-2

Poprzeczka

- ! Zawsze należy przymocować dziecko za pomocą upręży. Poprzeczka nie jest urządzeniem podtrzymującym.
- 1 - Wyrównaj końce poprzeczki z mocowaniami poprzeczki i włożyć je do usłyszenia kliknięcia na miejscu. Dźwięk kliknięcia oznacza, że poprzeczka jest całkowicie zamontowana. (10)
 - 2 - W celu zdemonstrowania poprzeczki, nacisnąć przyciski zwalniania poprzeczki (11)-1 i unieść poprzeczkę do góry. (11)-2
 - 3 - W celu złożenia w większym stopniu, kiedy fotelik jest ustawiony tyłem do kierunku jazdy, nacisnąć przyciski regulacji poprzeczki (12)-1 i obrócić poprzeczkę w dół (12)-2 do kliknięcia na miejscu.
- ! **NIGDY** nie należy stosować pozycji opuszczonej/ złożonej poprzeczki z dzieckiem w wózku.

Całkowicie złożony wózek dziecięcy jest pokazany na rysunku (13).

Sprawdzenie konfiguracji

- Rama wózka jest otwarta i zatrzaśnięta
- Przednie i tylne kółka są pewnie przymocowane
- Mocowania daszka przymocowane są do ramy wózka i daszek jest przymocowany do wkładki siedzenia
- Poprzeczka jest pewnie przymocowana

Korzystnie z produktu

- ! Podczas wkładania i wyjmowania dziecka ze stojącego wózka **MUSI** zostać uruchomiony hamulec postojowy.

Przypinanie dziecka

- ! Aby uniknąć poważnych obrażeń w wyniku upadku lub zsunięcia, należy używać pasa bezpieczeństwa. Należy się upewnić, że uprząż jest prawidłowo wyregulowana i dziecko jest dobrze zabezpieczone. Odległość między dzieckiem a uprzężą na ramiona powinna wynosić około grubości jednego palca. **NIE NALEŻY** krzyżować pasów na ramiona. Może to spowodować nacisk na kark dziecka.

- 1 - Nacisnąć centralny przycisk na sprzączce w celu zwolnienia zapadki sprzączki, wyciągnąć zatrask i umieścić dziecko w wózku. **(14)**
- 2 - Połączyć sprzączkę na ramiona i sprzączkę na biodra. **(15)**
- 3 - Przymocować sprzączkę na ramiona i sprzączkę na biodra do zapadki sprzączki i powtórzyć czynność dla przeciwnej strony. **(16)**
- 4 - Dokładnie dopasować uprząż do dziecka pociągając paski do regulacji w celu naprężenia **(17)-1**. Następnie pociągnąć na zewnątrz paski regulacyjne talii **(17)-2**.

Położenie uprzęży na ramiona

- 1 - Górne sprzączki uprzęży na ramiona mogą być przesuwane do góry i w dół celem uzyskania regulacji. **(18)**

Pas kroczywy

Znaleźć szczelinę pasa kroczywego, która zapewni ścisłe dopasowanie. Jeżeli konieczne, zmienić szczelinę pasa kroczywego.

- 1 - Pozycja dla mniejszych dzieci. **(19)-1**
- 2 - Pozycja dla większych dzieci. **(19)-2**

Daszek

- 1 - Aby otworzyć daszek pociągnąć daszek w stronę przodu siedziska. Aby zamknąć daszek, popchnąć go do tyłu. **(20)**
- 2 - W zależności od potrzeby umieścić osłonę przeciwsłoneczną z przodu lub z tyłu. Jeżeli nie jest używana złożyć osłonę przeciwsłoneczną pod daszkiem. **(21)**
- 3 - Odpiąć zamek na daszku, w celu uzyskania dodatkowego cienia i wentylacji. **(22)**
- 4 - W celu zapewnienia wentylacji odchylić do góry pokrywę górnego okna daszka. **(23)**
- 5 - W celu zapewnienia dodatkowej wentylacji odchylić do góry pokrywę tylnego okna daszka. **(24)**

Blokady obrotu kół przednich

Korzystanie z blokady obrotu kół przednich zalecane jest na nierównych powierzchniach.

- 1 - Ścisnąć **(25)-1** i wyciągnąć blokadę obrotu koła przedniego **(25)-2** w celu zablokowania koła przedniego w pozycji skierowanej do przodu. Konieczne może być przemieszczenie koła w celu zablokowania.

- 2 - Wcisnąć blokady obrotu kół przednich, w celu odblokowania. **(26)**

Hamulec

- 1 - W celu zablokowania kół tylnych nacisnąć nogą na czerwony obszar dźwigni hamulca. **(27)**
 - 2 - W celu odblokowania kół tylnych nacisnąć nogą na zielony obszar dźwigni hamulca. **(28)**
- ! Zawsze, kiedy wózek stoi hamulec powinien być zablokowany. Popchnąć wózek nieznacznie do przodu w celu upewnienia się, że hamulec działa.

Uchwyt

Uchwyt ma 3 pozycje.

- 1 - W celu wyregulowania wysokości uchwytu, nacisnąć przyciski regulacji uchwytu **(29)-1** i pociągnąć uchwyt do góry lub do dołu. **(29)-2**

Regulacja nachylenia

Dostępne jest 5 pozycji nachylenia oparcia pleców.

- 1 - W celu podniesienia lub opuszczenia oparcia pleców, nacisnąć przycisk regulacji nachylenia oparcia i pociągnąć siedzenie do góry lub do dołu. **(30)**

Oparcie tydek

Oparcie tydek ma 2 pozycje użytkowania.

- 1 - Aby unieść oparcie tydek, podnieść je do góry. **(31)**
- 2 - W celu opuszczenia oparcia tydek, nacisnąć przyciski regulacji z boków **(32)-1** i popchnąć w dół. **(32)-2**

Wkładka

Wkładkę można wyjąć w celu uzyskania siatkowego siedzenia zapewniającego lepszą wentylację przy upalnej pogodzie.

- 1 - W celu usunięcia wkładki oddzielić połączenie na rzep wkładki z tyłem siedzenia, rozpiąć uprząż, przeprowadzić uprząż przez szczeliny na uprząż i wyjąć wkładkę. (33)

! NIE NALEŻY zdejmować rurki oparcia pleców.

Odwracanie siedzenia

Siedzenie może zostać zamontowane tyłem do kierunku jazdy lub przodem do kierunku jazdy.

- 1 - Ścisnąć przyciski zwalniania siedzenia i podnieść siedzenie do góry. (34)
- 2 - Obrócić siedzenie w przeciwnym kierunku i umieścić na mocowaniach siedzenia do usłyszenia kliknięcia na miejscu. Dźwięk „kliknięcia” oznacza, że siedzenie jest przymocowane. (35)

! Sprawdzić pociągając w górę, czy siedzenie jest dobrze przymocowane.

Składanie

Przed złożeniem popchnąć daszek w kierunku tyłu wózka.

- 1 - Ścisnąć przyciski regulacji nachylenia z tyłu siedzenia (36)-1 i obrócić oparcie do położenia przechowywania. (36)-2
- 2 - Pociągnąć przyciski składania (37)-1 i popchnąć wózek do przodu w celu złożenia. (37)-2

- 3 - Zablokować wózek zakładając zapadkę do przechowywania na mocowanie do przechowywania. (38)

Akcesoria

Adapter fotelika samochodowego

Podczas używania wózka z nosidełkami dla niemowląt Nuna należy stosować się do poniższych instrukcji.

- 1 - W celu przymocowania adapterów, umieścić adaptery na mocowaniach siedzenia jak pokazano. Dźwięk kliknięcia oznacza, że adaptery są zablokowane. (39)
- 2 - W celu przymocowania nosidełka dla niemowlęcia, umieścić nosidełko dla niemowlęcia na adapterach jak pokazano (40). Dźwięk kliknięcia oznacza, że nosidełko dla niemowlęcia jest zablokowane. (41)
- 3 - Kąt nachylenia nosidełka dla niemowlęcia można regulować za pomocą naszych regulowanych adapterów. (42)
- 4 - W celu zdemontowania nosidełka dla niemowlęcia, pociągnąć do góry nosidełko dla niemowlęcia (43)-2 przyciskając jednocześnie przyciski zwalniania z wózka. (43)-1
- 5 - W celu usunięcia adapterów, pociągnąć adaptery do góry (44)-2 jednocześnie pociągając przyciski zwolnienia. (44)-1

Fartuch wózka

Miękki fartuch na nogi zapewnia dziecku ciepłe i komfortowe środowisko.

- 1 - Umieścić fartuch nad siedzeniem, połączyć zatrzaski na fartuchu i siedzeniu **(45)-1**, powtórzyć te same czynności po drugiej stronie.
- 2- Założony fartuch pokazany jest na ilustracji **(45)**.

Osłona przeciwdeszczowa

Przed przymocowanie osłony przeciwdeszczowej należy sprawdzić, czy daszek jest otwarty.

- 1 - W celu zamontowania osłony przeciwdeszczowej należy umieścić ją nad wózkiem. **(46)**

! **ZAWSZE**, kiedy osłona przeciwdeszczowa jest na produkcie należy sprawdzić wentylację.

ZAWSZE należy pamiętać o wyczyszczeniu i wysuszeniu osłony przeciwdeszczowej przed złożeniem.

NIE NALEŻY składać wózka dziecięcego, gdy osłona przeciwdeszczowa jest nadal przymocowana.

W przypadku upalnej pogody **NIE WOLNO** wkładać dziecka do wózka z założoną osłoną przeciwdeszczową.

Czyszczenie i konserwacja

Oczyścić ramę, części plastikowe i tkaninę wilgotną szmatką, ale nie stosować środków ścieranych ani wybielających. Nie stosować smarów silikonowych ponieważ przyciągają one zanieczyszczenia i bród. Nie wolno przechowywać wózka w wilgotnym miejscu.

Regularnie czyścić wodą kółka wózka i usuwać wszystkie zabrudzenia.

W celu zapewnienia długiej żywotności, po użyciu w deszczowej pogodzie, wytrzeć produkt miękką chłonną ściereczką.

Instrukcja prania i suszenia tkaniny znajduje się na etykiecie dotyczącej konserwacji.

Normalne jest blaknięcie tkaniny pod wpływem światła słonecznego oraz obecność śladów zużycia i rozerwań po długim okresie użytkowania, nawet podczas normalnego użytkowania.

Z względów bezpieczeństwa należy używać wyłącznie oryginalnych części Nuna.

Regularnie sprawdzać, czy wszystko działa prawidłowo. Jeśli któraś z części jest rozerwana, złamana lub jej brakuje, należy zaprzestać korzystania z produktu.

**DŮLEŽITÉ,
POKYNY SI POZORNĚ
PŘEČTĚTE A USCHOVEJTE
PRO POZDĚJŠÍ POUŽITÍ**

Obsah

Informace o produktu	163
Registrace produktu	
Záruka	
Kontakt	
Požadavky na používání s dítětem	164
Upozornění	165
Seznam dílů	169
Sestavení produktu	171
Používání produktu	173
Příslušenství	177
Adaptér pro instalaci autosedačky	
Nánožník kočárku	
Pláštěnka	
Čištění a údržba	179

Informace o produktu

Číslo modelu: _____

Datum výroby: _____

Registrace produktu

Vyplňte prosím výše uvedené informace. Číslo modelu a datum výroby jsou uvedeny na štítku na dolní části rámu kočárku.

Svůj produkt můžete zaregistrovat na webu:

www.nunababy.com

Klikněte na odkaz „Registrace produktu“ na domovské stránce.

Záruka

Naše vysoce kvalitní produkty jsou navrženy tak, aby mohly růst s vaším dítětem i s vaší rodinou. Protože si za svým produktem stojíme, vztahuje se na něj záruka dva roky, která začíná platit dnem jeho zakoupení. Než nás budete kontaktovat, připravte si doklad o zakoupení, číslo modelu a datum výroby.

Informace o záruce najdete na webu:

www.nunababy.com

Klikněte na odkaz „Záruka“ na domovské stránce.

Kontakt

V případě náhradních dílů, servisu nebo dalších dotazů k záruce kontaktujte prosím naše oddělení zákaznického servisu.

info@nunababy.com

www.nunababy.com

Požadavky na používání s dítětem

Tento kočárek je vhodný pro děti, které splňují následující podmínky:

od narození po 22 kg nebo do 4 let podle toho, která podmínka bude splněna dříve.

Při použití rámu kočárku spolu s korbou MIXX či autosedačkami Nuna si přečtěte požadavky na použití uvedené v těchto příručkách.

⚠️ UPOZORNĚNÍ

Nedodržení těchto varování a pokynů může vést k vážnému zranění nebo smrti.

Vždy používejte zádržný systém.

Před použitím zkontrolujte, zda jsou připevňovací zařízení lůžka nebo sedačky nebo autosedačky správně zaklesnuta.

Tento výrobek není hračka. Nedovolte dítěti, aby si s tímto výrobkem hrálo.

Před použitím si ověřte, že jsou všechny zajišťovací prvky zaklesnuty.

Nikdy nenechávejte dítě bez dozoru.

Tento výrobek není vhodný pro běhání, nebo jízdu na bruslích.

Při skládání a rozkládání tohoto výrobku zajistěte, aby dítě nebylo v kočárku ani poblíž a nemohlo dojít k poranění dítěte.

Je zakázáno používat příslušenství, které nebylo schváleno výrobcem. Je dovoleno používat pouze náhradní díly, které byly dodány nebo doporučeny výrobcem/distributorem.

Sestavení smí provést pouze dospělá osoba.

Když zastavíte, **VŽDY** použijte parkovací brzdu.

Na jakékoli poškození způsobené používáním příslušenství, které nebylo dodáno společností Nuna, se nebude vztahovat záruka.

Jakákoli zátěž připevněná na držadlo a/nebo na zadní stranu opěráku a/nebo na boční strany vozidla sníží jeho stabilitu.

Než dovolíte svému dítěti, aby se přiblížilo ke kočárku, zkontrolujte, zda je kočárek zcela zvednutý a zajištěný západkami.

NEVOZTE další děti, zboží, příslušenství v nebo na tomto kočárku vyjma případů, které jsou v tomto návodu povoleny. Kočárek by mohl ztratit stabilitu.

NENECHÁVEJTE tento kočárek v bezprostřední blízkosti silného zdroje tepla, například radiátoru nebo krbu.

NEUMÍSTUJTE žádné předměty na stříšku.

Kočárek **NESKLADUJTE** na vlhkém místě. Textil nechte vždy uschnout přirozeně mimo přímého tepla.

NEVOZTE dítě v úložném košíku.

Kočárek **NEPOUŽÍVEJTE**, pokud jsou některé části poškozené nebo chybí.

Používáte-li autosedačky v kombinaci s podvozkem, toto vozidlo nenahrazuje postýlku ani lůžko. Když vaše dítě potřebuje spát, uložte jej do vhodné hluboké korby, postýlky nebo na vhodné lůžko.

Malé předměty, které představují nebezpečí udušení, uchovávejte mimo dosah dětí.

Při zdolávání obrubníků a hrubého povrchu postupujte opatrně. Opakovaný náraz může tento kočárek poškodit.

V ŽÁDNÉM PŘÍPADĚ nedovolte dětem stát na kočárku.

V ŽÁDNÉM PŘÍPADĚ nepřevázejte v kočárku více dětí.

V ŽÁDNÉM PŘÍPADĚ nepoužívejte tento kočárek na schodech nebo eskalátorech. Mohlo by dojít k náhlé ztrátě kontroly nad kočárkem nebo by vaše dítě mohlo vypadnout.

Postroj musí být vždy správně připevněn a seřízen. Postroj nenahrazuje řádný dohled dospělé osoby.

Parkovací zařízení musí být při vkládání a vyjímání dítěte z kočárku vždy zaklesnuto.

Přetěžování, nesprávné skládání a používání příslušenství, například dětských sedaček, háčků na tašky, pláštěnek, stupátek atd..., které nebyly schváleny společností Nuna, mohou tento kočárek poškodit nebo omezit jeho bezpečnost.

Gumové pneumatiky mohou zanechávat černé šmouhy na hladkém povrchu, například na parketách, laminátu nebo linoleu.

NEBEZPEČÍ UŠKRCENÍ Aby se zabránilo uškrcení, neumísťujte předměty s provázky okolo krku dítěte, nezavěšujte provázky z tohoto výrobku ani nepřivazujte provázky k hračkám.

Aby se zabránilo nebezpečí udušení, před používáním tohoto předmětu odstraňte a zlikvidujte všechny plastové kryty nebo je uchovávejte mimo dosah novorozenců a dětí!

Aby se zabránilo nebezpečí a porušení stability, neumísťujte do úložného košíku více než 4,5 kg a více než 0,45 kg do úložné kapsy.

Pro novorozence **POUŽÍVEJTE** co nejvíce sklopenou polohu zádové opěrky.

Tento kočárek používejte pouze s dítětem o hmotnosti do 22 kg. Při převážení nepřipoutaného dítěte dojde k poškození kočárku.

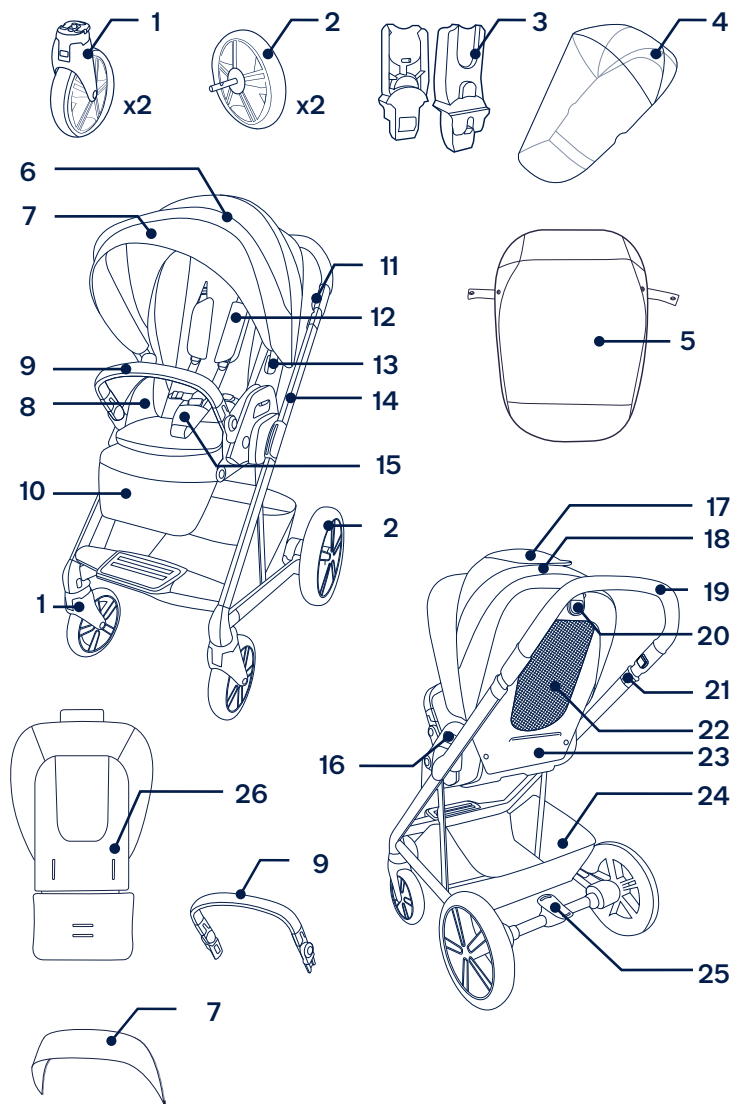
Seznam dílů

Před instalací se prosím ujistěte, že žádná část sestavy nechybí.

V případě, že některá část chybí, kontaktujte prodejce. K sestavení nejsou zapotřebí žádné nástroje.

! NEBEZPEČÍ UDUŠENÍ: Odstraňte a ihned zlikvidujte ochranné koncovky z koleček a náprav.

- | | |
|-------------------------------------|------------------------------|
| 1 Přední kolečko (x2) | 13 Svorky stříšky |
| 2 Zadní kolečko (x2) | 14 Rám kočárku |
| 3 Adaptér pro instalaci autosedačky | 15 Kryt přezky a rozkroku |
| 4 Pláštěnka | 16 Tlačítko uvolnění sedátka |
| 5 Náožník | 17 Horní okénko ve stříšce |
| 6 Stříška | 18 Zadní okénko ve stříšce |
| 7 Kšilt stříšky | 19 Rukojeť kočárku |
| 8 Vložka sedačky | 20 Tlačítko nastavení ležení |
| 9 Madlo | 21 Tlačítko rozložení |
| 10 Opěrka nohou | 22 Větrání sedátka |
| 11 Tlačítko nastavení držadla | 23 Úložná kapsa |
| 12 Vložky ramenního postroje | 24 Úložný košík |
| | 25 Páčka brzdy |
| | 26 Vložka |



Sestavení produktu

Rozkládání kočárku

- 1 - Odjistěte pojistku proti rozložení podle obrázku (1). Zvedněte rukojeť z boku a otočte ji do zadní části kočárku. „Cvaknutí“ znamená, že rám kočárku je zcela rozložen. (2)
 - 2 - Stiskněte tlačítko nastavení sklonu na zadní straně sedátka a otočte opěrák do svislé polohy. (3)
- ! Než budete pokračovat, zkontrolujte, zda je kočárek zcela rozložený.

Stříška

- 1 - Zapněte zip kšiltu k vnitřní straně stříšky. (4)
- 2 - Nasadte svorky stříšky do držáků stříšky na bočních stranách kočárku. Jakmile se ozve „cvaknutí“, znamená to, že stříška je správně nainstalována. (5)

Přední kolečka

- 1 - Zasuňte přední kolečko do přední části konstrukce. Jakmile se ozve „cvaknutí“, znamená to, že přední kolečko je správně nainstalováno. (6) Zopakujte na opačné straně.
- ! Zatažením ověřte, zda je kolečko řádně nainstalováno.
- 2 - Chcete-li přední kolečko vyjmout, stiskněte uvolňovací tlačítko (7)-1 a vysuňte přední kolečko z přední části konstrukce. (7)-2

Zadní kolečka

- 1 - Zasuňte zadní kolečko do zadní části konstrukce. Jakmile se ozve „cvaknutí“, znamená to, že zadní kolečko je správně nainstalováno. Zopakujte na opačné straně. (8)
- ! Zatažením ověřte, zda jsou kolečka řádně nainstalována.
- 2 - Chcete-li zadní kolečko vyjmout, stiskněte uvolňovací tlačítko (9)-1 a vysuňte zadní kolečko ze zadní části konstrukce. (9)-2

Opěrka rukou

- ! Vždy zajistěte své dítě postrojem. Opěrka rukou není zádržné zařízení.
- 1 - Zorientujte konce opěrky rukou s držáky opěrky rukou a zasuňte tak, aby zacvakly na místo. Jakmile se ozve „cvaknutí“, znamená to, že opěrka rukou je správně nainstalována. (10)
 - 2 - Při odnímání opěrky rukou stiskněte tlačítka pro uvolnění opěrky (11)-1 a zvedněte opěrku nahoru. (11)-2
 - 3 - Když je sedátko zorientováno proti směru jízdy, pro kompaktnější rozložení stiskněte uvolňovací tlačítka opěrky rukou (12)-1 a otočte opěrku dolů (12)-2 tak, aby zacvakla na místo.
- ! **V ŽÁDNÉM PŘÍPADĚ** nepoužívejte opěrku rukou ve snížené/sklopené poloze, když se v kočárku nachází dítě.
- Kompletně sestavený kočárek je zobrazen na obrázku (13).

Kontrola sestavení

- Rám kočárku rozložený se zajištěnými západkami
- Přední kolečka a zadní kolečka jsou řádně zajištěna
- Držák stříšky je připevněn k rámu kočárku a stříška je zapnutá zipem k vložce sedačky
- Opěrka rukou je řádně zajištěna

Používání produktu

! Při zastavení kočárku a při vkládání a vyjímání dítěte **MUSÍ** být aktivována parkovací brzda.

Zajištění dítěte

! Aby se zabránilo pádu nebo vyklouznutí a vážnému zranění, vždy používejte bezpečnostní pás. Zajistěte, aby byl postroj řádně upraven a aby bylo vaše dítě těsně připoutáno. Mezi dítětem a ramenním postrojem musí být prostor přibližně na tloušťku jednoho prstu. **NEKŘÍŽTE** ramenní pásy. Tím se vytváří tlak na krk dítěte.

- 1 - Stisknutím středového tlačítka na přezce uvolněte západku přezky. Vyjměte svorky a vložte dítě do kočárku. (14)
- 2 - Zapněte ramenní a bederní přezku. (15)
- 3 - Připevněte ramenní a bederní přezku k západce přezky a zopakujte postup na opačné straně. (16)
- 4 - Přizpůsobte postroj dítěti posunutím stavěcích popruhů (17)-1. Potom utáhněte bederní stavěcí popruhy (17)-2.

Poloha ramenního postroje

- 1 - Další nastavení lze provádět posouváním horních přezek ramenního postroje nahoru a dolů. (18)

Rozkrokový pás

Vyhledejte otvor pro rozkrokový pás, ve kterém bude zajištěno těsné upnutí. Podle potřeby změňte otvor pro rozkrokový pás.

- 1 - V případě menších dětí se používá tato pozice. (19)-1
- 2 - V případě větších dětí se používá tato pozice. (19)-2

Stříška

- 1 - Chcete-li otevřít stříšku, zatlačte ji směrem k přední části sedačky. Chcete-li stříšku složit, přitáhněte ji dozadu. (20)
- 2 - Podle potřeby umístěte kšilt dopředu nebo dozadu. Pokud kšilt nepoužíváte, složte jej pod stříšku. (21)
- 3 - Rozepnutím zipu na stříšce zlepšíte zastínění a větrání. (22)
- 4 - Pro zajištění větrání zvedněte kryt horního okénka ve stříšce nahoru. (23)
- 5 - Pro zajištění dodatečného větrání zvedněte kryt zadního okénka ve stříšce nahoru. (24)

Zámky natáčení předních koleček

Na nerovném povrchu doporučujeme zablokovat natáčení předních koleček.

- 1 - Chcete-li zablokovat přední kolečka v orientaci dopředu, stiskněte **(25)-1** a vytáhněte zámek natáčení předních koleček **(25)-2**. Aby se kolečko zablokovalo, musíte s ním pohnout.
- 2 - Zatlačením zámku natáčení předního kolečka odblokujete natáčení. **(26)**

Brzda

- 1 - Chcete-li zablokovat zadní kolečka, šlápněte na červenou plochu na páce brzdy. **(27)**
- 2 - Chcete-li odblokovat zadní kolečka, šlápněte na zelenou plochu na páce brzdy. **(28)**

! Když s kočárkem zastavíte, vždy jej zabrzděte. Mírně zatlačte na kočárek a ověřte, zda je zabrzděný.

Rukojeť

Rukojeť má 3 polohy.

- 1 - Chcete-li upravit výšku rukojeti, stiskněte stavěcí tlačítka rukojeti **(29)-1** a přitáhněte rukojeť nahoru nebo dolů. **(29)-2**

Nastavení sklonu

K dispozici je 5 poloh sklonu opěráku.

- 1 - Chcete-li opěrák zvednout nebo spustit, stiskněte tlačítko nastavení sklonu a stlačte sedačku nahoru nebo dolů. **(30)**

Opěrka nohou

Opěrka nohou má 2 polohy.

- 1 - Chcete-li opěrku nohou umístit výše, zvedněte ji. **(31)**
- 2 - Chcete-li opěrku nohou nastavit níže, stiskněte stavěcí tlačítka na stranách **(32)-1** a zatlačte opěrku směrem dolů. **(32)-2**

Vložka

Vložku lze vyjmout a nahradit síťovinou pro zajištění lepšího větrání v horkém počasí.

- 1 - Při vyjímání vložky odepněte suchý zip na vložce od zadní strany sedátka, rozepněte postroj, provlečte postroj otvory a vyjměte vložku. **(33)**

! NEVYJÍMEJTE trubici opěráku.

Otočení sedátka

Sedátko lze používat v orientaci proti nebo po směru jízdy.

- 1 - Stiskněte uvolňovací tlačítka sedátka a zvedněte sedátko nahoru. **(34)**
- 2 - Otočte sedátko do opačné polohy a umístěte na držáky sedátka tak, aby zacvaklo na místo. Jakmile se ozve „cvaknutí“, znamená to, že sedátko je řádně připevněno. **(35)**

! Zatažením zkontrolujte, zda je sedátko řádně připevněno.

Skládání

Před složením zatlačte stříšku směrem k zadní části kočárku.

- 1 - Stiskněte tlačítko nastavení sklonu na zadní straně sedátka **(36)-1** a otočte opěrák do svislé polohy. **(36)-2**
- 2 - Zatáhněte za tlačítka pro složení **(37)-1** a zatlačením kočárku dopředu jej složte. **(37)-2**
- 3 - Zajistěte kočárek zaháknutím úložné západky na úložný úchyt. **(38)**

Příslušenství

Adaptéry pro instalaci autosedačky

Při používání tohoto kočárku s autosedačkami pro novorozence Nuna, postupujte podle následujících pokynů.

- 1 - Při nasazování adaptérů umístěte adaptéry na držáky sedátka podle obrázku. Jakmile se ozve „cvaknutí“, znamená to, že adaptéry jsou zajištěné. **(39)**
- 2 - Při nasazování autosedačky umístěte autosedačku na adaptéry podle obrázku **(40)**. Jakmile se ozve „cvaknutí“, znamená to, že autosedačka je zajištěná. **(41)**
- 3 - Úhel autosedačky lze upravit s použitím našich stavitelných adaptérů. **(42)**
- 4 - Chcete-li odpojit autosedačku, zvedněte ji **(43)-2** a zároveň stiskněte tlačítka pro uvolnění kočárku. **(43)-1**
- 5 - Chcete-li odpojit adaptéry, zvedněte je nahoru **(44)-2** a zároveň zatáhněte za uvolňovací tlačítka. **(44)-1**

Nánožník kočárku

Textilní nánožník udržuje vaše dítě v teple a pohodlí.

- 1 - Nasadte nánožník přes sportovní nastavbu, zapněte patenty na nánožníku a nastavbě **(45)-1**, zopakujte postup na opačné straně.
- 2 - Nasazený nánožník je zobrazen na obrázku **(45)**.

Pláštěnka

Před nasazením pláštěnky zkontrolujte, zda je stříška zcela rozevřená.

- 1 - Nasadte pláštěnku na kočárek. **(46)**
- ! Když je na kočárku umístěna pláštěnka, **VŽDY** kontrolujte větrání.
- Před rozložením **VŽDY** zkontrolujte, zda byla pláštěnka očištěna a je suchá.
- NESKLÁDEJTE** kočárek s nasazenou pláštěnkou.
- NEUMÍSTUJTE** své dítě v horkém počasí do kočárku s nasazenou pláštěnkou.

Čištění a údržba

Rám, plastové části a potah můžete čistit vlhkým hadříkem. Nepoužívejte abrazivní prostředky ani bělidlo. Nepoužívejte silikonová maziva, která přitahují prach a nečistoty. Kočárek neskladujte na vlhkém místě.

Kolečka kočárku pravidelně čistěte vodou a odstraňujte veškeré nečistoty.

Aby byla zajištěna dlouhá životnost, po používání v deštivém počasí otřete kočárek měkkým savým hadříkem.

Pokyny pro praní a sušení jsou uvedeny na štítku s pokyny pro péči a údržbu, který je připevněn na textilií.

Je normální, že barva potahu časem vybledne a opotřebuje se v důsledku praní a/nebo slunečního záření, a to i při běžném používání.

Z bezpečnostních důvodů používejte pouze originální díly Nuna.

Pravidelně kontrolujte, zda vše funguje správně. Pokud se některá část kočárku roztrhne, praskne nebo se ztratí, přestaňte produkt používat.

NUNA International B.V. NUNA a veškerá přidružená loga jsou obchodní známky.

**DÔLEŽITÉ! PRED
POUŽITÍM PREČÍTAJTE
POZORNE TENTO NÁVOD
A USCHOVAJTE HO PRE
BUDÚCU POTREBU**

Obsah

Informácie o výrobku	183
Registrácia výrobku	
Záruka	
Kontakt	
Požiadavky na používanie s deťmi	184
Upozornenie	185
Zoznam jednotlivých častí	189
Zostavenie výrobku	191
Používanie výrobku	194
Príslušenstvo	198
Adaptér autosedačky	
Príkryvka kočíka	
Pláštenka	
Čistenie a údržba	200

Informácie o výrobku

Číslo modelu: _____

Dátum výroby: _____

Registrácia výrobku

Vyplňte vyššie uvedené informácie. Číslo modelu a dátum výroby sú uvedené na štítku na spodnej strane rámu kočíka.

Aby ste svoj výrobok zaregistrovali, navštívte:

www.nunababy.com

Na domovskej stránke kliknite na odkaz „Registrovať produkt“.

Záruka

Zámerne sme navrhli naše výrobky vysokej kvality tak, aby mohli rásť s vaším dieťaťom aj vašou rodinou. Pretože si stojíme za naším výrobkom, vzťahuje sa naň záruka dva roky začínajúc dňom zakúpenia. Ak nás budete kontaktovať, pripravte si doklad o kúpe, číslo modelu a dátum výroby.

Viac informácií o záruke nájdete na stránke:

www.nunababy.com

Na domovskej stránke kliknite na odkaz „Záruka“.

Kontakt

Ohľadne náhradných dielov, servisu alebo ďalších otázok o záruke sa obráťte na naše oddelenie služieb zákazníkom.

info@nunababy.com

www.nunababy.com

Požiadavky na používanie s deťmi

Tento kočík je vhodný na používanie s deťmi, ktoré spĺňajú nasledujúce požiadavky:

Od narodenia do 22 kg alebo 4 rokov, podľa toho, čo nastane skôr.

Pri používaní rámu kočíka s hlbokou korbou MIXX alebo detskými sedačkami Nuna si pozrite požiadavky na používanie s deťmi v ich návodoch na použitie.

UPOZORNENIE

Nedodržanie týchto výstrah a pokynov môže viesť k vážnemu poraneniu alebo smrti.

Používajte vždy upevňovací systém.

Pred použitím skontrolujte, či sú správne pripevnené upevňovacie zariadenia kočiarika, sedačky alebo autosedačky.

Tento výrobok nie je hračka. Nenechajte dieťa hrať sa s týmto výrobkom.

Pred používaním sa uistite, že všetky zaistovacie zariadenia sú zaistené.

Nikdy nenechávajte dieťa bez dozoru.

Tento výrobok nie je vhodný na behanie, korčuľovanie.

Pri rozopínaní a zapínaní sa uistite, že dieťa nie je v kočiariku, aby ste predišli prípadnému úrazu.

Príslušenstvo, ktoré nie je schválené výrobcom, sa nesmie používať. Musia sa používať len náhradné diely dodávané alebo odporúčané výrobcom/distribútorom.

Montáž musia vykonať dospelé osoby.

VŽDY, keď zastavíte, aktivujte parkovaciu brzdu.

Na žiadne poškodenie spôsobené používaním príslušenstva, ktoré nie je dodávané spoločnosťou Nuna, sa nebudú vzťahovať podmienky záruky.

Akékoľvek zaťaženie pôsobiace na rukoväť a/alebo zadnú stranu operadla a/alebo na boky vozidla ovplyvní stabilitu vozidla.

Predtým, než dovoľíte dieťaťu byť v blízkosti kočíka, sa uistite, že je kočík úplne postavený a zaistený.

NENOSTE ďalšie deti, tovar ani príslušenstvo v kočíku alebo na ňom iným spôsobom, ako je povolený v tejto príručke. Môžu spôsobiť, že sa kočík stane nestabilným.

NENECHÁVAJTE kočík vystavený v blízkosti silného zdroja tepla, t. j. radiátora alebo otvoreného ohňa.

NEUMIESTŇUJTE na plátennú striešku žiadne predmety.

NESKLADUJTE kočík na vlhkom mieste. Textil nechajte vždy prirodzene vyschnúť mimo priameho tepla.

NEPOUŽÍVAJTE úložný košík ako nosič na dieťa.

NEPOUŽÍVAJTE kočík, ak sú akékoľvek diely poškodené alebo chýbajú.

Pre autosedačky používané v spojení s podvozkom platí, že toto vozidlo nenahrádza postieľku ani posteľ. Ak vaše dieťa potrebuje spať, malo by sa umiestniť do vhodného telesa kočíka, postieľky alebo posteľe.

Malé časti uchovávajte mimo dosahu detí, pretože predstavujú nebezpečenstvo zadusenía.

Obrubníky a nerovný povrch prekonávajte s opatrnosťou. Opakovaný náraz môže spôsobiť poškodenie kočíka.

NIKDY nedovoľte deťom postaviť sa na kočík.

NIKDY neprevážajte v kočíku naraz viac ako jedno dieťa.

NIKDY nepoužívajte kočík na schodoch alebo eskalátoroch. Môžete zrazu stratiť kontrolu nad kočíkom alebo vám môže dieťa vypadnúť.

Popruhy sa musia vždy správne nasadiť a upraviť. Popruhy nie sú náhradou za riadny dohľad dospelých.

Pri vkladaní a vyberaní detí sa musí aktivovať parkovacia brzda.

Preťaženie, nesprávne skladanie a používanie príslušenstva, napr. detských sedačiek, háčikov na tašky, krytov proti dažďu, závesných stúpadiel atď..., okrem tých, ktoré schválila spoločnosť Nuna, môže kočík poškodiť alebo spôsobiť, že nebude bezpečný.

Gumené pneumatiky môžu zanechať na hladkých povrchoch, ako sú parkety, lamináty a linoleum, čierne známky oteru.

NEBEZPEČENSTVO UŠKRTEŇIA Aby sa zabránilo uškrteniu, okolo krku dieťaťa neumiestňujte predmety so šnúrkami, šnúrky nenechajte visieť z tohto výrobku ani ich neuväzujte k hračkám.

Aby ste zabránili akémukoľvek nebezpečenstvu zadusenía, pred použitím tejto položky odstráňte všetky plastové kryty a zničte ich alebo ich uchovávajte mimo dosahu dojčiat a detí!

Aby ste predišli nebezpečným a nestabilným podmienkam, neumiestňujte do úložného košíka viac ako 4,5 kg a do odkladacieho vrečka tiež viac ako 0,45 kg.

Pre novo narodené deti **POUŽÍVAJTE** úplne sklopenú chrbtovej opierky.

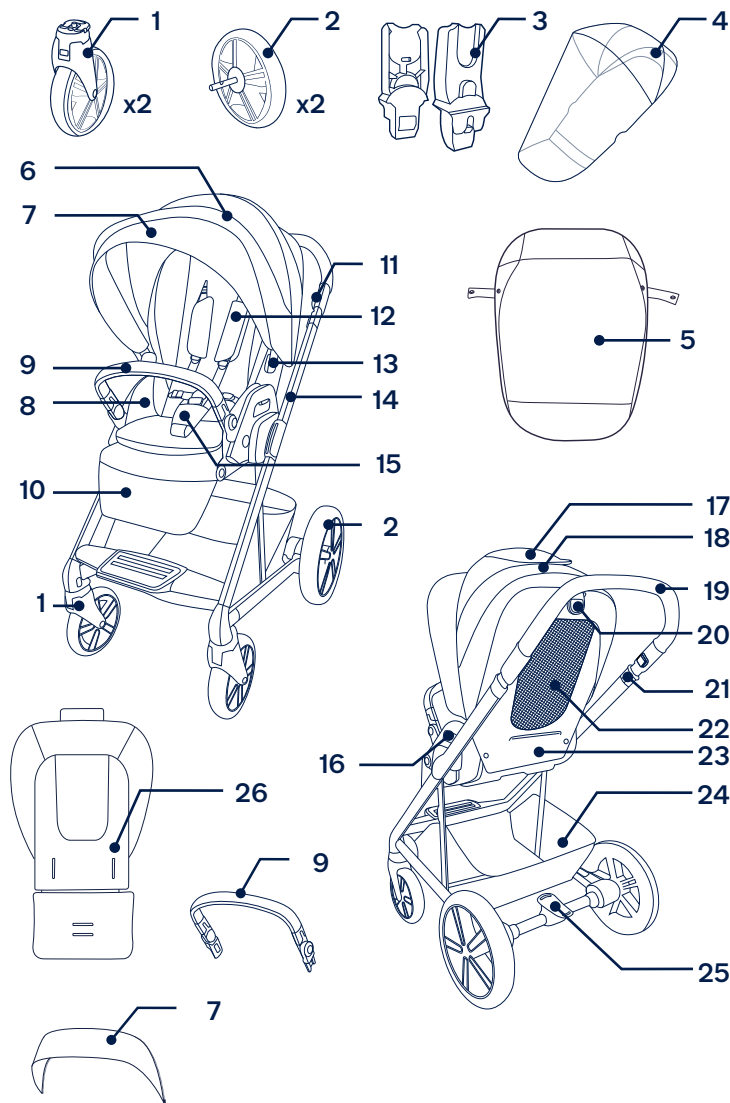
Používajte kočík s dieťaťom, ktoré neváži viac ako 22 kg. S nevhodným dieťaťom dôjde k poškodeniu kočíka.

Zoznam dielov

Pred zostavením skontrolujte, či máte všetky časti. Ak chýba ktorákoľvek časť, obráťte sa na miestneho predajcu. Na zostavenie nie sú potrebné žiadne nástroje.

! NEBEZPEČENSTVO UDUSENIA: Odstráňte a ihneď zlikvidujte ochranné koncové kryty z každého kolesa a náboja nápravy kolesa.

- | | |
|------------------------------------|------------------------------------|
| 1 Predné koleso (x2) | 14 Rám kočíka |
| 2 Zadné koleso (x2) | 15 Spona a kryt rozkroku |
| 3 Adaptér autosedačky | 16 Uvoľňovacie tlačidlo sedačky |
| 4 Pláštenka | 17 Vrchný otvor plátennej striešky |
| 5 Nánožník | 18 Zadný otvor plátennej striešky |
| 6 Plátenná strieška | 19 Rukoväť kočíka |
| 7 Kšilt striešky | 20 Tlačidlo na nastavenie sklonu |
| 8 Čalúnenie sedačky | 21 Skladacie tlačidlo |
| 9 Držadlo | 22 Vetranie sedačky |
| 10 Lýtková opierka | 23 Odkladacie vrecko |
| 11 Tlačidlo na nastavenie rukoväte | 24 Úložný košík |
| 12 Podušky ramenných popruhov | 25 Brzdová páčka |
| 13 Príchytky plátennej striešky | 26 Vložka |



Zostavenie výrobku

Rozloženie kočíka

- 1 - Otvorte poistku proti rozloženiu ako to je zobrazené na obrázku (1). Nadvihnite za rukoväť z bokov a otočte smerom k zadnej strane kočíka. Zvuk „cvaknutia“ znamená, že je rám kočíka úplne rozložený. (2)
 - 2 - Stlačte tlačidlo na nastavenie sklonu na zadnej strane sedačky a otočte operadlo do vzpriamenej polohy. (3)
- ! Pred pokračovaním skontrolujte, či je kočík úplne rozložený.

Plátenná strieška

- 1 - Kšilt plátennej striešky prizipsujte k vnútornej strane plátennej striešky. (4)
- 2 - Vložte príchytky plátennej striešky do držiakov plátennej striešky na bokoch kočíka. Zvuk „cvaknutia“ znamená, že je plátenná strieška úplne zostavená. (5)

Predné kolesá

- 1 - Zasuňte predné koleso do prednej nohy. Zvuk „cvaknutia“ znamená, že je koleso úplne zostavené. (6)
Postup zopakujte na opačnej strane.
- ! Potiahnutím smerom von skontrolujte, či je koleso bezpečne pripevnené.
- 2 - Ak chcete vybrať predné koleso, stlačte uvoľňovacie tlačidlo (7)-1 a odpojte predné koleso od prednej nohy. (7)-2

Zadné kolesá

- 1 - Zasuňte zadné koleso do zadnej nohy. Zvuk „cvaknutia“ znamená, že je zadné koleso úplne zostavené. Postup zopakujte na opačnej strane. (8)
- ! Potiahnutím kolies smerom von skontrolujte, či sú pevne pripevnené.
- 2 - Ak chcete vybrať zadné koleso, stlačte uvoľňovacie tlačidlo (9)-1 a odpojte zadné koleso od zadnej nohy. (9)-2

Držadlo

- ! Vždy zaistite dieťa popruhmi. Držadlo nie je zadržiavacie zariadenie.
- 1 - Zarovnajzte konce držadla s držiakmi držadla a zasuňte ho, kým nezacvakne na miesto. Zvuk „cvaknutia“ znamená, že je držadlo úplne zostavené. (10)
 - 2 - Ak budete chcieť vybrať držadlo, stlačte uvoľňovacie tlačidlá držadla (11)-1 a nadvihnite držadlo. (11)-2
 - 3 - Pre kompaktnjšie zloženie stlačte nastavovacie tlačidlá držadla, keď sedačka smeruje tvárou dozadu (12)-1 a otočte držadlo smerom nadol (12)-2, kým nezacvakne na miesto.
- ! NIKDY nepoužívajte držadlo v dolnej/zloženej polohe, keď je dieťa v kočíku.

Úplne zostavený kočík je zobrazený na obrázku (13).

Skontrolujte zostavenie

- Rám kočíka je rozložený so zaistenými západkami
- Predné a zadné kolesá pevne pripevnené
- Držiak plátennej striešky je pripevnený k rámu kočíka a plátenná strieška je pripevnená k čalúneniu sedačky
- Držadlo je pevne pripevnené

Používanie výrobku

- ! Parkovacia brzda sa **MUSÍ** aktivovať pri zastavení kočíka a pri vkladaní a vyberaní dieťaťa.

Zaistenie dieťaťa

- ! Aby nedošlo k vážnemu zraneniu v dôsledku vypadnutia či vyklznutia, vždy používajte bezpečnostný pás. Skontrolujte, či sú popruhy riadne nastavené a dieťa pohodlne zaistené. Medzera medzi dieťaťom a ramennými popruhmi musí byť široká asi na hrúbku jedného prsta. **NEPREKRÍŽTE** ramenné pásy. Spôsobí to tlak na krk dieťaťa.

- 1 - Stlačte stredné tlačidlo na sponu, aby ste uvoľnili západku spony, vyberte upevňovacie prvky a vložte dieťa do kočíka. **(14)**
- 2 - Spojte ramennú sponu a bedrovú sponu. **(15)**
- 3 - Zaistite ramennú sponu a bedrovú sponu do západky spony a zopakujte to na opačnej strane. **(16)**
- 4 - Nasadte popruhy pohodlne na dieťa a posunutím nastavovacích remienkov ich dotiahnite **(17)-1**. Potom vytiahnite bedrové nastavovacie remienky **(17)-2**.

Poloha ramenných popruhov

- 1 - Horné spony ramenných popruhov sa môžu pohybovať nahor a nadol na účely dodatočného nastavenia. **(18)**

Rozkrokový pás

Určite otvor pre rozkrokový pás, ktorým sa dosiahne pohodlné nasadenie. V prípade potreby zmeňte otvor pre rozkrokový pás.

1 - Menšie deti používajú túto polohu. **(19)-1**

2 - Väčšie deti používajú túto polohu. **(19)-2**

Plátenná strieška

- 1** - Ak chcete rozložiť plátennú striešku, potiahnite ju smerom k prednej časti sedačky. Ak budete chcieť plátennú striešku zložiť, potlačte ju dozadu. **(20)**
- 2** - Kšilt plátennej striešky umiestnite dopredu alebo dozadu podľa potreby. Keď sa nebude používať, zložte kšilt plátennej striešky pod plátennú striešku. **(21)**
- 3** - Rozopnite zips na plátennej strieške, ak chcete získať viac tieňa a vetrania. **(22)**
- 4** - Na účely vetrania vyklopte kryt vrchného otvoru plátennej striešky. **(23)**
- 5** - Na účely ďalšieho vetrania vyklopte kryt zadného otvoru plátennej striešky. **(24)**

Predné zámky otáčania

Na nerovných povrchoch sa odporúča použitie predných zámkov otáčania.

- 1** - Stlačte **(25)-1** a vytiahnite predný zámok otáčania **(25)-2**, aby ste zamkli predné koleso v smerovaní dopredu. Môže sa stať, že budete musieť pohnúť kolesom, aby sa zamklo.

- 2** - Ak chcete predný zámok otáčania odomknúť, zatlačte ho. **(26)**

Brzda

- 1** - Ak chcete zablokovat' zadné kolesá, zošliapnite červenú plochu na brzdovej páčke. **(27)**
 - 2** - Ak chcete odblokovať zadné kolesá, zošliapnite zelenú plochu na brzdovej páčke. **(28)**
- !** Vždy, keď je kočík odstavený, aktivujte brzdu. Jemne zatlačte na kočík, aby ste sa uistili, že je brzda zatiahnutá.

Rukoväť

Rukoväť má 3 polohy.

- 1** - Ak chcete nastaviť výšku rukoväte, stlačte tlačidlá na nastavenie rukoväte **(29)-1** a potiahnite rukoväť nahor alebo nadol. **(29)-2**

Nastavenie sklonu

Operadlo má 5 polôh sklonu.

- 1** - Ak chcete operadlo zvýšiť alebo znížiť, stlačte tlačidlo na nastavenie sklonu a potiahnite sedačku nahor alebo nadol. **(30)**

Lýtková opierka

Lýtková opierka má 2 polohy používania.

- 1** - Ak chcete lýtkovú opierku zvýšiť, zdvihnite ju. **(31)**
- 2** - Ak chcete lýtkovú opierku znížiť, stlačte nastavovacie tlačidlá na bokoch **(32)-1** a zatlačte nadol. **(32)-2**

Vložka

Vložku možno vybrať, aby bol k dispozícii sieťový priestor na sedenie s lepším vetraním v horúcom počasí.

- 1 - Ak chcete vložku vybrať, odopnite suchý zips na vložke zo zadnej strany sedačky, rozopnite popruhy, prevlečte popruhy cez otvory pre popruhy a vyberte čalúnenie sedačky. **(33)**

! NEVYBERAJTE rúrku operadla.

Obrátená sedačka

Sedačku možno použiť v smere tvárou dozadu alebo dopredu.

- 1 - Stlačte uvoľňovacie tlačidlá sedačky a nadvihnite sedačku. **(34)**
- 2 - Otočte sedačku do opačného smeru a položte ju na držiaky sedačky, kým nezacvakne na miesto. Zvuk „cvaknutia“ znamená, že je sedačka pripevnená. **(35)**

! Potiahnutím sedačky dohora skontrolujte, či je pevne pripevnená.

Zloženie

Pred skladaním zatlačte plátennú striešku smerom k zadnej časti kočíka

- 1 - Stlačte tlačidlo na nastavenie sklonu na zadnej strane sedačky **(36)-1** a otočte operadlo do úložnej polohy. **(36)-2**
- 2 - Potiahnite za skladacie tlačidlá **(37)-1** a potlačte kočík dopredu, aby sa zložil. **(37)-2**

- 3 - Zaistite kočík založením západky úložného priestoru na držiak úložného priestoru. **(38)**

Príslušenstvo

Adaptéry autosedačky

Pri používaní kočíka s detskými autosedačkami Nuna si pozrite nasledujúce pokyny.

- 1 - Aby ste pripevnili adaptéry, umiestnite ich na držiaky sedačky, ako to je zobrazené na obrázku. Zvuk „cvaknutia“ znamená, že sú adaptéry pripevnené. **(39)**
- 2 - Ak chcete pripevniť detskú autosedačku, položte ju na adaptéry, ako to je zobrazené na obrázku **(40)**. Zvuk „cvaknutia“ znamená, že je detská autosedačka zaistená. **(41)**
- 3 - Uhol detskej autosedačky možno nastaviť pomocou našich nastaviteľných adaptérov. **(42)**
- 4 - Ak chcete vybrať detskú autosedačku zodvihnite ju **(43)-2** a zároveň stlačte uvoľňovacie tlačidlá kočíka. **(43)-1**
- 5 - Ak chcete vybrať adaptéry, nadvihnite adaptéry **(44)-2** a zároveň potiahnite uvoľňovacie tlačidlá. **(44)-1**

Nánožník kočíka

Nánožník môže dieťaťu poskytnúť teplé a príjemné prostredie.

- 1 - Umiestnite nánožník na sedačku, utiahnite spony na nánožníku a sedačke **(45)-1**, postup zopakujte na opačnej strane.
- 2 - Zostavená nánožník je zobrazený na obrázku **(45)**.

Pláštenka

Pred pripevnením pláštenky skontrolujte, či je plátenná strieška úplne rozložená.

1 - Ak chcete zostaviť pláštenku umiestnite ju nad kočík.
(46)

! Keď je pláštenka na výrobku, **VŽDY** skontrolujte vetranie.

Pred zložením **VŽDY** skontrolujte, či je pláštenka vyčistená a vysušená.

NESKLADAJTE kočík s pripevnenou pláštenkou.

V horúcom počasí **NEDÁVAJTE** dieťa do kočíka s pripevnenou pláštenkou.

Čistenie a údržba

Očistite rám, plastové časti a textil vlhkou handričkou, ale nepoužívajte brúsne čistiace prostriedky ani bielicidlo. Nepoužívajte silikónové mazivá, pretože viažu na seba nečistoty a špinu. Neskladujte kočík na vlhkom mieste.

Pravidelne čistite kolesá kočíka vodou a odstráňte všetku špinu.

Aby ste zaistili dlhodobé používanie, po použití v daždivom počasí utrite tento výrobok mäkkou absorpčnou handričkou.

Pozrite si štítok s návodom na ošetrovanie, ktorý je pripevnený k textilu, a kde sú uvedené pokyny na umývanie a sušenie.

Je normálne, že sa textil zafarbí pôsobením slnečného žiarenia a po dlhom používaní bude vykazovať opotrebovanie aj pri normálnom používaní.

Z bezpečnostných dôvodov používajte len originálne diely od spoločnosti Nuna.

Pravidelne kontrolujte, či všetko funguje ako má. Ak sú ktorékoľvek časti roztrhnuté, zlomené alebo chýbajú, prestaňte tento výrobok používať.

**VAŽNO!
PAŽLJIVO PROČITAJTE.
I SAČUVAJTE ZA
BUDUĆU UPORABU**

Sadržaj

Podaci o proizvodu	203
Registracija proizvoda	
Jamstvo	
Kontakt	
Uvjeti za upotrebu	204
Upozorenja	205
Popis dijelova	209
Postavljanje proizvoda	211
Upotreba proizvoda	214
Dodatna oprema	218
Adapter za autosjedalicu	
Navlaka za dječja kolica	
Pokrov protiv kiše	
Čišćenje i održavanje	220

Podaci o proizvodu

Broj modela: _____

Datum proizvodnje: _____

Registracija proizvoda

Popunite gore navedene podatke. Broj modela i datum proizvodnje nalaze se na naljepnici na donjoj strani okvira dječjih kolica.

Za registraciju proizvoda posjetite:

www.nunababy.com

Kliknite na vezu "Registracija opreme" na početnoj stranici.

Jamstvo

Osmislili smo i proizveli naše proizvode visoke kvalitete kako bi mogli rasti s vašim djetetom i obitelji. Budući da stojimo iza našeg proizvoda, naša je oprema pokrivena jamstvom za proizvod, počevši od dana kupnje. Prije no što nas kontaktirate pripremite dokaz o kupnji, broj modela i datum proizvodnje.

Za informacije o jamstvu posjetite:

www.nunababy.com

Kliknite na vezu "Jamstvo" na početnoj stranici.

Kontakt

Za zamjenske dijelove, servis ili moguća pitanja u svezi jamstva kontaktirajte našu službu za korisnike.

info@nunababy.com

www.nunababy.com

Uvjeti za upotrebu

Ova dječja kolica prikladna su za djecu koja su sljedećih mjera:

od rođenja do 22 kg ili 4 godine, koje od toga prije nastupi.

Kad se okvir dječjih kolica koristi s MIXX košarom za bebu ili Nuna nosiljkama za bebu pogledajte uvjete i mjere djeteta navedene u odgovarajućem priručniku s uputama tog proizvoda.

UPOZORENJE

Nepoštivanje ovih upozorenja i uputa može predstavljati opasnost od ozbiljnih ozljeda sa smrtnim ishodom.

Uvijek upotrebljavajte sigurnosne pojase.

Provjerite jesu li okvir kolica ili jedinica za sjedenje, ili uređaji za pričvršćivanje u autu ispravni prije njihove uporabe.

Ne dopustite djetetu da se igra s ovim proizvodom.

Prije uporabe kolica, provjerite jesu li svi dijelovi za učvršćivanje ispravni.

Nikada ne ostavljajte dijete bez nadzora.

Ovaj proizvod nije namijenjen trčanju ili rolanju.

Kako biste izbjegli ozljede, pobrinite se da dijete bude na sigurnoj udaljenosti kada sklapate ili rasklapate ovaj proizvod.

Nije dozvoljeno korištenje dodatne opreme koju proizvođač nije odobrio. Potrebno je koristiti isključivo one zamjenske dijelove koje isporučuje ili je preporučio proizvođač / dobavljač.

Sklapanje treba vršiti odrasla osoba.

UVIJEK aktivirajte kočnicu čim se zaustavite.

Svaka šteta uzrokovana korištenjem dodatne opreme koju nije isporučila tvrtka Nuna neće biti pokrivena jamstvom.

Svaki teret postavljen ili obješen na ručku i / ili na stražnju stranu naslona i / ili na bočne strane dječjih kolica utjecat će na njihovu stabilnost.

Uvjerite se da su dječja kolica u potpunosti podignuta i pričvršćena prije no što im se dijete približi ili ga stavite u kolica.

NE NOSITE drugu djecu, robu, pribor u ili na ovim dječjim kolicima osim kako je to izričito navedeno u ovim uputama. To može prouzročiti nestabilnost dječjih kolica.

NE OSTAVLJAJTE dječja kolica izložena ili u blizini jakog izvora topline, na primjer radijatora ili otvorene vatre.

NE POSTAVLJAJTE nikakav predmet na krovčić.

NE SPREMAJTE dječja kolica na vlažno mjesto. Uvijek pustite neka se tkanina osuši prirodno, daleko od izvora topline.

NE KORISTITE košaru za odlaganje za vožnju ili nošenje djeteta.

NE KORISTITE dječja kolica ako je bilo koji dio razbijen ili nedostaje.

Dječje autosjedalice koje se koriste s bazom kolica ne mogu zamijeniti sklopivi ili običan dječji krevetić. Ako dijete treba spavati stavite ga u odgovarajuću košaru za bebu, sklopivi ili običan dječji krevetić.

Male dijelove držite izvan dohvata djece jer predstavljaju opasnost od gušenja.

Pažljivo vozite po zavojima i grubom terenu. Ponavljani udarci mogu oštetiti dječja kolica.

NIKAD NE dopuštajte djetetu da stoji u / na dječjim kolicima.

NIKAD NE vozite više djece u ovim dječjim kolicima.

NIKAD NE vozite niti ne koristite dječja kolica na običnim ili pokretnim stepenicama. Možete iznenadno izgubiti kontrolu nad dječjim kolicima ili vam dijete može ispasti iz njih.

Trake sigurnosnih pojaseva za pričvršćivanje djeteta moraju uvijek biti pravilno prilagođene i dobro pričvršćene. Trake sigurnosnih pojaseva za pričvršćivanje djeteta nisu zamjena za odgovarajući nadzor odrasle osobe.

Prilikom stavljanja i vađenja djeteta iz dječjih kolica uvijek je potrebno aktivirati kočnicu kolica.

Preopterećenje, nepravilno preklapanje i upotreba pribora, na primjer dječje sjedalice, kuke za torbu, pokrova protiv kiše, dodatnih nosača za veće dijete i sl., osim onih koje je odobrila tvrtka Nuna, mogu oštetiti ili učiniti dječja kolica nesigurnima.

Gumeni kotači mogu ostavljati crne mrlje na glatkim površinama poput parketa, laminata i linoleuma.

OPASNOST OD DAVLJENJA Ne stavljajte predmete koji imaju trakice oko dječjeg vrata, ne vješajte ništa pomoću traka na ovaj proizvod niti ne stavljajte trake na igračke.

Prije korištenja uklonite sve plastične ambalažne obloge kako biste spriječili i najmanju opasnost od gušenja i uništite ih ili držite izvan dohvata beba i djece!

Ne stavljajte više od 4,5 kg u košaru za odlaganje niti više od 0,45 kg u džep za odlaganje kako biste spriječili opasne situacije i nestabilna stanja.

Za novorođene bebe koristite potpuno spušteni položaj dječjih kolica.

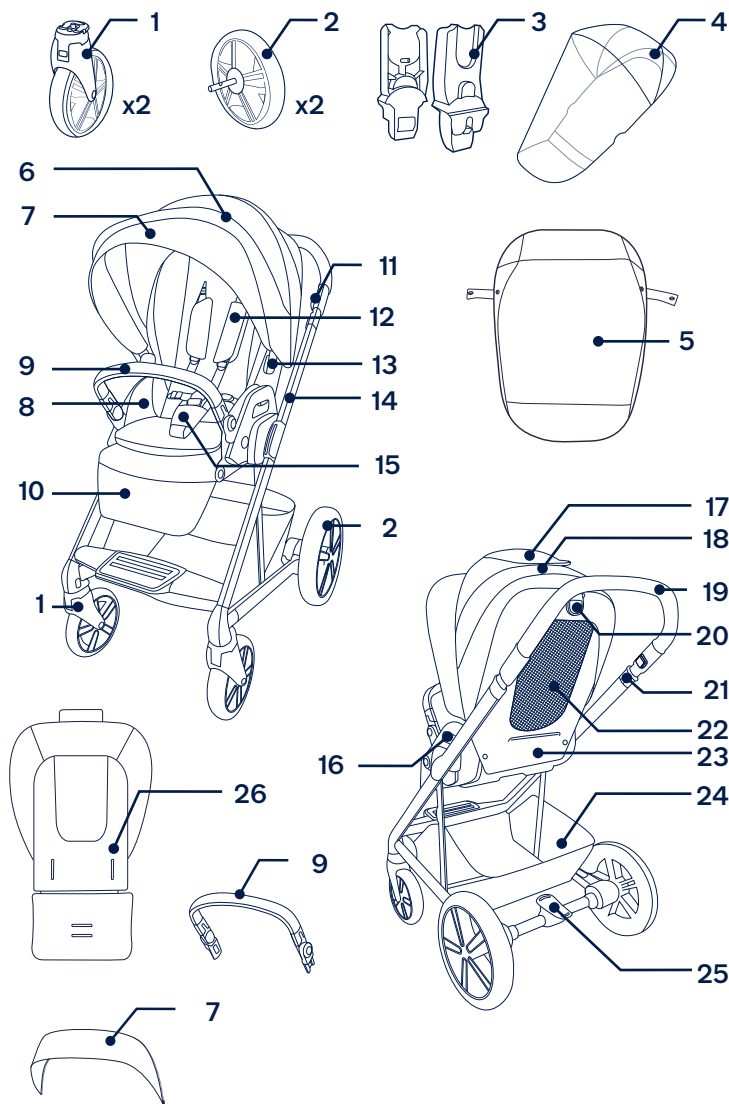
Dječja kolica koristite samo za prijevoz djeteta ne težeg od 22 kg. Dječja kolica nisu namijenjena za dijete veće težine, pa će se na njima pojaviti oštećenja.

Popis dijelova

Prije sklapanja provjerite jesu li raspoloživi svi dijelovi.
Ako bilo koji dio nedostaje kontaktirajte lokalnog prodavača.
Za sklapanje nije potreban alat.

! OPASNOST OD GUŠENJA: Uklonite i odmah odbacite zaštitne završne naglavke sa svakog kotača i osovine kotača.

- | | |
|--------------------------------|---------------------------------------|
| 1 Prednji kotačić (x2) | 15 Kopča i jastučić središnjeg pojasa |
| 2 Stražnji kotačić (x2) | 16 Gumb za oslobađanje sjedalice |
| 3 Adapter za autosjedalicu | 17 Gornji prozorčić na krovu |
| 4 Pokrov protiv kiše | 18 Stražnji prozorčić na krovu |
| 5 Navlaka za dječja kolica | 19 Ručka dječjih kolica |
| 6 Krov | 20 Gumb za podešavanje nagiba |
| 7 Sjenilo protiv sunca za krov | 21 Gumb za preklapanje |
| 8 Jastuk sjedalice | 22 Prozračivanje sjedalice |
| 9 Prečka za ruke | 23 Džep za odlaganje |
| 10 Potpora za noge | 24 Košara za odlaganje |
| 11 Gumb za podešavanje ručke | 25 Poluga kočnice |
| 12 Jastučići ramenih pojaseva | 26 Umetak |
| 13 Kopče za krov | |
| 14 Okvir dječjih kolica | |



Postavljanje proizvoda

Otvaranje dječjih kolica

- 1 - Otvorite polugu za pohranu kako prikazuje slika (1). Podignite ručku sa strana i zakrenite na stražnji dio kolica. Zvuk „klik“ znači da je okvir dječjih kolica potpuno otvoren. (2)
 - 2 - Stisnite i nagnite gumb za podešavanje na stražnjoj strani sjedalice i okrenite naslon u uspravni položaj. (3)
- ! Prije nastavka provjerite jesu li dječja kolica sasvim otvorena.

Krović

- 1 - Patentnim zatvaračem pričvrstite sjenilo protiv sunca na unutarnju stranu krovića. (4)
- 2 - Umetnite kopče za krović u nosače na bočnim stranama dječjih kolica. Zvuk „klik“ znači da je krović u pravilno i u potpunosti pričvršćen. (5)

Prednji kotačići

- 1 - Umetnite prednji kotačić u prednju nogu. Zvuk „klik“ znači da je kotačić pravilno i u potpunosti pričvršćen. (6) Ponovite na drugoj strani.
- ! Povucite svaki kotačić prema van i tako provjerite je li sigurno pričvršćen.
- 2 - Za skidanje prednjeg kotačića pritisnite gumb za oslobađanje (7)-1 i odvojite prednji kotačić s prednje noge. (7)-2

Stražnji kotačići

- 1 - Umetnite stražnji kotačić u stražnju nogu. Zvuk „klik“ znači da je stražnji kotačić pravilno i u potpunosti pričvršćen. Ponovite na drugoj strani. (8)
- ! Povucite svaki od kotačića prema van i tako provjerite je li sigurno pričvršćen.
- 2 - Za skidanje stražnjeg kotačića pritisnite gumb za oslobađanje (9)-1 i odvojite stražnji kotačić sa stražnje noge. (9)-2

Prečka za ruke

- ! Uvijek pričvrstite dijete pomoću sigurnosnih traka za pričvršćivanje. Prečka za ruke nije dio sustava za pričvršćivanje djeteta.
- 1 - Poravnajte krajeve prečke za ruke s nosačima prečke i umetnite dok ne klikne na svoje mjesto. Zvuk „klik“ znači da je prečka za ruke pravilno i u potpunosti pričvršćena. (10)
 - 2 - Za uklanjanje prečke za ruke pritisnite gumbe za oslobađanje prečke za ruke (11)-1 i podignite prečku za ruke. (11)-2
 - 3 - Za kompaktnije preklapanje kad je sjedalica okrenuta unatrag, pritisnite gumbe za podešavanje prečke za ruke (12)-1 i zakrenite prečku za ruke prema dolje (12)-2 dok ne klikne na svoje mjesto.
- ! **NIKAD** ne koristite prečku za ruke u spušenom / preklopljenom položaju dok se dijete nalazi u dječjim kolicima.

Potpuno sklopljena dječja kolica prikazana su slikom (13).

Lista za provjeru postavljanja

- Okvir dječjih kolica pričvršćen u otvorenom položaju
- Prednji kotačići, stražnji kotačići sigurno pričvršćeni
- Krovčić i njegovi nosači pričvršćeni na okvir kolica i krovčić pričvršćen na jastuk sjedalice
- Prečka za ruke pravilno i sigurno pričvršćena

Upotreba proizvoda

- ! Kočnicu dječjih kolica **TREBA** aktivirati prilikom svakog zaustavljanja kolica i prilikom stavljanja i vađenja djeteta iz kolica.

Pričvršćivanje djeteta

- ! Radi sprječavanja ozbiljnih ozljeda zbog ispadanja ili isklizavanja, uvijek koristite trake za pričvršćivanje djeteta na sjedalici.
Provjerite jesu li trake sigurnosnih pojaseva pravilno podešene, a dijete dobro i sigurno pričvršćeno.
Razmak između djeteta i traka sigurnosnih pojaseva za ramena mora biti približno jedan prst. **NE** križajte trake sigurnosnih pojaseva za ramena. To će prouzročiti pritisak na djetetov vrat.
- 1** - Pritisnite središnji gumb na kopči za oslobađanje središnjeg dijela kopče, odmaknite stezaljke i stavite dijete u kolica. **(14)**
- 2** - Spojite ramenu kopču i kopču traka preko bokova. **(15)**
- 3** - Pričvrstite ramenu kopču i kopču traka preko bokova na središnji dio kopče i ponovite na suprotnoj strani. **(16)**
- 4** - Namjestite trake za pričvršćivanje na dijete povlačenjem traka za podešavanje kako biste ih čvrsto zategnuli **(17)-1**. Zatim povucite trake za podešavanje oko struka **(17)-2**.

Podešavanje položaja traka sigurnosnih pojaseva za ramena

- 1** - Gornje kopče traka sigurnosnih pojaseva za ramena mogu se pomicati prema gore i dolje radi dodatnog podešavanja. **(18)**

Središnji sigurnosni pojas između nogu

Potražite otvor za središnji sigurnosni pojas između nogu koji će poslužiti za pravilno i sigurno pričvršćivanje djeteta. Prema potrebi promijenite otvor za središnji sigurnosni pojas između nogu koji koristite.

- 1 - Manje bebe koriste ovaj položaj. **(19)-1**
- 2 - Veće bebe koriste ovaj položaj. **(19)-2**

Krović

- 1 - Za otvaranje krovića povucite ga prema prednjem dijelu sjedalice. Za zatvaranje krovića gurnite ga natrag. **(20)**
- 2 - Postavite sjenilo protiv sunca na krović sprijeda ili straga, prema potrebi. Kad se ne koristi preklopite sjenilo protiv sunca ispod krovića. **(21)**
- 3 - Otvorite patentni zatvarač na kroviću za dodatnu sjenu i prozračivanje. **(22)**
- 4 - Podignite poklopac gornjem prozorčića na kroviću radi prozračivanja. **(23)**
- 5 - Za dodatno prozračivanje podignite poklopac stražnjeg prozorčića na kroviću. **(24)**

Blokada okretanja prednjih kotačića

Preporučuje se koristiti blokadu okretanja prednjih kotačića na neravnim površinama.

- 1 - Stisnite **(25)-1** i izvucite blokadu okretanja prednjih kotačića **(25)-2** kako biste blokirali prednje kotačiće u smjeru vožnje prema naprijed. Možda će morati pomaknuti kotačić kako biste ga mogli blokirati.

- 2 - Gurnite blokadu okretanja prednjih kotačića prema unutra kako biste odblokirali kotačiće. **(26)**

Kočnica

- 1 - Za blokadu stražnjih kotačića stanite nogom na crveno područje na poluzi kočnice. **(27)**
 - 2 - Za deblokiranje stražnjih kotačića stanite nogom na zeleno područje na poluzi kočnice. **(28)**
- ! Kad god zaustavite dječja kolica uvijek primijenite kočnicu. Lagano gurnite kolica kako biste se uvjerali da je kočnica aktivirana.

Ručka

Ručka ima 3 položaja.

- 1 - Za podešavanje visine ručke pritisnite gumb za podešavanje ručke **(29)-1** i povucite ručku prema gore ili prema dolje. **(29)-2**

Podešavanje nagiba

Postoji 5 položaja nagiba naslona.

- 1 - Za podizanje ili spuštanje naslona sjedala stisnite gumb za podešavanje nagiba i povucite sjedalo prema gore ili prema dolje. **(30)**

Potpora za noge

Potpora za noge ima 2 položaja za dijete.

- 1 - Za podizanje potpore za noge, podignite je. **(31)**
- 2 - Za spuštanje potpore za noge pritisnite gumb za podešavanje na bočnim stranama **(32)-1** i gurnite prema dolje. **(32)-2**

Umetak

Umetak se može izvaditi kako bi se sjedalica koristila s mrežastom pozadinom radi boljeg prozračivanja tijekom vrućina.

- 1 - Za skidanje umetka odvojite čičak traku na umetku s naslona sjedalice, otkopčajte trake sigurnosnih pojaseva za pričvršćivanje djeteta, izvucite ih kroz odgovarajuće otvore i skinite jastuk sjedalice. **(33)**

! NE SKIDAJTE cijev naslona za leđa.

Sjedalica dječjih kolica okrenuta suprotno od smjera vožnje

Sjedalica se može koristiti okrenuta u smjeru ili obrnuto od smjera vožnje dječjih kolica.

- 1 - Stisnite gumb za oslobađanje sjedalice i podignite sjedalicu. **(34)**
- 2 - Okrenite sjedalicu u suprotnom smjeru i postavite nosače sjedalice dok ne kliknu na svoje mjesto. Zvuk „klik“ znači da je sjedalica pravilno pričvršćena. **(35)**

! Provjerite je li sjedalica sigurno pričvršćena povlačenjem prema gore.

Preklapanje

Prije preklapanja gurnite krovic na stražnji dio dječjih kolica.

- 1 - Stisnite i nagnite gumb za podešavanje na stražnjoj strani sjedalice **(36)-1** i okrenite naslon u položaj za pohranu. **(36)-2**

- 2 - Povucite gumb za preklapanje prema gore **(37)-1** i gurnite kolica prema naprijed kako biste ih preklopili. **(37)-2**

- 3 - Blokirate kolica uvlačenjem poluge za pohranu na nosač za pohranu. **(38)**

Dodatna oprema

Adapteri za autosjedalicu

Kad dječja kolica koristite s Nuna nosiljkama za bebu, pogledajte sljedeće upute.

- 1 - Za pričvršćivanje adaptera stavite ih na nosače sjedalice kako je prikazano. Zvuk „klik“ znači da su adapteri za postavljanje pričvršćeni. **(39)**
- 2 - Za pričvršćivanje nosiljke za bebu, postavite nosiljku za bebu na adaptere kako je prikazano slikom **(40)**. Zvuk „klik“ znači da je nosiljka za bebu pravilno pričvršćena. **(41)**
- 3 - Kut nagiba nosiljke za bebu može se prilagoditi našim prilagodljivim adapterima. **(42)**
- 4 - Za skidanje nosiljke za bebu podignite je **(43)-2** uz istodobno pritiskanje gumbi za oslobađanje na kolicima. **(43)-1**
- 5 - Za uklanjanje adaptera podignite ih **(44)-2** dok istodobno povlačite gumb za oslobađanje. **(44)-1**

Navlaka za dječja kolica

Mekana navlaka za dječja kolica pruža djetetu dodatnu zaštitu i toplinu za udobniji boravak u kolicima.

- 1 - Stavite navlaku za dječja kolica preko sjedalice, pričvrstite kopče na navlaci i na sjedalici **(45)-1**, ponovite na suprotnoj strani.
- 2- Postavljena navlaka za dječja kolica prikazana je na slici **(45)**.

Pokrov protiv kiše

Provjerite je li krovčić potpuno otvoren prije postavljanja pokrova protiv kiše.

- 1 - Za pričvršćivanje pokrova protiv kiše postavite je preko kolica. **(46)**

! **DOK JE POSTAVLJEN POKROV PROTIV KIŠE** uvijek provjeravajte prozračivanje.

PRIJE SKLAPANJA UVIJEK PROVJERITE je li pokrov protiv kiše očišćen i suh.

NE preklapajte kolica dok je na njih postavljen pokrov protiv kiše.

NE stavljajte dijete u kolica s postavljenim pokrovom protiv kiše tijekom vrućeg vremena.

Čišćenje i održavanje

Očistite okvir, plastične dijelove i tkaninu vlažnom krpom, ali nemojte koristiti abrazivna sredstva ili izbjeljivač. Ne koristite silikonska sredstva za podmazivanja jer će privlačiti prljavštinu i prašinu. Ne spremajte dječja kolica na vlažno mjesto.

Redovito vodom čistite kotačiće na kolicima i skidajte s njih prljavštinu.

Kako biste osigurali dugotrajnu uporabu, nakon korištenja po kišnom vremenu obrišite ova kolica mekanom, upijajućom krpom.

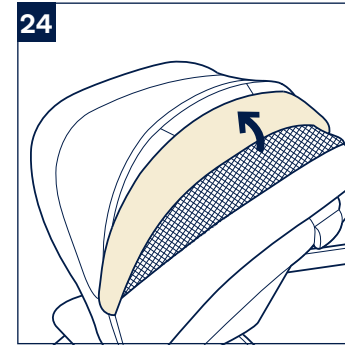
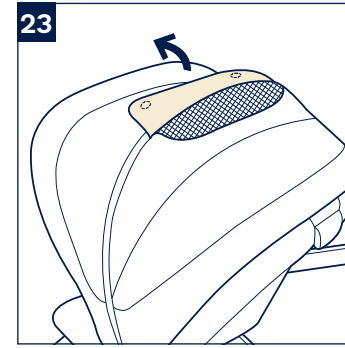
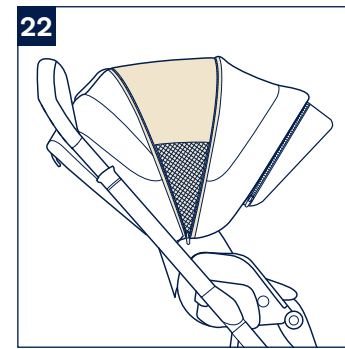
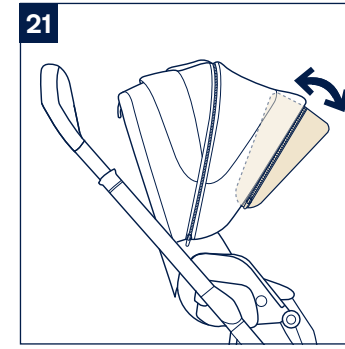
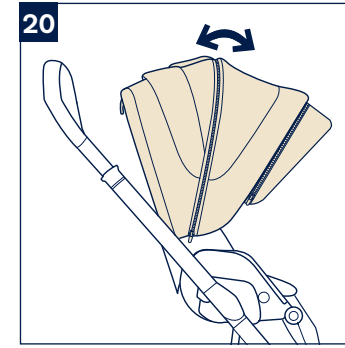
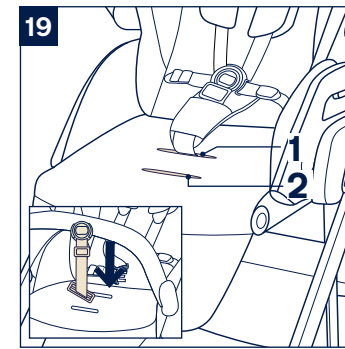
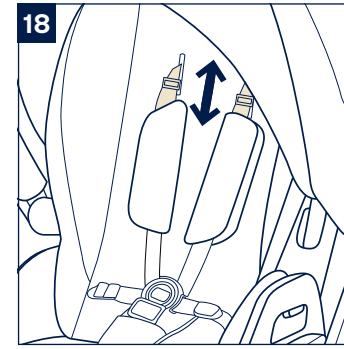
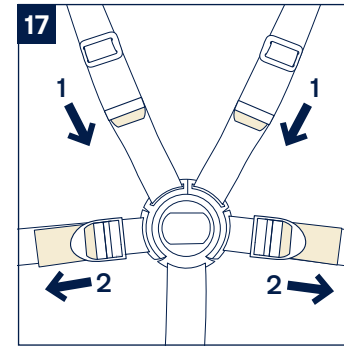
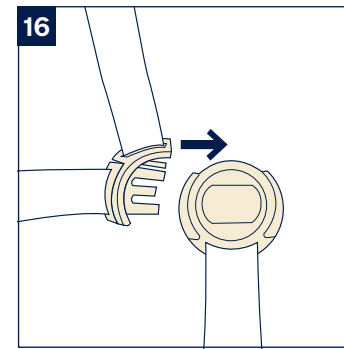
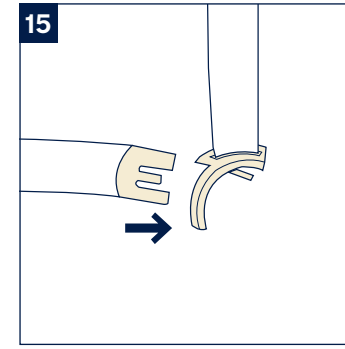
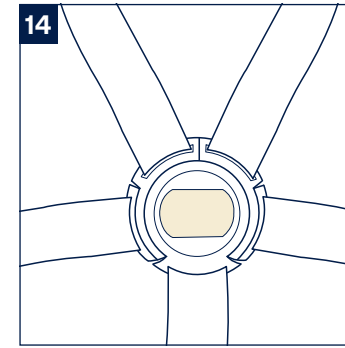
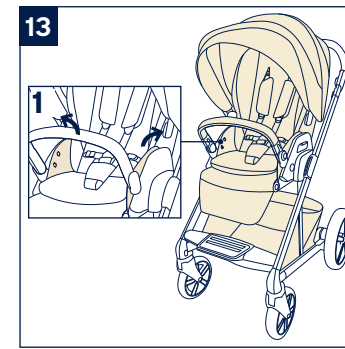
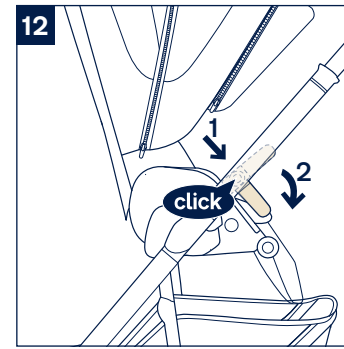
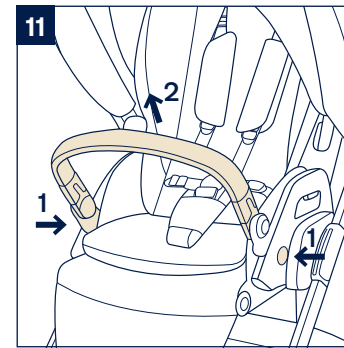
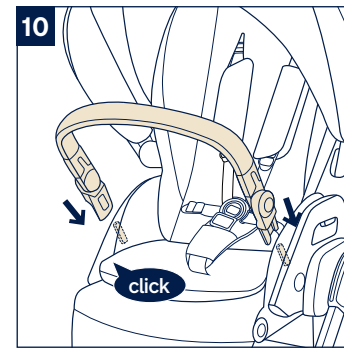
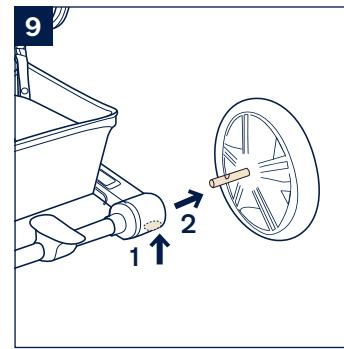
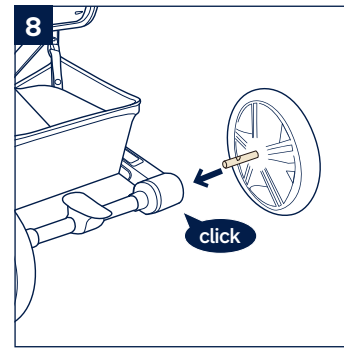
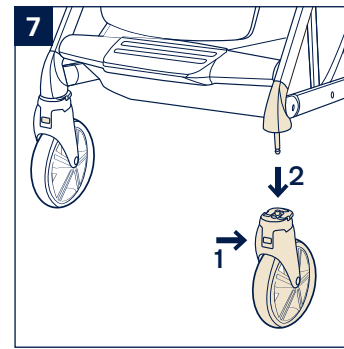
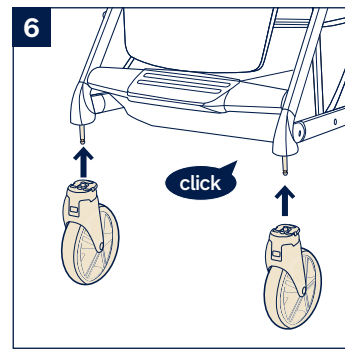
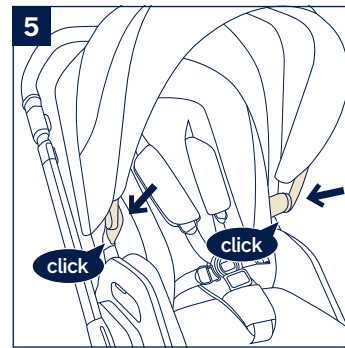
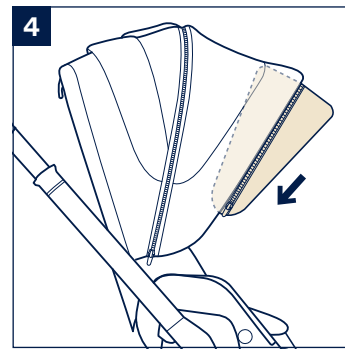
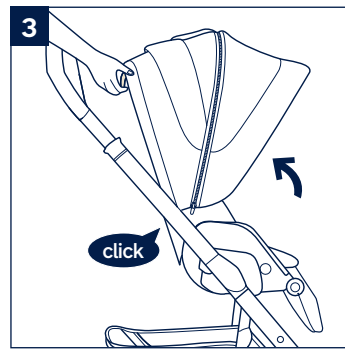
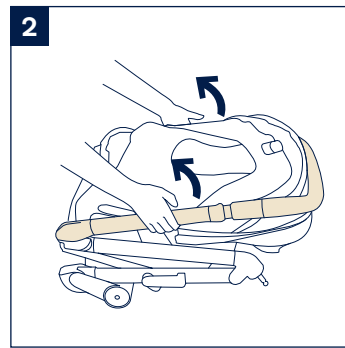
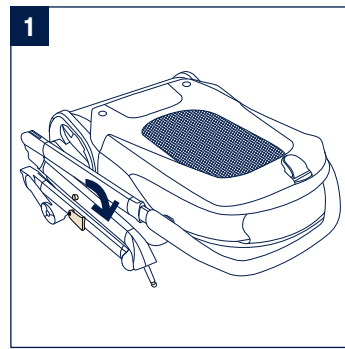
Pogledajte upute za pranje i sušenje na naljepnicama pričvršćenim na obloge.

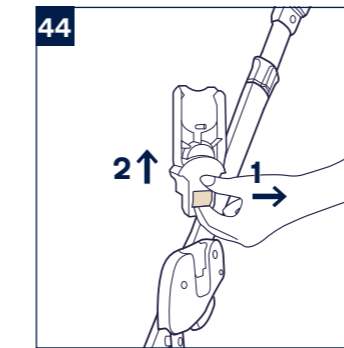
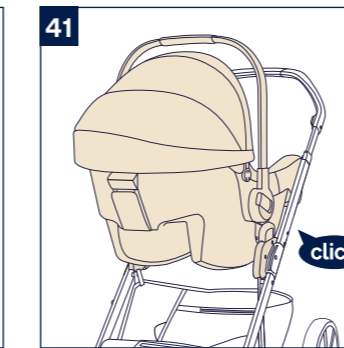
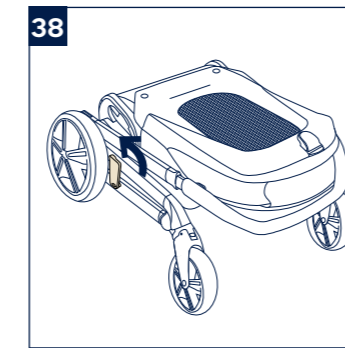
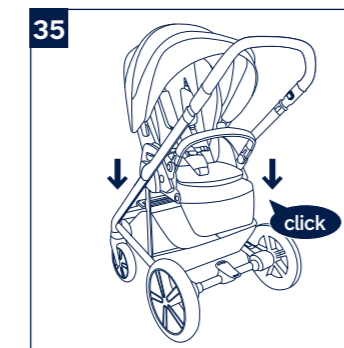
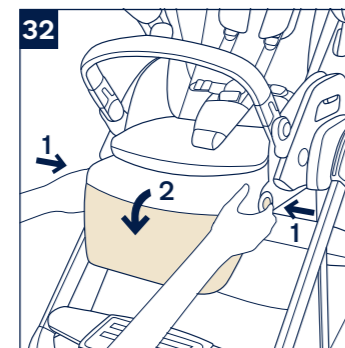
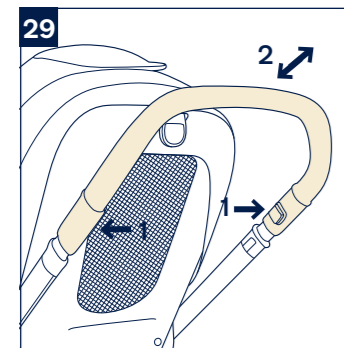
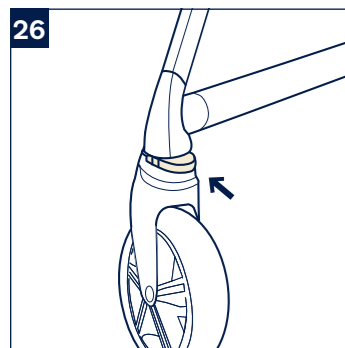
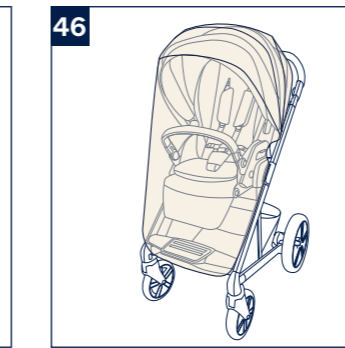
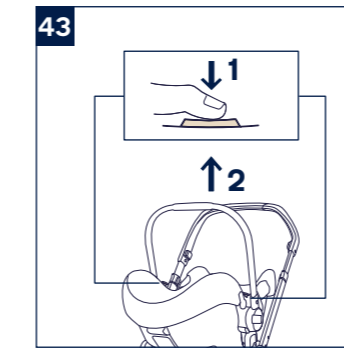
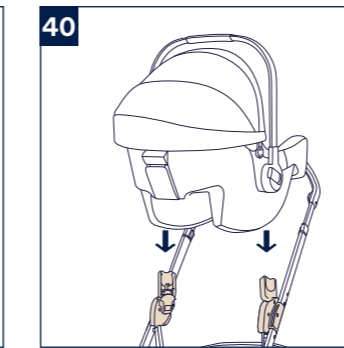
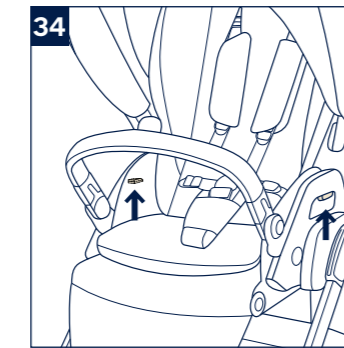
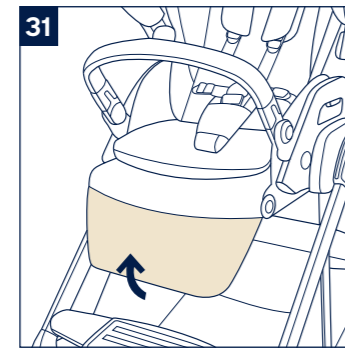
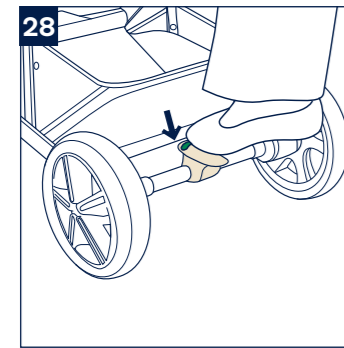
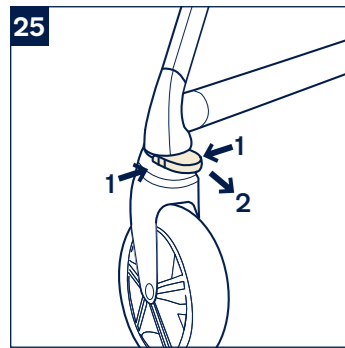
Normalno je da nakon duljeg normalnog korištenja tkanina promijeni boju zbog sunčeve svjetlosti te da pokazuje znakova trošenja i habanja.

Radi sigurnosti koristite isključivo originalne Nuna dijelove.

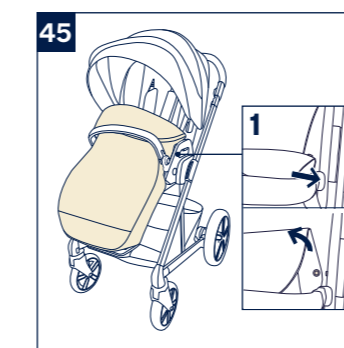
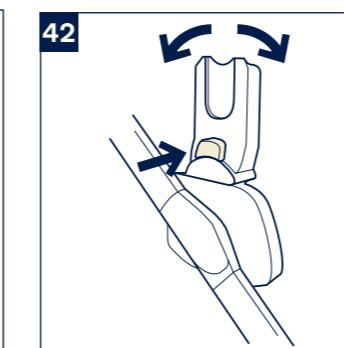
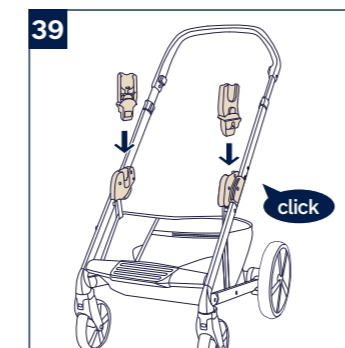
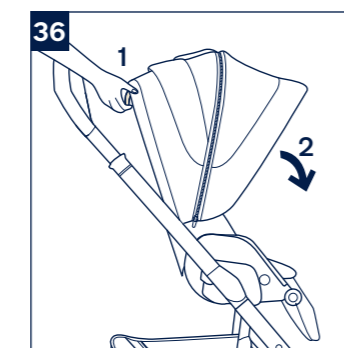
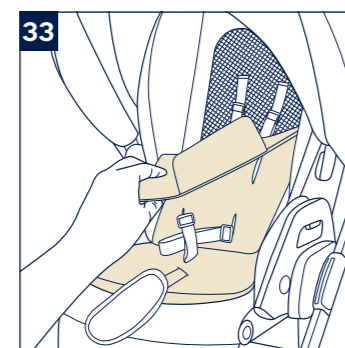
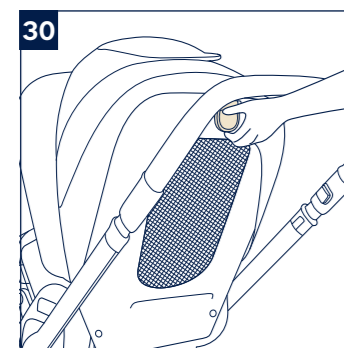
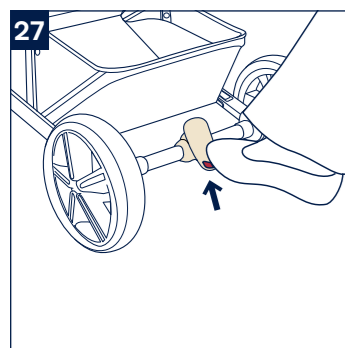
Redovito provjeravajte djeluje li sve pravilno. Ako je bilo koji dio istrošen, slomljen ili nedostaje prestanite koristiti ovaj proizvod.

Designed
around your life





**IMPORTANT!
READ CAREFULLY
AND KEEP FOR FUTURE
REFERENCE**



Contents

Product Information	3
Product Registration	
Warranty	
Contact	
Child Usage Requirements	4
Warnings	5
Parts List	9
Product Set Up	11
Product Use	13
Accessories	17
Car Seat Adaptor	
Apron	
Rain Cover	
Cleaning and Maintenance	
Français (FR)	21
Deutsch (DE)	41
Nederlands (NL)	61
Italiano (IT)	81
Español (ES)	101
Português (PT)	121
Polski (PL)	141
Česky (CZ)	161
Slovenčina (SK)	181
Hrvatski (HR)	201
Slovenščina (SL)	221
Русский (RU)	241
Norsk (NO)	261
Svenska (SV)	279
Suomi (FI)	299
Română (RO)	319
Ελληνικά (EL)	339
Türkçe (TR)	359
عربي (AR)	379
한국어 (KO)	399
简中 (ZH)	419

**POMEMBNO!
NATANČNO PREBERITE
IN SHRANITE ZA
POZNEJŠO UPORABO.**

Vsebina

Informacije o izdelku	223
Registracija izdelka	
Garancija	
Stik	
Zahteve pri uporabi za otroke	224
Opozorila	225
Seznam delov	229
Priprava izdelka	231
Uporaba izdelka	234
Dodatna oprema	238
Adapter za avtosedež	
Prevleka	
Dežno pregrinjalo	
Čiščenje in vzdrževanje	240

Informacije o izdelku

Številka modela: _____

Datum izdelave: _____

Registracija izdelka

Vpišite zgornje podatke. Številka modela in datum izdelave sta navedena na nalepki na dnu okvirja vozička.

Za registracijo izdelka obiščite:

www.nunababy.com

Na začetni strani kliknite povezavo „Registriraj opremo“.

Garancija

Naše visokokakovostne izdelke smo namenoma oblikovali tako, da lahko rastejo skupaj z vašim otrokom in vašo družino. Ker zagotavljamo kakovost naših izdelkov, krije našo opremo od dneva nakupa garancija, ki je narejena po meri za vsak izdelek. Ko stopite v stik z nami, imejte pri roki potrdilo o nakupu, številko modela datum izdelave.

Podatke o garanciji najdete na:

www.nunababy.com

Na začetni strani kliknite povezavo „Garancija“.

Stik

Za vprašanja o nadomestnih delih in servisu ali za dodatna vprašanja o garanciji stopite v stik z oddelkom za stike s strankami.

info@nunababy.com

www.nunababy.com

Zahteve pri uporabi za otroke

Ta voziček je primeren za uporabo pri otrocih, ki izpolnjujejo naslednje zahteve:

od rojstva do teže 22 kg oziroma 4 let, kar nastopi prej.

Kadar uporabljate ohišje otroškega vozička skupaj s košaro za voziček MIXX ali nosili za otroke Nuna, glejte zahteve za uporabo pri otrocih, navedene v zadevnih navodilih za uporabo.

OPOZORILO

Neupoštevanje teh opozoril in navodil lahko povzroči resne poškodbe ali smrt.

Vedno uporabljajte sistem držal.

Pred uporabo preverite, ali so košara, sedež ali držala sedežne enote pravilno aktivirani.

Ne dovolite, da bi se otrok igral z izdelkom.

Pred uporabo preverite, ali so vsi zapahi aktivirani.

Otroka nikoli ne puščajte nenadzorovanega.

Ta izdelek ni primeren za tek ali rolanje.

Da preprečite poškodbe, pazite, da pri odpiranju in zlaganju izdelka otrok ne bo v bližini.

Dodatne opreme, ki je ni odobril proizvajalec, ni dovoljeno uporabljati. Uporabljajte le nadomestne dele, ki jih dobavlja oziroma priporoča proizvajalec/distributer.

Izdelek naj sestavi odrasla oseba.

VEDNO aktivirajte zavoro, ko se ustavite.

Pogoji garancije ne krijejo nobenih poškodb, ki jih povzroči uporaba dodatne opreme, ki je ni dobavila družba Nuna.

Kakršno koli breme, pritrjeno na ročaj in/ali hrbtni del naslonjala in/ali na stranska dela vozička, bo vplivalo na stabilnost vozička.

Preden otroku dovolite priti v bližino vozička, se prepričajte, da je voziček povsem razprt in vsi zadevni deli zaskočeni.

V vozičku ali na njem **NE** prenašajte dodatnih otrok, blaga ali dodatkov, razen če je to dovoljeno v tem priročniku. Voziček lahko postane nestabilen.

Vozička **NE** puščajte izpostavljenega v bližini močnih virov toplote, kot je radiator ali odprt ogenj.

NE postavljajte nobenih predmetov na strehico.

Vozička **NE** shranjujte v vlažnem prostoru. Tekstil naj se vedno posuši naravno, stran od neposrednega toplotnega vira.

Nakupovalne košare **NE** uporabljajte za prevažanje otroka.

Vozička **NE** uporabljajte, če je kateri koli del poškodovan ali manjka.

Pri uporabi avtosedežev skupaj s podvozjem upoštevajte, da ta voziček ne nadomešča zibelke ali postelje. V času spanja odložite otroka v primerno košaro otroškega vozička, zibelko ali posteljo.

Majhne dele hranite izven dosega otrok, ker predstavljajo nevarnost zadušitve.

Previdno vozite čez robnike in po grobem terenu. Večkratni udarci lahko poškodujejo voziček.

NIKOLI ne dovolite, da bi otrok stal na otroškem vozičku.

V vozičku **NIKOLI** ne prevažajte več kot enega otroka naenkrat.

Vozička **NIKOLI** ne uporabljajte na stopnicah ali tekočih stopnicah. Lahko se zgodi, da nenadoma izgubite nadzor nad vozičkom ali da otrok pade iz vozička.

Varnostni pas mora biti vedno pravilno nameščen ob telesu in zategnjen. Varnostni pas ne nadomešča ustreznega nadzora odrasle osebe.

Pri nameščanju in jemanju otroka iz vozička aktivirajte zavoro.

Preobremenitev, nepravilno zlaganje in uporaba dodatne opreme, kot so otroški sedeži, držala za torbo, dežna pregrinjala, dodatne deske za voziček itd., ki je ni odobrila znamka Nuna, lahko poškodujejo voziček ali ga naredijo nevarnega.

Gumijaste pnevmatike lahko pustijo črne sledove na gladkih površinah, kot so parket, laminat in linolej.

NEVARNOST ZADAVITVE Ne nameščajte predmetov z vrvico okoli otrokovega vratu, ne obešajte vrvic na ta izdelek in ne pritrjujte vrvic na igrače.

Da bi preprečili nevarnost zadužitve, pred uporabo tega izdelka odstranite vse plastične ovoje in jih uničite ali hranite izven dosega dojenčkov in otrok!

Da preprečite nevarno in nestabilno stanje, je največja dovoljena obremenitev nakupovalne košare 4,5 kg, žepa za shranjevanje pa 0,45 kg.

Za novorojenčke **UPORABLJAJTE** položaj z najmanjšim naklonom.

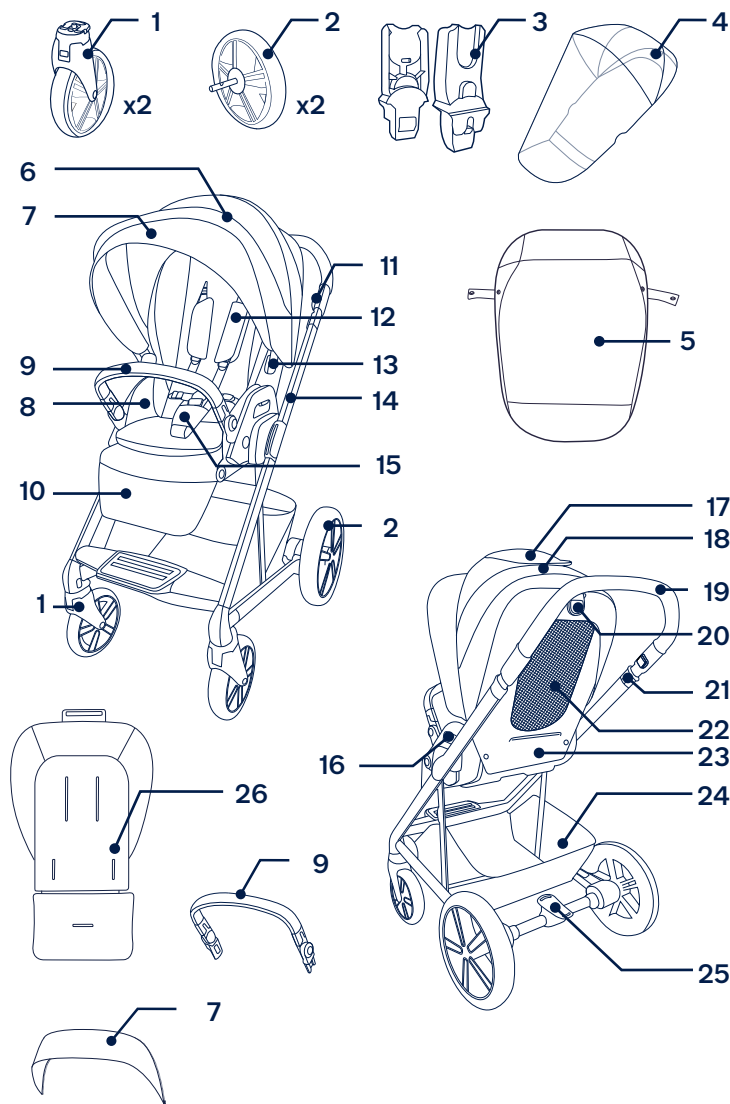
Voziček lahko uporabljate za otroka, ki je lažji od 22 kg. Če je otrok težji, se voziček poškoduje.

Seznam delov

Prepričajte se, da imate pred namestitvijo na voljo vse dele. Če kateri od delov manjka, se obrnite na lokalnega prodajalca. Za namestitev ne potrebujete nobenega orodja.

! NEVARNOST ZADUŠITVE: Odstranite in takoj zavržite zaščitne pokrove z vsakega kolesa in osi za pesto kolesa.

- | | |
|---------------------------------|---------------------------------------|
| 1 Sprednje kolo (x 2) | 15 Prevleka za sponko in mednožni del |
| 2 Zadnje kolo (x 2) | 16 Gumb za sprostitvev sedeža |
| 3 Adapter za avtosedež | 17 Okno na vrhu strehice |
| 4 Dežno pregrinjalo | 18 Okno na zadnjem delu strehice |
| 5 Prevleka | 19 Ročaj vozička |
| 6 Strehica | 20 Gumb za nastavitev naklona |
| 7 Vizir strehice | 21 Gumb za zlaganje |
| 8 Sedežna blazina | 22 Zračna mrežica sedeža |
| 9 Naslonjalo za roke | 23 Žep za shranjevanje |
| 10 Podpora za meča | 24 Nakupovalna košara |
| 11 Gumb za nastavitev ročaja | 25 Vzvod zavore |
| 12 Blaziniči za ramenska pasova | 26 Vložek |
| 13 Zaponke strehice | |
| 14 Okvir vozička | |



Priprava izdelka

Odpiranje otroškega vozička

- 1 - Odprite zaklep za shranjevanje, kot je prikazano na sliki (1). Dvignite s strani na ročaju in zavrtite na hrbtno stran otroškega vozička. Ko zaslišite **klik**, to pomeni, da je ohišje otroškega vozička popolnoma odprto. (2) (2)
 - 2 - Stisnite gumb za nastavitev naklona na zadnjem delu sedeža in hrbtno naslonjalo pomaknite v pokončen položaj. (3)
- ! Pred nadaljevanjem preverite, ali je voziček povsem razprt.

Strehica

- 1 - Zapnite zadrgo vizirja strehice na notranji strani strehice. (4)
- 2 - Vstavite zaponke strehice v držali strehice na obeh straneh vozička. Slišen „klik“ pomeni, da je strehica povsem sestavljena. (5)

Sprednji kolesi

- 1 - Sprednje kolo vstavite v sprednji krak. Slišen „klik“ pomeni, da je kolo povsem sestavljeno. (6) Ponovite na drugi strani.
- ! Preverite, ali je kolo trdno pritrjeno, tako da ga poskusite izvleči.
- 2 - Če želite sprednje kolo odstraniti, pritisnite gumb za sprostitvev (7)-1 in snemite sprednje kolo s sprednjega kraka. (7)-2

Zadnji kolesi

- 1 - Zadnje kolo vstavite v zadnji krak. Slišen „klik“ pomeni, da je zadnje kolo povsem sestavljeno. Ponovite na drugi strani. (8)
- ! Preverite, ali sta kolesi trdno pritrjeni, tako da ju poskusite izvleči.
- 2 - Če želite zadnje kolo odstraniti, pritisnite gumb za sprostitvev (9)-1 in snemite zadnje kolo z zadnjega kraka. (9)-2

Naslonjalo za roke

- ! Otroka vedno pripnite z varnostnim pasom. Naslonjalo za roke ni varovalo.
- 1 - Konca naslonjala za roke poravnajte z držali za naslonjalo za roke in ju vstavite, da se zaskočita s klikom. Slišen „klik“ pomeni, da je naslonjalo za roke povsem sestavljeno. (10)
 - 2 - Če želite naslonjalo za roke odstraniti, pritisnite gumba za sprostitvev naslonjala za roke (11)-1 in dvignite naslonjalo za roke navzgor. (11)-2
 - 3 - Za bolj kompaktno zlaganje, kadar je sedež obrnjen v vzvratni smeri vožnje, pritisnite gumba za nastavitev naslonjala za roke (12)-1 in naslonjalo za roke pomaknite navzdol, (12)-2 da se zaskoči s klikom.
- ! **NIKOLI** ne uporabljajte naslonjala za roke v spuščnem/zloženem položaju, kadar je otrok v vozičku.
- Povsem sestavljen voziček je prikazan na sliki (13).

Preverjanje priprave

- Okvir vozička je razprt.
- Sprednji in zadnji kolesi sta trdno pritrjeni.
- Držalo strehice je pritrjeno na okvir vozička in strehica je pritrjena na sedežno blazino.
- Naslonjalo za roke je trdno pritrjeno.

Uporaba izdelka

- ! Kadar voziček ustavite in pri nameščanju ter jemanju otroka iz vozička **MORATE** aktivirati zavoro.

Pripenjanje otroka

- ! Vedno uporabljajte varnostni pas, da preprečite resne telesne poškodbe zaradi padca ali zdrsa otroka iz sedeža.
Poskrbite, da je varnostni pas ustrezno nastavljen in se tesno prilega otroku. Med otrokom in ramenskim varnostnim pasom je lahko prostora približno za debelino enega prsta. Ramenskih pasov **NE** prekrizajte. S tem boste povzročili pritisk na otrokov vrat.
- 1** - Pritisnite sredinski gumb na sponki, da sprostite zaklep sponke, odstranite zaponke in otroka namestite v voziček. **(14)**
- 2** - Spojite ramensko in bočno sponko. **(15)**
- 3** - Ramensko in bočno sponko vpnite v zaklep sponke in postopek ponovite na drugi strani. **(16)**
- 4** - Pas otroku namestite tako, da nastavitvene trakove povlečete in zategnete toliko, da se mu tesno prilegajo **(17)**-1. Nato izvlcite nastavitvene trakove trebušnega pasu **(17)**-2.

Položaj ramenskega varnostnega pasu

- 1** - Zgornji sponki ramenskega varnostnega pasu lahko premikate gor in dol za dodatno nastavitvev pasu. **(18)**

Mednožni pas

Ugotovite, katera reža za mednožni pas omogoča tesno prileganje. Po potrebi zamenjajte režo za mednožni pas.

- 1 - Ta položaj je primeren za manjše dojenčke. **(19)-1**
- 2 - Ta položaj je primeren za večje dojenčke. **(19)-2**

Strehica

- 1 - Če želite strehico odpreti, jo povlecite proti sprednjemu delu sedeža. Če želite strehico zapreti, jo potisnite nazaj. **(20)**
- 2 - Po potrebi izvlecite ali pospravite vizir strehice. Kadar vizirja strehice ne uporabljate, ga zložite pod strehico. **(21)**
- 3 - Za večjo senco in zračenje odprite zadrgo na strehici. **(22)**
- 4 - Za zračenje odprite poklopec okna na vrhu strehice. **(23)**
- 5 - Za dodatno zračenje odprite poklopec okna na zadnjem delu strehice. **(24)**

Zaklep sprednjih vrtljivih koles

Na neravnih površinah priporočamo uporabo zaklepa sprednjih vrtljivih koles.

- 1 - Stisnite **(25)-1** in izvlecite zaklep sprednjih vrtljivih koles **(25)-2**, da zaklenete sprednje kolo tako, da je obrnjeno naprej v smeri vožnje. Morda boste morali kolo premakniti, da se bo zaklenilo.
- 2 - Pritisnite zaklep sprednjih vrtljivih koles notri, da kolo odklenete. **(26)**

Zavora

- 1 - Če želite zakleniti zadnji kolesi, z nogo pritisnite na rdeče območje na vzvodu zavore. **(27)**
 - 2 - Če želite odkleniti zadnji kolesi, z nogo pritisnite na zeleno območje na vzvodu zavore. **(28)**
- ! Kadar otroški voziček ustavite, vedno aktivirajte zavoro. Otroški voziček rahlo potisnite, da se prepričate, da je zavora aktivirana.

Ročaj

Ročaj je mogoče namestiti v 3 položaje.

- 1 - Če želite nastaviti višino ročaja, pritisnite gumba za nastavev ročaja **(29)-1** in ročaj povlecite navzgor ali navzdol. **(29)-2**

Nastavitev naklona

Hrbtno naslonjalo lahko namestite v 5 položajev naklona.

- 1 - Če želite dvigniti ali spustiti hrbtno naslonjalo, stisnite gumb za nastavev naklona in sedež povlecite navzgor ali navzdol. **(30)**

Podpora za meča

Podporo za meča je mogoče namestiti v 2 položaja.

- 1 - Če želite dvigniti podporo za meča, jo privzdignite. **(31)**
- 2 - Če želite spustiti podporo za meča, pritisnite nastavitvena gumba na obeh straneh **(32)-1** in podporo za meča potisnite navzdol. **(32)-2**

Vložek

Vložek lahko odstranite in uporabljate samo mrežasti sedalni del za boljše zračenje v vročem vremenu.

- 1 - Če želite odstraniti vložek, odlepite ježek trak na vložku z zadnje strani sedeža, odprite varnostni pas, ga potisnite skozi reže za pas in odstranite sedežno blazino. **(33)**

! NE odstranite cevi naslonjala.

Obračanje sedeža

Sedež lahko uporabljate v smeri vožnje ali v obratni smeri vožnje.

- 1 - Stisnite gumba za sprostitev sedeža in dvignite sedež. **(34)**
- 2 - Sedež obrnite v nasprotni smeri in ga namestite v držali za sedež, da se zaskoči s klikom. Slišen „klik“ pomeni, da je sedež pritrjen. **(35)**

! Preverite, ali je sedež varno nameščen, tako da ga povlečete.

Zlaganje

Predn zložite voziček, strehico potisnite nazaj.

- 1 - Stisnite gumb za nastavitev naklona na zadnjem delu sedeža **(36)-1** in hrbtno naslonjalo pomaknite v zloženi položaj. **(36)-2**
- 2 - Povlecite gumba za zlaganje **(37)-1** in voziček potisnite naprej, da se zloži. **(37)-2**
- 3 - Zaklenite voziček tako, da zaklep za shranjevanje zataknete za držalo. **(38)**

Dodatna oprema

Adapterji za avtosedež

Kadar voziček uporabljate z lupinico NUNA, prosimo, upoštevajte naslednja navodila.

- 1 - Adapterje namestite tako, da jih vstavite v držali za sedež, kot je prikazano. Slišen „klik“ pomeni, da so adapterji zaklenjeni. **(39)**
- 2 - Lupinico za dojenčka pritrдите tako, da jo namestite na adapterje, kot prikazuje slika **(40)**. Slišen „klik“ pomeni, da je lupinica za dojenčka zaklenjena. **(41)**
- 3 - Naklon lupinice za dojenčka lahko prilagodite z našimi nastavljivimi adapterji. **(42)**
- 4 - Če želite lupinico za dojenčka odstraniti, jo dvignite navzgor **(43)-2** in obenem pritisnite gumba za sprostitev z vozička. **(43)-1**
- 5 - Če želite odstraniti adapterje, jih dvignite navzgor **(44)-2** in obenem povlecite gumba za sprostitev. **(44)-1**

Prevleka za voziček

Mehka prevleka lahko zagotovi toploto in udobje otroka.

- 1 - Prevleko namestite čez sedež, pritrđite pritiskač na prevleki na sedež **(45)-1**, ponovite na drugi strani.
- 2 - Nameščena prevleka je prikazana na sliki **(45)**.

Dežno pregrinjalo

Pred namestitvijo dežnega pregrinjala se prepričajte, da je strehica povsem odprta.

- 1 - Dežno pregrinjalo uporabite tako, da ga namestite čez voziček. **(46)**
- ! Kadar je na izdelku nameščeno dežno pregrinjalo, **VEDNO** preverjajte zračenje.
- VEDNO** se prepričajte, da je dežno pregrinjalo čisto in suho, preden ga zložite.
- NE** zlagajte vozička z nameščenim dežnim pregrinjalom.
- NE** nameščajte otroka v voziček z nameščenim dežnim pregrinjalom, kadar je vroče vreme.

Čiščenje in vzdrževanje

Okvir, plastične dele in tekstil čistite z vlažno krpo. Ne uporabljajte abrazivnih sredstev ali belila. Ne uporabljajte silikonskih maziv, saj se bo na njih prijela umazanija. Vozička ne shranjujte v vlažnem prostoru.

Kolesa vozička redno čistite z vodo in odstranite vsakršno umazanijo.

Za zagotavljanje dolgotrajne uporabe izdelek po uporabi v dežju obrišite z mehko in vpojno krpo.

Za navodila glede pranja in sušenja tekstilnih delov glejte oznako za vzdrževanje na tekstilu.

Čisto običajno je, da tudi ob normalni uporabi tkanina spremeni barvo zaradi izpostavljenosti sončni svetlobi in da se po daljši uporabi pokažejo znaki obrabe.

Iz varnostnih razlogov uporabljajte samo originalne dele Nuna.

Redno preverjajte, ali vsi deli delujejo pravilno. Izdelek nehajte uporabljati, če je kateri od delov strgan, zlomljen ali manjka.

NUNA International B.V.
NUNA in vsi povezani logotipi so zaščiteni kot blagovna znamka.

**ВАЖНО!
ПРОЧИТЕ
ВНИМАТЕЛЬНО
И СОХРАНИТЕ ДЛЯ
ИСПОЛЬЗОВАНИЯ
В БУДУЩЕМ**

Содержание

Информация об изделии	243
Регистрация изделия	
Гарантия	
Контактные данные	
Требования к росту, весу и возрасту ребенка	244
Предупреждения	245
Комплектация	249
Установка изделия	251
Эксплуатация изделия	254
Принадлежности	258
Адаптер автомобильного сиденья	
Фартук	
Дождевик	
Очистка и уход за изделием	260

Информация об изделии

Номер модели: _____

Дата изготовления: _____

Регистрация изделия

Укажите приведенную выше информацию. Номер модели и дата изготовления указаны на этикетке на нижней стороне рамы коляски.

Для регистрации изделия посетите веб-сайт:

www.nunababy.com

Щелкните ссылку "Регистрация устройства" на главной странице.

Гарантия

Мы специально разрабатываем наши высококачественные изделия так, чтобы они росли вместе с вашим ребенком и вашей семьей. Мы гарантируем качество своих изделий, и поэтому на механизмы наших устройств предоставляется гарантия клиента, начиная с момента их покупки. Обращаясь к нам, предъявите кассовый чек и сообщите номер модели и дату изготовления.

Для просмотра сведений о гарантии посетите веб-сайт:

www.nunababy.com

Щелкните ссылку "Гарантия" на главной странице.

Комплектация

Для приобретения запасных частей, услуг или дополнительных разъяснений по гарантии обращайтесь в отдел обслуживания клиентов.

info@nunababy.com

www.nunababy.com

Требования к росту, весу и возрасту ребенка

Коляска предназначена для детей, отвечающих следующим требованиям.

С рождения до достижения веса в 22 кг или возраста 4 лет, в зависимости от того, что наступит ранее.

При использовании рамы коляски с переносной люлькой MIXX или люльками Nupa следует соблюдать требования к росту и весу детей, приведенные в настоящем руководстве по эксплуатации.

⚠ ВНИМАНИЕ!

Несоблюдение этих предупреждений и инструкций может привести к причинению серьезного вреда здоровью ребенка или летальному исходу.

Всегда используйте удерживающую систему.

Перед использованием коляски убедитесь, что все крепежные устройства на коляске, сидении или автокресле задействованы надлежащим образом.

Не позволяйте ребенку играть с данным изделием.

Прежде чем использовать коляску, убедитесь, что задействованы все фиксаторы.

Категорически запрещается оставлять ребенка без присмотра.

Данное изделие не предназначено для бега или катания на роликах.

Во избежание причинения вреда здоровью ребенка не складывайте и не раскладываете коляску вблизи ребенка.

RU Не разрешается использовать принадлежности, не одобренные производителем коляски. Разрешается использовать только запасные части, поставляемые или рекомендованные производителем или дистрибьютором коляски.

Сборку должны осуществлять взрослые.

ВСЕГДА задействуйте тормоз, если необходимо совершить остановку.

Условия гарантии не распространяются на любые повреждения, вызванные использованием принадлежностей, не поставляемых компанией Nuna.

Прикрепление любого груза к рукоятке, спинке или боковым частям коляски приведет к нарушению ее устойчивости.

Ребенку разрешается подходить к коляске, только когда она полностью собрана, а все фиксаторы задействованы.

ЗАПРЕЩАЕТСЯ перевозка нескольких детей, товаров и принадлежностей с помощью коляски, если это не предусмотрено в настоящем руководстве. Это может привести к неустойчивости коляски.

ЗАПРЕЩАЕТСЯ оставлять коляску вблизи источников сильного тепла, например радиатора или открытого огня.

ЗАПРЕЩАЕТСЯ ставить любые предметы на козырек.

ЗАПРЕЩАЕТСЯ хранить коляску в сыром месте. Сушите тканевые детали на воздухе, вдали от прямых солнечных лучей.

ЗАПРЕЩАЕТСЯ помещать ребенка в вещевую корзину.

ЗАПРЕЩАЕТСЯ использовать коляску, если какие-либо из ее деталей повреждены или отсутствуют.

Автолюлька, установленная на раму данной коляски, не заменяет люльку или кроватку для новорожденных. Чтобы уложить ребенка спать, его необходимо перенести в подходящую лежачую коляску, люльку или кровать.

Храните мелкие детали в местах, недоступных для детей, так как существует опасность удушья.

Соблюдайте осторожность, поднимаясь на бордюры и проезжая по неровной дороге. Многократные удары могут привести к поломке коляски.

НЕ РАЗРЕШАЙТЕ ребенку стоять на коляске.

ЗАПРЕЩАЕТСЯ перевозить в коляске нескольких детей за один раз.

ЗАПРЕЩАЕТСЯ использовать коляску на лестницах и эскалаторах. В случае внезапной утраты контроля над коляской ребенок может выпасть из нее.

Ремни безопасности должны быть правильно застегнуты и отрегулированы. Ремни безопасности не являются равноценной заменой надлежащему присмотру взрослых.

Перед тем как помещать ребенка в коляску или извлекать его из коляски, необходимо задействовать тормоза.

Перегрузка, неправильное сложение и использование принадлежностей, например детских сидений, крючков для сумок, дождевиков, подножек и т.д., неразрешенных компанией Nuna, может привести к поломке коляски или сделать ее эксплуатацию небезопасной.

Резиновые покрышки могут оставлять черные следы на ровных поверхностях: паркете, ламинате и линолеуме.

ОПАСНОСТЬ УДУШЕНИЯ Запрещается помещать предметы с лентами и веревками вокруг шеи ребенка, свешивать ленты и веревки с данного устройства, а также прикреплять веревки и ленты к игрушкам.

Во избежание риска удушья снимите пленочную упаковку перед использованием устройства и утилизируйте или уберите подальше от детей!

Во избежание опасного опрокидывания коляски не кладите предметы весом более 4,5 кг в вещевую корзину и весом более 0,45 кг в карман для вещей.

Для новорожденных детей используется самое нижнее положение спинки.

В коляске допускается перевозить детей весом не более 22 кг. Перевозка в коляске детей большего веса может привести к ее повреждению.

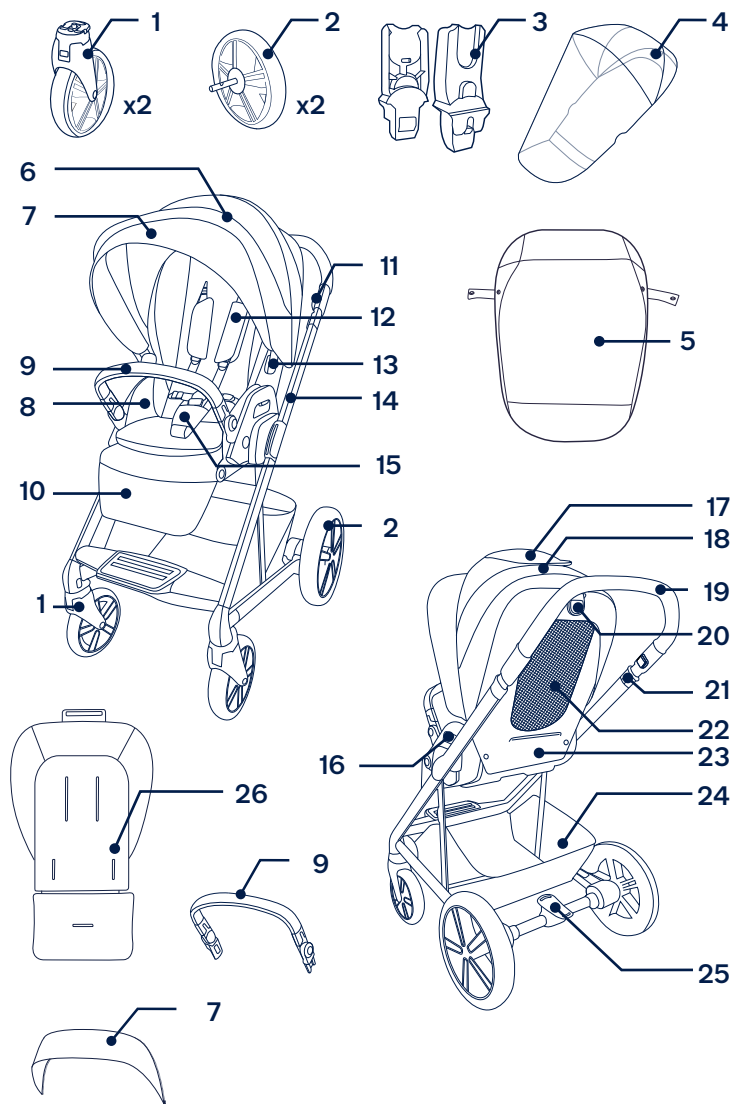
Спецификация деталей

Перед сборкой данного изделия проверьте наличие всех деталей.

В случае отсутствия любых деталей обратитесь в магазин, где было приобретено данное изделие. Для сборки не требуются инструменты.

! ОПАСНОСТЬ УДУШЕНИЯ: Снимите и немедленно утилизируйте защитные колпачки и заглушки со всех колес и осей ступиц колес.

- | | |
|----------------------------------|---|
| 1 Передние колеса (x2) | 14 Рама коляски |
| 2 Задние колеса (x2) | 15 Пряжка и накладка для пахового ремня |
| 3 Адаптер автомобильного сиденья | 16 Кнопка фиксатора сиденья |
| 4 Дождевик | 17 Верхнее окно в козырьке |
| 5 Фартук | 18 Заднее окно в козырьке |
| 6 Козырек | 19 Рукоятка коляски |
| 7 Смотровой щиток в козырьке | 20 Кнопка регулировки наклона |
| 8 Подкладка сиденья | 21 Кнопка складывания |
| 9 Поручень | 22 Вентиляция сиденья |
| 10 Опора для ног | 23 Карман для вещей |
| 11 Кнопка регулировки рукоятки | 24 Вещевая корзина |
| 12 Накладки для плечевых ремней | 25 Педаль тормоза |
| 13 Фиксаторы козырька | 26 Вкладыш |



Установка изделия

Раскладывание коляски

- 1 - Откройте фиксатор для хранения, как показано на рисунке (1). Поднимите за рукоятку с обеих сторон и поверните к задней стороне коляски. При полном раскрытии рамы слышится характерный "щелчок". (2)
 - 2 - Сожмите кнопку регулировки наклона с обратной стороны сиденья и приведите спинку в вертикальное положение. (3)
- ! Перед продолжением удостоверьтесь, что коляска полностью разложена.

Козырек

- 1 - Пристегните смотровой щиток к внутренней стороне козырька. (4)
- 2 - Вставьте фиксаторы козырька в крепления для козырька, расположенные с обеих сторон коляски. При полной сборке козырька слышится характерный "щелчок". (5)

Передние колеса

- 1 - Вставьте переднее колесо в переднюю ножку. При полной сборке колеса слышится характерный "щелчок". (6) Повторите эту операцию с противоположной стороны.
- ! Потяните за колесо, чтобы поверить прочность его крепления.

- 2 - Чтобы снять переднее колесо, нажмите на кнопку фиксатора (7)-1 и снимите переднее колесо с передней ножки. (7)-2

Задние колеса

- 1 - Вставьте заднее колесо в заднюю ножку. При полной сборке заднего колеса слышится характерный "щелчок". Повторите эту операцию с противоположной стороны. (8)
- ! Потяните за колеса, чтобы поверить прочность их крепления.
- 2 - Чтобы снять заднее колесо, нажмите на кнопку фиксатора (9)-1 и снимите заднее колесо с задней ножки. (9)-2

Поручень

- ! Всегда пристегивайте ребенка ремнями безопасности. Поручень не является удерживающим устройством.
- 1 - Совместите края поручня с креплениями для поручня и защелкните их. При полной сборке поручня слышится характерный "щелчок". (10)
 - 2 - Чтобы снять поручень, нажмите на кнопки его фиксации (11)-1 и поднимите поручень вверх. (11)-2
 - 3 - Для более компактного сложения, если сиденье расположено лицом против направления движения, нажмите на кнопки регулировки поручня (12)-1 и поверните поручень вниз (12)-2 до щелчка.

! **ЗАПРЕЩАЕТСЯ** использовать поручень в опущенном/ сложенном состоянии, если ребенок находится в коляске.

Полностью собранная коляска показана на рисунке **(13)**.

См. раздел Установка

- Рама коляски открыта
- Передние колеса и задние колеса надежно прикреплены
- Крепления для козырька прикреплены к раме коляски, а козырек прикреплен к подкладке сиденья
- Поручень надежно прикреплен

Эксплуатация изделия

! Тормоза **должны** быть задействованы в случае остановки коляски и перед тем, как помещать ребенка в коляску или извлекать его из коляски.

Фиксация ребенка

! Во избежание причинения серьезного вреда здоровью ребенка в результате падения или выскальзывания из коляски обязательно используйте пристяжные ремни. Убедитесь, что ремень правильно отрегулирован, а ребенок плотно зафиксирован. Расстояние между телом ребенка и плечевыми ремнями не должно превышать толщину одного пальца. **ЗАПРЕЩАЕТСЯ** перекрещивать плечевые ремни. Это приведет к сдавливанию шеи ребенка.

- 1** - Нажмите на центральную кнопку пряжки, чтобы расстегнуть ее, извлеките фиксаторы и поместите ребенка в коляску. **(14)**
- 2** - Соедините плечевую и поясную пряжку. **(15)**
- 3** - Пристегните плечевую и поясную пряжку к защелке и повторите данные действия с противоположной стороны. **(16)**
- 4** - Зафиксируйте ребенка ремнями. Для этого затяните их с помощью регулировочных ремешков **(17)**-1. Затем вытащите ремешки для регулировки поясных ремней **(17)**-2.

Положение плечевого ремня

- 1 - Верхние пряжки плечевых ремней можно перемещать вверх и вниз для улучшенной регулировки ремней. **(18)**

Паховый ремень

Определите, какое отверстие для пахового ремня лучше использовать, чтобы ремень был хорошо натянут. При необходимости проденьте паховый ремень в другое отверстие.

- 1 - Это положение предназначено для маленьких детей. **(19)-1**
- 2 - Это положение предназначено для больших детей. **(19)-2**

Козырек

- 1 - Чтобы открыть козырек, потяните его к передней части сиденья. Чтобы закрыть козырек, нажмите на него. **(20)**
- 2 - При необходимости смотровой щиток можно сдвигать вперед или назад. Если смотровой щиток не используется, сложите его под козырек. **(21)**
- 3 - Для лучшего затенения и проветривания расстегните молнию на козырьке. **(22)**
- 4 - Для проветривания переверните клапан верхнего окна в козырьке. **(23)**
- 5 - Для лучшего проветривания переверните клапан заднего окна в козырьке. **(24)**

Фиксаторы передних колес

Фиксаторы передних колес рекомендуется использовать на неровных поверхностях.

- 1 - Сожмите **(25)-1** и вытащите фиксатор передних колес **(25)-2**, чтобы зафиксировать передние колеса в направлении движения. Для фиксации может потребоваться повернуть колеса.
- 2 - Чтобы освободить колеса, нажмите на фиксатор передних колес. **(26)**

Тормоз

- 1 - Чтобы зафиксировать задние колеса, наступите на красную часть педали тормоза. **(27)**
 - 2 - Чтобы освободить задние колеса, наступите на зеленую часть педали тормоза. **(28)**
- !** В случае остановки коляски обязательно задействуйте тормоз. Слегка толкните коляску, чтобы проверить, задействован ли тормоз.

Рукоятка

Рукоятка имеет 3 положения.

- 1 - Для регулировки высоты рукоятки нажмите на кнопки регулировки рукоятки **(29)-1** и потяните рукоятку вверх или вниз. **(29)-2**

Регулировка наклона

Спинку можно установить в 5 положений наклона.

- 1 - Чтобы поднять или опустить спинку, сожмите кнопку регулировки наклона и потяните сиденье вверх или вниз. **(30)**

Опора для ног

Опору для ног можно установить в 2 положения.

- 1 - Чтобы поднять опору для ног выше, поднимите ее. (31)
- 2 - Чтобы опустить опору для ног, нажмите на кнопки регулировки с обеих сторон (32)-1 и нажмите на опору. (32)-2

Вкладыш

Для лучшего проветривания в жаркую погоду можно извлечь вкладыш и пользоваться сетчатой обивкой сиденья.

- 1 - Чтобы извлечь вкладыш, расстегните застёжки-липучки на вкладыше с обратной стороны сиденья, отстегните ремни безопасности, проденьте ремни безопасности в соответствующие прорези и извлеките подкладку сиденья. (33)

! НЕ снимайте трубку спинки.

Переворачивание сиденья

Сиденье можно использовать в положении по направлению движения и против направления движения.

- 1 - Сожмите кнопки фиксации сиденья и поднимите сиденье вверх. (34)
- 2 - Поверните сиденье в противоположном направлении и установите на крепления сиденья до щелчка. При полной фиксации сиденья слышится характерный "щелчок". (35)

! Потяните за сиденье, чтобы проверить надежность его крепления.

Сложение

Перед тем, как сложить коляску, прижмите козырек к ее задней стороне.

- 1 - Сожмите кнопку регулировки наклона с обратной стороны сиденья (36)-1 и приведите спинку в положение хранения. (36)-2
- 2 - Потяните за кнопки сложения (37)-1 и согните коляску вперед. (37)-2
- 3 - Зафиксируйте коляску, задействовав фиксатор для хранения на соответствующем креплении. (38)

Принадлежности

Адаптеры автомобильного сиденья

При использовании коляски с переносными люльками Nuna соблюдайте приведенные ниже инструкции.

- 1 - Чтобы прикрепить адаптеры, установите их на крепления сиденья, как показано на рисунке. При **полной фиксации** адаптеров слышится характерный "щелчок". (39)
- 2 - Чтобы прикрепить переносную люльку, поставьте переносную люльку на адаптеры, как показано на рисунке (40). При **полной фиксации** переносной люльки слышится характерный "щелчок". (41)
- 3 - Угол наклона переносной люльки настраивается с помощью регулируемых адаптеров. (42)
- 4 - Чтобы снять переносную люльку, поднимите ее вверх (43)-2, нажав на кнопки фиксации коляски. (43)-1
- 5 - Чтобы снять адаптеры, поднимите их вверх (44)-2, потянув за кнопки фиксации. (44)-1

Фартук коляски

Мягкий фартук обеспечит ребенку тепло и комфорт.

- 1 - Наденьте фартук на сиденье, застегните крепления на фартуке и сиденье **(45)-1**, повторите эти действия с противоположной стороны.
- 2 - Собранный фартук показан на рисунке **(45)**.

Дождевик

Перед тем как надевать дождевик, убедитесь, что козырек полностью раскрыт.

- 1 - Для сборки дождевика наденьте его на коляску. **(46)**

! **ВСЕГДА** проверяйте вентиляцию, когда изделие накрыто дождевиком.

ВСЕГДА очищайте и просушиваете дождевик перед тем, как его сложить.

НЕ складывайте коляску с установленным дождевиком.

ЗАПРЕЩАЕТСЯ помещать ребенка в коляску с установленным дождевиком в жаркую погоду.

Очистка и уход за изделием

Очистка рамы, пластмассовых и тканевых деталей должна выполняться влажной салфеткой, без использования абразивных моющих средств и отбеливателей. Не рекомендуется использовать силиконовые смазочные материалы, так как к ним прилипает пыль и грязь. Запрещается хранить коляску в сыром месте.

Регулярно промывайте колеса коляски водой и очищайте их от грязи.

Для обеспечения долгой эксплуатации протирайте изделие мягкой, впитывающей влагу салфеткой после использования в дождливую погоду.

Инструкции по стирке и сушке тканевых деталей приводятся на прикрепленных к ним этикетках по уходу.

Ткань имеет свойство выгорать на солнце, а также изнашиваться в ходе длительной эксплуатации даже при соблюдении всех условий и требований.

В целях безопасности используйте только оригинальные детали Nuna.

Регулярно проверяйте исправность всех компонентов изделия. Прекратите эксплуатацию изделия, если любой из его компонентов разорван, сломан или отсутствует.

**VIKTIG!
LES NØYE
OG BEHOLD FOR
FREMTIDIG OPPSLAG**

Innhold

Produktinformasjon	263
Produktregistrering	
Garanti	
Kontakt	
Krav for bruk med barn	264
Advarsler	265
Deleliste	269
Produktoppsett	271
Bruke produktet	273
Tilbehør	276
Bilseteadapter	
Dekke til	
Regntrekk	
Rengjøring og vedlikehold	278

Produktinformasjon

Modellnummer: _____

Produksjonsdato: _____

Produktregistrering

Fyll ut informasjonen ovenfor. Modellnummeret og produksjonsdato står på en etikett bunnen av rammen til barnevognen.

Du kan registrere produktet på:

www.nunababy.com

Klikk koblingen «Registrer utstyr» på hjemmesiden.

Garanti

Vi har med hensikt designet våre høykvalitetsprodukter slik at de kan vokse med både barnet ditt og familien din. Da vi stoler på produktet vårt, er det dekket av en tilpasset garanti avhengig av produktet, som gjelder fra og med kjøpsdato.

Vi ber om at du har klart kjøpsbevis, modellnummer og produksjonsdato når du kontakter oss.

Du finner garantiinformasjon på:

www.nunababy.com

Klikk koblingen «Garanti» på hjemmesiden.

Kontakt

For reservedeler, service eller andre spørsmål om garantier kan du kontakte vår kundeserviceavdeling.

info@nunababy.com

www.nunababy.com

Krav for bruk med barn

Denne barnevognen er for bruk på barn som oppfyller følgende:

Nyfødt til 22 kg eller 4 år avhengig av det som kommer først.

Når du bruker barnevognrammen med bæresengen MIXX eller spedbarnsbærere fra Nuna, må du se kravene for bruk med barn som står i disse bruksanvisningene.

ADVARSEL

Dersom disse advarslene og instruksjonene ikke følges, kan det føre til alvorlig personskade eller dødsfall.

Bruk alltid sikringssele.

Kontroller før hver bruk at låsemekanismene for barnevognbagen eller bilsetet virker som de skal.

La ikke barnet leke med produktet.

Kontroller at alle låsemekanismer er aktivert før bruk.

Aldri etterlat barnet uten tilsyn.

Dette produktet egner seg ikke for løping eller bruk med rulleskøyter.

For å unngå personskade, sørg for å holde barnet ditt på avstand mens du slår opp og slår sammen produktet.

Tilbehør som ikke er godkjent av produsenten, skal ikke brukes. Kun erstatningsdeler som leveres eller anbefales av produsent/distributør skal brukes.

Må settes sammen av en voksen.

Slå **ALLTID** på parkeringsbremsen når du stopper.

Eventuell skade forårsaket av bruk av tilbehør som ikke er levert av Nuna, dekkes ikke av garantivilkårene.

En belastning som er festet til håndtaket, på baksiden av ryggstøtten og/eller på sidene av vognen, vil påvirke stabiliteten.

Sørg for at barnevognen er helt oppreist og låst på plass før du lar barnet være i nærheten av barnevognen.

IKKE transporter flere barn, varer, tilbehør i eller på barnevognen unntatt det som er tillatt i denne bruksanvisningen. De kan gjøre barnevognen ustabil.

IKKE legg barnevognen der den blir utsatt for en sterk varmekilde, dvs. en radiator eller åpen ild.

IKKE plasser gjenstander på kalesjen.

IKKE oppbevar barnevognen på et fuktig sted. La alltid stoffet tørke naturlig og vekke fra direkte varme.

IKKE legg barn i oppbevaringskurven.

IKKE bruk barnevognen hvis noen deler er ødelagte eller mangler.

Bilstoler som brukes sammen med undervogn erstatter ikke en barneseng eller en seng. Dersom barnet trenger å sove, må det legges i en egnet barnevogn, barneseng eller seng.

Hold små deler borte fra barn, da de utgjør en kvelningsfare.

Vær forsiktig over fortauskanter og grovt underlag. Gjentatte slag kan skade barnevognen.

La **ALDRI** barn stå i barnevognen.

Ha **ALDRI** mer en ett barn i barnevognen av gangen.

Bruk **ALDRI** barnevognen på trapper eller rulletrapper. Du kan plutselig miste kontrollen over barnevognen, eller så kan barnet falle ut.

Selen må alltid være riktig montert og justert. Selen erstatter ikke riktig tilsyn av voksen.

Parkeringsbremsen skal være aktiv når barn settes i og tas ut.

Overbelastning, feil bretteing og bruk av tilbehør som barneseter, posekroker, regntrekk, vognbrett osv. utenom de som er godkjent av Nuna, kan skade eller gjøre barnevognen utrygg.

Gummidekk kan lage svarte merke på glatte overflater som parkett, laminat og linoleum.

KVELNINGSFARE Ikke plasser gjenstander med en streng rundt barnets nakke, henge strenger fra dette produktet eller fester strenger til leker.

For å unngå fare for kvelning må alt av plastomslag fjernes før produktet brukes. Det må ødelegges eller holdes unna barn.

Ikke legg mer enn 4,5 kg i oppbevaringskurven eller 0,45 kg i oppbevaringslommen for å hindre farlig ustabilitet.

BRUK den mest bakoverlente stillingen for nyfødte.

Barnevognen skal kun brukes med barn som veier under 22 kg. Barnevognen skades hvis den brukes med et barn som ikke passer.

NO

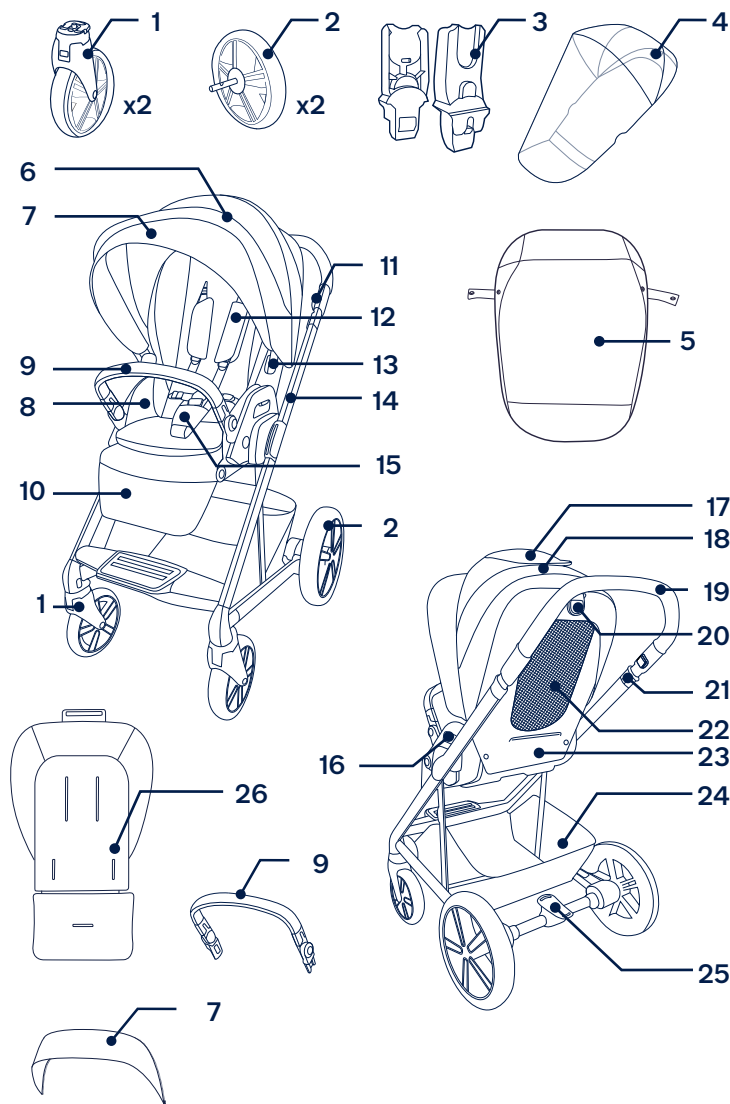
NO

Deleliste

Påse at du har alle delene før montering.
Hvis noen del mangler, kontakter du din lokale forhandler.
Ingen verktøy kreves for montering.

! KVELNINGSFARE: Fjern og kast de beskyttende endehettene fra hvert hjul og hjulnavakselen.

- | | |
|---------------------------|----------------------------|
| 1 Forhjul (x2) | 14 Barnevognramme |
| 2 Bakhjul (x2) | 15 Spenne- og skrittdeksel |
| 3 Bilseteadapter | 16 Seteutløserknapp |
| 4 Regntrekk | 17 Øvre kalesjevindu |
| 5 Dekke | 18 Bakre kalesjevindu |
| 6 Kalesje | 19 Barnevognhåndtak |
| 7 Kalesjeskjerm | 20 Ryggjusteringsknapp |
| 8 Setepute | 21 Bretteknapp |
| 9 Armstang | 22 Seteventilasjon |
| 10 Leggstøtte | 23 Oppbevaringslomme |
| 11 Håndtakjusteringsknapp | 24 Oppbevaringskurv |
| 12 Skulderbelteputer | 25 Bremsespak |
| 13 Kalesjeklemmer | 26 Innsats |



Produktoppsett

Åpne barnevogn

- 1 - Åpne oppbevaringslåsen som vist **(1)**. Løft opp håndtaket fra sidene, og roter bak på vognen. Når du hører et «klikk», betyr det at barnevognrammen er helt åpen. **(2)**
 - 2 - Klem ryggjusteringsknappen på baksiden av setet, og vri ryggstøtten til stående stilling. **(3)**
- ! Kontroller at barnevognen er helt åpen før du fortsetter.

Kalesje

- 1 - Glid fast glidelåsen på innsiden av kalesjen. **(4)**
- 2 - Sett kalesjeklemmene inn i kalesjefestene på sidene av barnevognen. Når du hører et «klikk», betyr det at kalesjen er ferdigmontert. **(5)**

Forhjul

- 1 - Sett forhjulet inn i forbenet. Når du hører et «klikk», betyr det at hjulet er ferdigmontert. **(6)** Gjenta på den andre siden.
- ! Kontroller at hjulet er ordentlig festet ved å trekke ut.
- 2 - For å fjerne forhjulet trykker du utløserknappen **(7)-1** og løsner det fra forbenet. **(7)-2**

Bakhjul

- 1 - Sett bakhjulet inn i bakbenet. Når du hører et «klikk», betyr det at bakhjulet er ferdigmontert. Gjenta på den andre siden. **(8)**

- ! Kontroller at hjulene er godt festet ved å trekke dem ut.
- 2 - For å fjerne bakhjulet trykker du utløserknappen **(9)-1** og løsner bakhjulet fra bakbenet. **(9)-2**

Armstang

- ! Barnet skal alltid sikres med selen. Armstangen er ikke et sikkerhetsfeste.
- 1 - Sett endene på armstangen på linje med festene til armstangen, og sett inn til den klikker på plass. Når du hører et «klikk», betyr det at armstangen er ferdigmontert. **(10)**
 - 2 - Fjern armstangen ved å trykke utløserknappene dens **(11)-1** og løfte den opp. **(11)-2**
 - 3 - Du kan brette med kompakt når setet er bakovervendt ved å trykke justeringsknappene på armstangen **(12)-1** og dreie armstangen ned **(12)-2** til den klikker på plass.
- ! Bruk **ALDRI** armstangen i senket/brettet stilling når barnet er i barnevognen.

Den ferdigmonterte basen er vist som **(13)**.

Sjekk Oppsett

- Barnevognrammen er låst opp
- Forhjul og bakhjul er forsvarlig festet
- Kalesjefestet er festet til barnevognrammen og kalesjen til seteputen
- Armstangen er godt festet

Bruke produktet

- ! Parkeringsbremsen **MÅ** være på når barnevognen er stoppet og når barnet legges i og tas ut.

Sikre barnet

- ! For å unngå alvorlig skade fra fall eller skliing må sikkerhetsbeltet alltid brukes. Sørg for at beltet er riktig justert og at barnet er godt festet. Avstanden mellom barnet og skulderbeltet skal være på omtrent tykkelsen til en finger. **IKKE** kryss skulderbeltene. Det vil forårsake trykk på barnets nakke.

- 1 - Trykk midtknappen på spennen for å frigjøre spennelåsen, fjern klemmene, og legg barnet i barnevognen. **(14)**
- 2 - Koble sammen skulderspennen og hoftespennen. **(15)**
- 3 - Fest skulderspennen og hoftespennen til spennelåsen, og gjenta dette på motsatt side. **(16)**
- 4 - Pass selen tett mot barnet ved å skyve justeringsstroppene for å stramme **(17)-1**. Trekk deretter midjusteringsstroppene ut **(17)-2**.

Posisjonen til skulderbeltet

- 1 - Spennene på øvre skuldersele kan flyttes opp og ned for ekstra justering. **(18)**

Skrittbelte

Finn det skrittbeltesporet som passer tett. Skift beltespor ved behov.

- 1 - Mindre spedbarn bruker denne stillingen. **(19)-1**
- 2 - Større spedbarn bruker denne stillingen. **(19)-2**

Kalesje

- 1 - Åpne kalesjen ved å trekke den mot forsiden av setet. Lukk kalesjen ved å trykke den tilbake. **(20)**
- 2 - Plasser kalesjeskjermen fremover eller bakover etter behov. Når kalesjeskjermen ikke er i bruk, bretter du den under kalesjen. **(21)**
- 3 - Åpne glidelåsen på kalesjen for ekstra skygge og ventilasjon. **(22)**
- 4 - Vipp opp dekselet på øvre toppdeksel for ventilasjon. **(23)**
- 5 - Vipp opp dekselet på bakre toppdeksel for ekstra ventilasjon. **(24)**

Fremre svingelåser

De fremre svingelåsene bør brukes på ujevne overflater.

- 1 - Klem **(25)-1** og trekk ut den fremre svingelåsen **(25)-2** for å låse forhjulet fremover. Du kan være nødt til å flytte hjulet for å låse det.
- 2 - Skyv den fremre svingelåsen for å låse opp. **(26)**

Brems

- 1 - For å låse bakhjulene trækker du ned på det røde området på bremsespaken. **(27)**
- 2 - For å låse opp bakhjulene trækker du ned på det grønne området på bremsespaken. **(28)**

- ! Bruk alltid bremsen når barnevognen er stoppet. Skyv barnevognen litt for å sørge for at bremsen er på.

Håndtak

Håndtaket har 3 stillinger.

- 1 - For å justere høyden på håndtaket trykker du justeringsknappene dets **(29)-1** og trekker det opp eller ned. **(29)-2**

Ryggjustering

Ryggstøtten kan lenes til 5 stillinger.

- 1 - For å heve eller senke ryggstøtten trykker du ryggjusteringsknappen og trekker setet opp eller ned. **(30)**

Leggstøtte

Leggstøtten kan brukes i to stillinger.

- 1 - Løft opp for å heve leggstøtten. **(31)**
- 2 - For å senke leggstøtten trykker du justeringsknappene på sidene **(32)-1** og skyver ned. **(32)-2**

Innsats

Innsatsen kan fjernes for å lage et nettingsete som gir bedre ventilasjon i varmt vær.

- 1 - For å fjerne innsatsen løsner du borrelåsen på innsatsen fra baksiden av setet, så trekker du av selen, trer den gjennom seleåpningene og fjerner seteputen. **(33)**

! IKKE fjern ryggstøtterøret.

Omvendt sete

Setet kan brukes vendt bakover eller fremover.

- 1 - Klem seteutløserknappene, og løft opp setet. **(34)**

- 2 - Drei setet i motsatt retning, og sett på setefestene til det klikker på plass. Når du hører et «klikk», betyr det at setet er festet. **(35)**

! Pass på at setet sitter fast ved å trekke det opp.

Brette

Før du bretter setet, skyver du kalesjen bak på barnevognen.

- 1 - Klem ryggjusteringsknappen på baksiden av setet **(36)-1**, og drei ryggstøtten til lagringsstilling. **(36)-2**
- 2 - Trekk opp bretteknappene **(37)-1**, og skyv barnevognen fremover for å brette den. **(37)-2**
- 3 - Lås barnevognen ved å pakke oppbevaringslåsen på oppbevaringsfestet. **(38)**

Tilbehør

Bilseteadaptere

Når du bruker barnevognen med spedbarnsbærer fra Nuna, må du se følgende instruksjoner.

- 1 - For å feste adapterne plasserer du dem videre på setemonteringen som vist. Når du hører et «klikk», betyr det at adapterne er festet. **(39)**
- 2 - For å feste spedbarnsbæreren plasserer du den videre på adapterne som vist **(40)**. Når du hører et «klikk», betyr det at spedbarnsbæreren er låst. **(41)**
- 3 - Vinkelen på spedbarnsbæreren kan justeres med våre justerbare adaptere. **(42)**

- 4 - Fjernspedbarnsbæreren ved å løfte den opp (43)-2 mens du trykker utløserknappene for barnevognen. (43)-1
- 5 - Ta bort adapterne ved å løfte dem opp (44)-2 samtidig som du trekker utløserknappene. (44)-1

Dekke til

Det myke dekket kan gi barnet et varmt og behagelig miljø.

- 1 - Plasser dekket over setet, fest knipsene på dekket, og setet (45)-1, og gjenta på motsatt side.
- 2- Det ferdigmonterte dekket vises som (45).

Regntrekk

Sørg for at kalesjen er helt åpen før du fester regntrekket.

- 1 - Sett sammen regntrekket ved å plassere det over barnevognen. (46)
- ! Sjekk **ALLTID** ventilasjonen når regntrekket er satt på produktet.
- Sørg **ALLTID** for at regntrekket er rent og tørt før du bretter det sammen.
- IKKE** brett barnevognen når regntrekket er satt på.
- IKKE** legg barnet i barnevognen i varmt vær når regntrekket er satt på.

Rengjøring og vedlikehold

Rengjør rammen, plastdelene og stoffet med en fuktig klut, men ikke bruk skuremidler eller blekemiddel. Ikke bruk silikonsmøring, da det vil tiltrekke smuss og skitt. Ikke oppbevar barnevognen på et fuktig sted.

Vognhjulene må regelmessig rengjøres med vann og all smuss fjernes.

For å sikre langvarig bruk bør produktet tørkes med en myk, absorberende klut etter bruk i regnvær.

Se på vedlikeholdsetiketten som er festet på stoffet for instruksjoner for vasking og tørking.

Det er normalt at stoffet misfarges av sollys og viser slitasje etter bruk over lang tid, selv ved normal bruk.

Av sikkerhetshensyn må du kun bruke originalreservedeler fra Nuna.

Kontroller regelmessig at alt fungerer som det skal. Hvis noen del er revnet, ødelagt eller mangler, må du slutte å bruke produktet.

**VIKTIGT!
LÄS IGENOM NOGA
OCH SPARA FÖR
FRAMTIDA BEHOV**

Innehåll

Produktinformation	281
Produktregistrering	
Garanti	
Kontakt	
Barnanvändningskrav	282
Varningar	283
Lista över delar	287
Produktinställning	289
Produktanvändning	291
Tillbehör	295
Bilsätadapter	
Förkläde	
Regnskydd	
Rengöring och underhåll	297

Produktinformation

Modellnummer: _____

Tillverkningsdatum: _____

Produktregistrering

Fyll i ovanstående information. Modellnummer och tillverkningsdatum finns på en etikett längst ned på sittvagnens ram.

För att registrera produkten, besök:

www.nunababy.com

Klicka på länken "Registrera utrustning" på webbplatsen.

Garanti

Vi har avsiktligt designat våra högkvalitativa produkter så att de kan växa med både barnet och familjen. Eftersom vi står för våra produkter täcks vår utrustning av en kundgaranti per produkt med början från inköpsdatumet. Ha inköpsbevis, modellnummer och tillverkningsdatum tillgängligt när du kontaktar oss.

För garantiinformation besök:

www.nunababy.com

Klicka på länken "Garanti" på hemsidan.

Kontakt

För reservdelar, service eller ytterligare garantifrågor, kontakta vår kundtjänstavdelning.

info@nunababy.com

www.nunababy.com

Barnanvändningskrav

Den här sittvagnen är lämplig att använda för barn som uppfyller följande krav:

Nyfödd till 22 kg eller 4 år beroende på vilket som inträffar först.

När barnvagnens ram används med babyliften MIXX eller Nuna-bilbarnstolar gäller barnanvändningskravet som finns i deras bruksanvisningar.

VARNING

Underlåtenhet att följa dessa varningar och instruktioner kan resultera i allvarlig skada eller dödsfall.

Använd alltid bältessystemet.

Kontrollera att fastsättningsanordningarna för insatsen eller sittdelen är korrekt fastsatta innan vagnen tas i bruk.

Låt inte barnet leka med denna produkt.

Se till att alla låsanordningar är spärrade innan du använder vagnen.

Lämna aldrig barnet utan uppsikt.

Denna produkt är inte lämplig för att springa eller åka inlines med.

För att undvika skada, se till att barnet är ur vägen när du faller ut och ihop denna produkt.

Accessoarer som inte är godkända av tillverkaren ska inte användas. Endast utbytesdelar som tillhandahålls eller rekommenderas av tillverkaren/återförsäljaren ska användas.

Måste monteras av vuxen.

Koppla **ALLTID** in bromsen på när du stannar.

Eventuella skador som orsakas av användning av tillbehör som inte levereras av Nuna kommer inte att omfattas av garantin.

All last som fästs på handtaget och/eller ryggstödet baksida och/eller på fordonets sidor påverkar fordonets stabilitet.

Förvissa dig om att sittvagnen har rests helt och spärrats innan du låter ditt barn gå nära den.

Ha **INTE** ytterligare barn, gods och/eller tillbehör i sittvagnen utöver vad som anges som tillåtet i bruksanvisningen. Det kan göra sittvagnen instabil.

Låt **INTE** sittvagnen vara i närheten av en stark värmekälla, dvs. ett element eller öppen låga.

Placera **INTE** något föremål på suffletten.

Förvara **INTE** sittvagnen på en fuktig plats. Tillåt alltid tyget att torka naturligt, bort från direkt värme.

Använd **INTE** förvaringskorgen till att bära barn i.

Använd **INTE** sittvagnen om någon del är skadad eller saknas.

Bilstolar som används tillsammans med chassin ersätter inte en barnsäng eller säng. Om ditt barn behöver sova ska det placeras i en lämplig liggdel, barnsäng eller säng.

Håll smådelar borta från barn eftersom de utgör en kvävningsrisk.

Passera trottoarkanter och ojämn mark försiktigt. Upprepade stötar kan skada sittvagnen.

Låt **ALDRIG** barn stå på sittvagnen.

Ha **ALDRIG** mer än ett barn åt gången i sittvagnen.

Använd **ALDRIG** sittvagnen i trappor eller rulltrappor. Du kan plötsligt förlora kontrollen över sittvagnen och ditt barn kan falla ut.

Selen måste alltid vara korrekt fastsatt och justerad. Selen är inte en ersättning för övervakning av en vuxen.

Parkeringsbromsen ska användas när barn sätts i eller tas ut.

Överbelastning, inkorrekt ihopfällning och användning av tillbehör, t.ex. barnstolar, väskkrokar, regnskydd, åkbrädor, etc... andra än de som är godkända av Nuna, kan skada eller göra denna sittvagn osäker.

Gummidäck kan göra svarta märken på jämna ytor som parkett, laminat eller linoleum.

STRYPNINGSRISK Placera inte föremål som har ett snöre runt ditt barns hals, låt det inte heller hänga snören från den här produkten och inga snören ska fästas på leksaker.

För att undvika alla risker för kvävning så ta bort alla plastskydd innan du använder det här föremålet och förstör det eller håll det på avstånd bebisar och barn!

För att förhindra ett farligt och instabilt skick ska inte mer än 4,5 kg placeras i förvaringskorgen och inte mer än 0,45 kg i förvaringsfickan.

ANVÄND den största lutningspositionen för nyfödda.

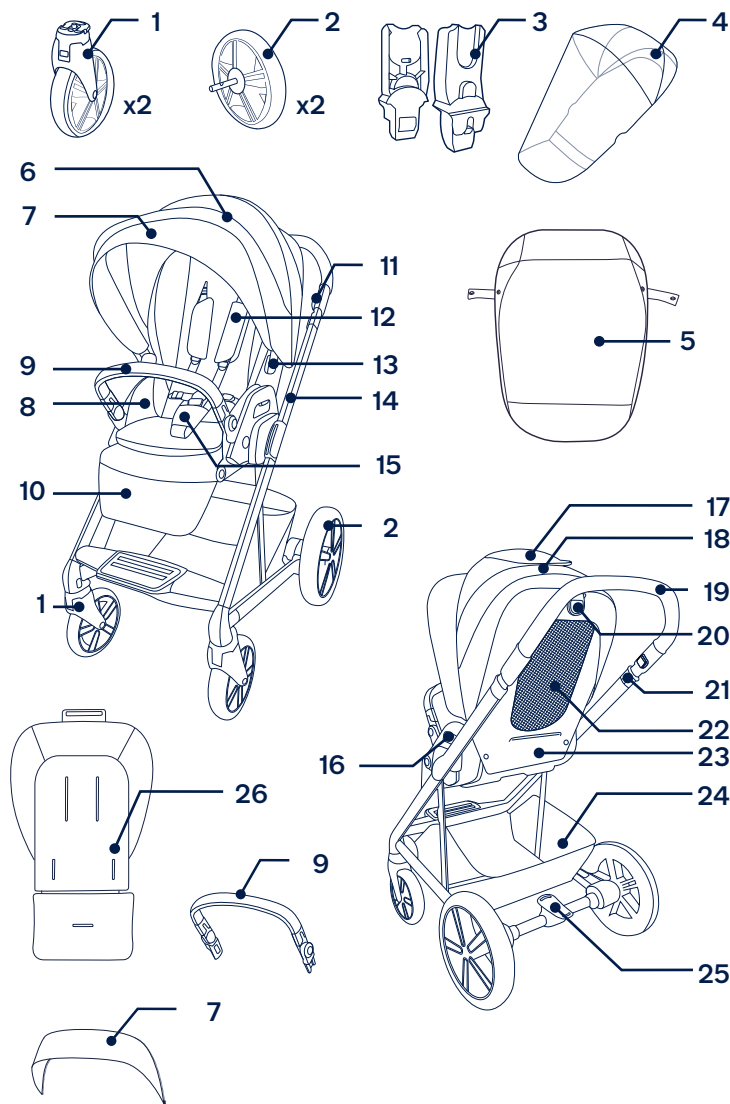
Sittvagnen får inte användas med ett barn som väger mer än 22 kg. Det skadar sittvagnen om barnet inte passar i den.

Lista över delar

Kontrollera att alla delar är tillgängliga före montering.
Om någon del saknas, kontakta återförsäljaren. Inga verktyg behövs för montering.

! STRYPNINGSRISK: Ta bort och kassera omedelbart skyddsändlock från varje hjul och hjulnavets axel.

- | | |
|--------------------------------|--|
| 1 Framhjul (x2) | 15 Spänne och grenskydd |
| 2 Bakhjul (x2) | 16 Frigöringsknapp för sittdel |
| 3 Bilstoladapter | 17 Övre sufflettfönster |
| 4 Regnskydd | 18 Bakre sufflettfönster |
| 5 Förkläde | 19 Sittvagnens handtag |
| 6 Sufflett | 20 Justeringsknapp för tillbakalutning |
| 7 Sufflettfönster | 21 Ihopfällningsknapp |
| 8 Sittdyna | 22 Sätetsventilation |
| 9 Armstöd | 23 Förvaringsficka |
| 10 Benstöd | 24 Förvaringskorg |
| 11 Justeringsknapp för handtag | 25 Bromsspak |
| 12 Axelremmar | 26 Insats |
| 13 Sufflettklämmor | |
| 14 Sittvagnens ram | |



Produktinställning

Öppna sittvagnen

- 1 - Öppna förvaringssparren som det visas (1). Lyft upp handtaget från sidorna och vrid till barnvagnens baksida. Det hörs ett ”klick”-ljud som betyder att barnvagnens ram har öppnats helt och hållet. (2)
 - 2 - Tryck på justeringsknappen för tillbakalutning på sätets baksida och sätt ryggstödet i upprätt position. (3)
- ! Kontrollera att sittvagnen är helt öppen innan du fortsätter.

Sufflett

- 1 - Dra igen sufflettfönstret till sufflettens insida. (4)
- 2 - Sätt i sufflettklämmorna i sufflettfästena på sittvagnens sidor. Ett ”klick” -ljud innebär att suffletten är monterad ordentligt. (5)

Framhjul

- 1 - Sätt i framhjulet i frambenet. Ett ”klick”-ljud innebär att hjulet är monterat ordentligt. (6) Upprepa på motsatt sida.
- ! Kontrollera att hjulet sitter fast ordentligt genom att dra ut det.
- 2 - Framhjulet tas bort genom att trycka på frigöringsknappen (7)-1 och ta bort framhjulet från frambenet. (7)-2

Bakhjul

- 1 - Sätt i bakhjulet i bakbenet. Ett ”klick”-ljud innebär att bakhjulet är monterat ordentligt. Upprepa på motsatt sida. (8)

- ! Kontrollera att hjulen sitter fast ordentligt genom att dra utåt.
- 2 - Bakhjulet tas bort genom att trycka på frigöringsknappen (9)-1 och ta bort bakhjulet från bakbenet. (9)-2

Armstöd

- ! Sätt alltid fast barnet med selen. Armstödet är inte en fasthållningsenhet.
- 1 - Rikta in armstödet ändar med armstödet fästen och sätt i tills det klickar på plats. Ett ”klick”-ljud innebär att armstödet monterats ordentligt. (10)
 - 2 - Ta bort armstödet genom att trycka på armstödet frigöringsknappar (11)-1 och lyfta upp armstödet. (11)-2
 - 3 - För en mer kompakt ihopfällning när sätet är framåtvänt så tryck på justeringsknapparna för armstödet (12)-1 och rotera armstödet nedåt (12)-2 tills den klickar på plats.
- ! Ha **ALDRIG** armstödet i sänkt/ihopfälld position när barnet sitter i sittvagnen.

Den fullständigt monterade sittvagnen visas i (13).

Kontrollera Konfiguration

- Sittvagnens ram är spärrad i öppet läge
- Framhjul och bakhjul sitter fast säkert
- Sufflettfästena är fästa på sittvagnens ram och suffletten är fäst i sittdynan
- Armstödet sitter fast säkert

Produktanvändning

- ! Parkeringsbromsen **MÅSTE** användas när sittvagnen stannas och när barnet sätts i och tas ur.

Spänna fast ditt barn

- ! För att undvika allvarliga skador, från att barnet faller eller glider ur, ska säkerhetsbältet alltid användas. Kontrollera att selen är lämpligt justerad och att det sitter snävt och säkert på ditt barn. Utrymmet mellan barnet och axelselen ska vara ungefär ett finger tjockt. Korsa **INTE** axelremmarna. Det orsakar ett tryck på ditt barns hals.

- 1 - Tryck på mittenknappen på spännet för att släppa spärren, ta bort klämman och sätt ditt barn i sittvagnen. **(14)**
- 2 - Koppla ihop axelspännen och höftspännet. **(15)**
- 3 - Sätt fast axelspännet och höftspännet i spännets spärr och upprepa på motsatt sida. **(16)**
- 4 - Passa in selen snävt mot ditt barn genom att dra i justeringsremmarna för att dra åt **(17)**-1. Dra sedan midjusteringsremmarna utåt **(17)**-2.

Axelbältesposition

- 1 - Det övre axelselespännen kan flyttas uppåt och nedåt för ytterligare justering. **(18)**

Grenband

Ta reda på vilket öppning för grenbandet som innebär en snäv passning. Byt öppning för grenbandet om det behövs.

- 1 - Mindre bebisar använder den här positionen. **(19)**-1
- 2 - Större bebisar använder den här positionen. **(19)**-2

Sufflett

- 1 - Suffletten öppnas genom att suffletten dras mot sätets framdel. Suffletten stängs genom att den trycks tillbaka. **(20)**
- 2 - Positionera sufflettfönstret framåt eller bakåt efter behov. När det inte används så vik sufflettfönstret under suffletten. **(21)**
- 3 - Öppna blixtlåset på suffletten för att få mer skugga och ventilation. **(22)**
- 4 - Vik upp det övre sufflettfönstret för att få ventilation. **(23)**
- 5 - Vik upp det bakre sufflettfönsterskyddet för att få ytterligare ventilation. **(24)**

Främre riktningsslås

På ojämna ytor rekommenderas att det främre riktningsslåset används.

- 1 - Tryck på **(25)**-1 och dra ut det främre riktningsslåset. **(25)**-2 för att låsa framhjulet framåtvänt. Du kan behöva röra på hjulet för att det ska låsa sig.
- 2 - Tryck in det främre riktningsslåset för att låsa upp. **(26)**

Broms

- 1 - Bakhjulen låses genom att du trampar på det röda området på bromsspaken. (27)
- 2 - Bakhjulen låses upp genom att du trampar på det gröna området på bromsspaken. (28)

! Använd alltid bromsen när sittvagnen är stillastående. Skjut aningen på sittvagnen för att säkerställa att bromsen fungerar.

Handtag

Handtaget har 3 lägen.

- 1 - Höjden på handtaget justeras genom trycka på handtagets justeringsknappar (29)-1 och dra handtaget uppåt och nedåt. (29)-2

Lutningsjustering

Det finns 5 lutningspositioner för ryggstödet.

- 1 - Ryggstödet höjs eller sänks genom att trycka på justeringsknappen för tillbakalutning och dra sätet uppåt eller nedåt. (30)

Benstöd

Benstödet har 2 användningslägen.

- 1 - Benstödet höjs när du lyfter upp det. (31)
- 2 - Benstödet sänks genom att trycka på justeringsknapparna på sidorna (32)-1 och trycka nedåt. (32)-2

Insats

Insatsen kan användas för att tillhandahålla en nätklädd sits så att ventilationen blir bättre vid varm väderlek.

- 1 - Ta bort inlägget och ta bort insatsens kardborreband från sätets baksida, spänn loss selen och dra selen genom öppningarna för selen och ta bort sittdynan. (33)
- ! Ta INTE bort ryggstödet's rör.

Omvänt säte

Sätet kan användas bakåt- eller framåtvänt.

- 1 - Tryck på sittdelens frigöringsknappar samtidigt som du lyfter sittdelen. (34)
 - 2 - Vrid sätet i motsatt riktning och placera det på sätesfästena till det klickar på plats. Ett "klick"-ljud innebär att sätet sitter fast. (35)
- ! Kontrollera för att vara säker på att sätet sitter fast ordentligt genom att dra det uppåt.

Ihopfällning

Innan ihopfällning ska suffletten tryckas till sittvagnens baksida.

- 1 - Tryck på justeringsknappen för tillbakalutning på sätets baksida (36)-1 och rotera ryggstödet till förvaringsposition. (36)-2
- 2 - Dra upp ihopfällningsknapparna (37)-1 och tryck sittvagnen framåt för att fälla ihop. (37)-2
- 3 - Lås sittvagnen genom att vika in förvaringsspärren i förvaringsfästet. (38)

Tillbehör

Bilstolsadapter

När sittvagnen används tillsammans med Nuna-bilstol för spädbarn ber vi dig se följande instruktioner.

- 1 - För att fästa adaptrarna placeras adaptrarna på sätets fästen som det visas. Ett "klick"-ljud innebär att adaptrarna är låsta. **(39)**
- 2 - För att fästa bilstolen för spädbarn placeras bilstolen för spädbarn på adaptrarna som det visas **(40)**, Ett "klick"-ljud innebär att bilstolen för spädbarn är låst. **(41)**
- 3 - Vinkeln för bilstolen för spädbarn kan justeras med våra justerbara adaptrar. **(42)**
- 4 - För att ta bort bilstolen för spädbarn ska bilstolen för spädbarn lyftas uppåt **(43)-2** under tiden som sittvagnens frigöringsknappar trycks in. **(43)-1**
- 5 - För att ta bort adaptrarna ska adaptrarna lyftas uppåt **(44)-2** samtidigt som frigöringsknapparna dras in. **(44)-1**

Förkläde

Det mjuka förklädet kan ge ditt barn en varm och bekväm miljö.

- 1 - Placera förklädet över sätet och fäst snäppfästena på förklädet och sätet **(45)-1**, upprepa på motsatt sida.
- 2- Det fastsatta förklädet visas i **(45)**.

Regnskydd

Kontrollera att suffletten är helt öppen innan regnskyddet sätts på.

- 1 - Regnskyddet sätts på plats genom att det placeras över sittvagnen. **(46)**

! Kontrollera **ALLTID** ventilation när regnskyddet används på produkten.

Kontrollera **ALLTID** att regnskyddet har rengjorts och torkats före ihopfällning.

Fäll **INTE** ihop sittvagnen när regnskyddet sitter på.

Placera **INTE** ditt barn i sittvagnen om väderleken är varm och regnskyddet sitter på.

Rengöring och underhåll

Rengör ram, plast- och tygdelar med en fuktig trasa men använd inte slipmedel eller blekmedel. Använd inte silikonsmörjmedel eftersom de kan dra åt sig smuts och fett. Förvara inte din sittvagn i ett fuktigt utrymme.

Rengör sittvagnens hjul regelbundet med vatten och ta bort smuts.

För att säkerställa långvarig användning så torka av produkten med en mjuk absorberande trasa efter användning i regnigt väder.

Se skötseletiketten på tyget för information om tvätt och torkning.

Det är normalt att tyget färgas av solljus och visar slitage efter lång tids användning, även vid normal användning.

Av säkerhetsskäl, använd endast Nuna-delar.

Kontrollera regelbundet att allt fungerar korrekt. Om någon del är sliten, trasig eller saknas, sluta att använda produkten.

**TÄRKEÄÄ!
LUE HUOLELLISESTI
JA SÄILYÄ TULEVAA
KÄYTTÖÄ VARTEN**

Sisältö

Tuotetiedot	301
Tuotteen rekisteröinti	
Takuu	
Yhteystiedot	
Lapsen käyttövaatimukset	302
Varoitukset	303
Osaluettelo	307
Tuotteen asetus	309
Tuotteen käyttö	312
Lisävarusteet	315
Auton istuinsovitin	
Suojus	
Sateensuoja	
Puhdistus ja kunnossapito	317



Tuotetiedot

Mallinumero: _____

Valmistuspäivämäärä: _____

Tuotteen rekisteröinti

Anna seuraavat tiedot. Mallinumero ja valmistuspäivämäärä näkyvät tarrassa lastenvaunujen kehyksen pohjassa.

Rekisteröidäksesi tuotteesi, siirry osoitteeseen:

www.nunababy.com

Napsauta kotisivulla "Rekisteröi laite"-linkkiä.

Takuu

Olemme tarkoituksellisesti suunnitelleet korkealaatuiset tuotteemme niin, että ne voivat kasvaa sekä lapsesi että perheesi kanssa. Koska luotamme tuotteeseemme, laitteellamme on tuotekohtainen mukautettu takuu, joka alkaa tuotteen ostopäivästä. Pidä ostosite, mallinumero ja valmistuspäivämäärää käsillä, kun otat meihin yhteyttä.

Katso takuutiedot osoitteesta:

www.nunababy.com

Napsauta kotisivulla "Takuu"-linkkiä.

Yhteystiedot

Ota yhteyttä vaihto-osiin, huoltoon ja lisätakuuseen liittyvissä kysymyksissä asiakaspalveluosastoomme.

info@nunababy.com

www.nunababy.com

Lapsen käyttövaatimukset

Nämä lastenvaunut soveltuvat käytettäväksi lapsille, jotka täyttävät seuraavat vaatimukset:

Vastasyntyneestä 22 kg:an tai 4 vuotiaaksi, kumpi vain toteutuu ensin.

Kun käytät lastenvaunujen runkoa MIXX -kantokopan tai Nuna-lasten kantohihnojen kanssa, katso lisätietoja kyseisten tuotteiden käyttöoppaista.



VAROITUS

Näiden varoitusten ja ohjeiden huomiotta jättäminen voi johtaa vakavaan vammaan tai kuolemaan.

Käytä aina turvavaljaita.

Tarkasta ennen käyttöä, että vaunukopan, ratasistuimen tai turvaistuimen kiinnityslaitteet on aktivoitu oikein.

Älä anna lapsen leikkiä tällä tuotteella.

Tarkasta ennen käyttöä, että kaikki lukituslaitteet on lukittu.

Älä koskaan jätä lasta ilman valvontaa.

Tämä tuote ei sovellu työnnettäväksi juosten tai rullaluistellen.

Pidä lapsi poissa tuotteen luota, kun tuote taitetaan kasaan tai laitetaan käyttökuntoon, jotta lapsi ei loukkaannu.

Lisävarusteita, jotka eivät ole valmisajan hyväksymiä, ei tule käyttää. Ainoastaan valmistajan/jakelijan toimittamia tai suosittelemia vaihto-osia saa käyttää.

Kokoamiseen tarvitaan aikuista.

Käytä **AINA** seisontajarrua, kun pysähdyt.

Takuuehdot eivät kata mitään vahinkoja, jotka ovat aiheutuneet muista kuin Nunan toimittamien lisävarusteiden käytöstä.

Mikä tahansa kahvaan ja/tai välineen selkänöjan taakse ja/tai sivuille kiinnitetty kuorma vaikuttaa välineen vakauteen.

Varmista, että lastenvaunut on kokonaan pystytetty ja lukittu kiinni ennen kuin päästät lapsen lähelle lastenvaunuja.

ÄLÄ kuljeta muita lapsia tai muita kuin tässä käyttöoppaassa sallittuja tavaroita tai varusteita lastenvaunuissa tai sen päällä. Ne voivat tehdä lastenvaunuista epävakaan.

ÄLÄ jätä lastenvaunuja alttiiksi voimakkailla lämmönlähteille, kuten lämmittimien tai avotulen lähelle.

ÄLÄ aseta mitään esineitä kuomun päälle.

ÄLÄ säilytä tuotetta kosteassa paikassa. Anna kankaan kuivua aina haihtumalla poissa suorasta kuumuudesta.

ÄLÄ käytä säilytyskoria lapsen kantokoppana.

ÄLÄ käytä lastenvaunuja, jos mikään osa on vahingoittunut tai puuttuu.

Auton istuimilla yhdessä alustan kanssa käytettynä tämä väline ei korvaa lastensänkyä tai vuodetta. Jos lapsen on nukuttava, laske väline sopivaan lastensänkyyn tai vuoteeseen.

Pidä pienet osat lasten ulottumattomissa, ne muodostavat tukehtumisvaaran.

Kierrä reunakiveykset ja karkea maaperä. Jatkuvat iskut voivat vahingoittaa lastenvaunuja.

ÄLÄ KOSKAAN anna lapsen seisoa lastenvaunuissa.

ÄLÄ KOSKAAN kuljeta useampaa kuin yhtä lasta kerrallaan näissä lastenvaunuissa,

ÄLÄ KOSKAAN käytä lastenvaunuja portaissa tai liukuportaissa. Voit vahingossa menettää lastenvaunujen hallinnan ja lapsi voi pudota ulos.

Valjaiden tulee olla aina oikein kiinnitetty ja säädetty. Valjaat eivät ole aikuisen huolellisen valvonnan korvike.

Seisontajarru on lukittava, kun lasta asetetaan tai poistetaan.

Ylikuorma, väärä taittaminen ja muiden kuin Nunan hyväksymien lisävarusteiden, kuten lapsenistuinten, pakettikoukkujen, sateensuojien, seisomalautojen käyttö voi vahingoittaa lastenvaunuja tai tehdä niiden käytöstä epäturvallista.

Kumirenkaat jättävä mustia jälkiä tasaisille pinnoille, kuten parketille, laminaatille ja linoleumille.

KURISTUMISVAARA Älä aseta langallisia esineitä lapsen kaulan ympärille. Ripusta langat tästä tuotteesta tai kiinnitä langat leluihin.

Vältäaksesi mahdollisen tukehtumisvaaran, poista kaikki muovisuojukset ennen tämän tuotteen käyttöä ja hävitä ne tai pidä ne vauvojen ja lasten ulottumattomissa!

Estääksesi vaarallisen, epävakaan tilan, älä aseta yli 4,5 kg:n painoa säilytyskoriin ja yli 0,45 kg:n painoa säilytystaskuun

KÄYTÄ vastasyntyneillä vauvoilla kaikkein kallistetuinta asentoa.

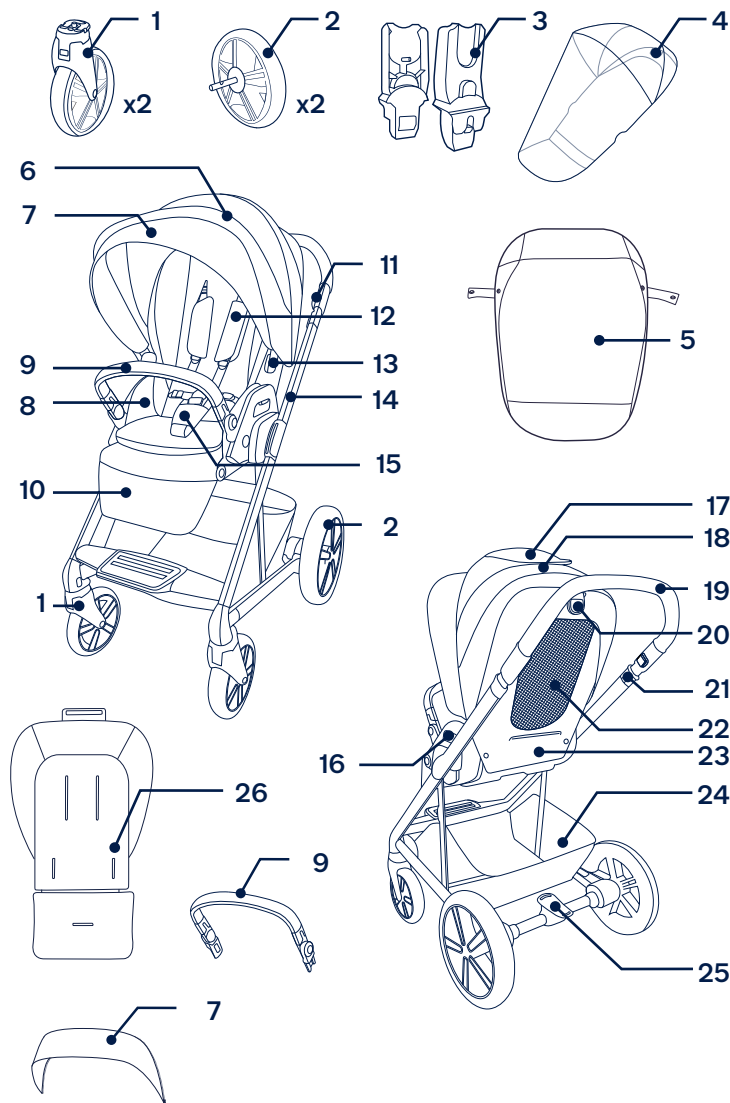
Käytä lastenvaunuja korkeintaan 22 kg painavalla lapsella. Jos lapsi on tätä painavampi, lastenvaunut vahingoittuvat.

Osaluettelo

Varmista ennen kokoamista, että kaikki osat ovat käytettävissä. Jos jokin osa puuttuu, ota yhteyttä paikalliseen jälleenmyyjään. Kokoamiseen ei tarvita työkaluja.

! TUKEHTUMISVAARA: Poista ja hävitä välittömästi suojuksen jokaisesta renkaasta ja pyörän keskiön akselista.

- | | |
|-------------------------------|------------------------------|
| 1 Etupyörä (x2) | 14 Lastenvaunujen runko |
| 2 Takapyörä (x2) | 15 Solki ja haarapeite |
| 3 Auton istuinsovitin | 16 Istuimen vapautuspainike |
| 4 Sateensuoja | 17 Kuomun yläikkuna |
| 5 Suojus | 18 Kuomun takaikkuna |
| 6 Kuomu | 19 Lastenvaunujen kahva |
| 7 Kuomun visiiri | 20 Kallistuksen säätöpainike |
| 8 Istuintyyny | 21 Taittopainike |
| 9 Käsituki | 22 Istuimen tuuletus |
| 10 Pohjetuki | 23 Säilytystasku |
| 11 Kahvan säätöpainike | 24 Säilytyskori |
| 12 Hartiavaljaiden pehmusteet | 25 Jarruvipu |
| 13 Kuomun kiinnikkeet | 26 Lisäosa |



Tuotteen asetus

Lastenvaunujen avaaminen

- 1 - Avaa säilytysalpa, kuten kuvassa (1). Nosta ylös kahvasta molemmilta puolilta ja kierrä lastenvaunujen taakse. ”Napsahdus” tarkoittaa, että lastenvaunujen runko on koottu. (2)
 - 2 - Purista kallistuksensäätöpainiketta istuimen takana ja kierrä selkänöjä pystyasentoon. (3)
- ! Varmista, että lastenvaunut ovat kokonaan auki ennen kuin jatkat.

Kuomu

- 1 - Kiinnitä kuomun visiiri vetoketjulla kuomun sisään. (4)
- 2 - Liitä kuomun kiinnikkeet kuomun kiinnityskohtiin lastenvaunujen sivuilla. ”Naksahtava” ääni tarkoittaa, että kuomu on täysin koottu. (5)

Etupyörät

- 1 - Liitä etupyörä etujalkaan. ”Naksahtava” ääni tarkoittaa, että pyörä on täysin koottu. (6) Toista sama vastakkaisella puolella.
- ! Varmista ulospäin vetämällä, että pyörä on kiinnitetty pitävästi.
- 2 - Irrottaaksesi etupyörän, paina vapautuspainiketta (7)-1 ja irrota etupyörä etujalasta. (7)-2

Takapyörät

- 1 - Liitä takapyörä takajalkaan. ”Naksahtava” ääni tarkoittaa, että takapyörä on täysin koottu. Toista sama vastakkaisella puolella. (8)

! Varmista ulospäin vetämällä, että pyörät on kiinnitetty pitävästi.

- 2 - Irrottaaksesi takapyörän, paina vapautuspainiketta (9)-1 ja irrota takapyörä takajalasta. (9)-2

Käsituki

- ! Kiinnitä lapsi aina valjailla. Käsituki ei ole turvalaite.
- 1 - Kohdista käsituen päät käsituen kiinnikkeisiin ja liitä se niin, että se naksahda paikalleen. ”Naksahtava” ääni tarkoittaa, että käsituki on täysin koottu. (10)
 - 2 - Poistaaksesi käsituen, paina käsituen vapautuspainikkeita (11)-1 ja nosta käsituki ylös. (11)-2
 - 3 - Pienempään kokoon taittamiseksi, kun istuin on taaksepäin suunnattu, paina käsituen säätöpainikkeita (12)-1 ja kierrä käsituki alas (12)-2 niin, että se naksahda paikalleen.
- ! **ÄLÄ KOSKAAN** käytä käsitukea lasketussa/taitetussa asennossa, kun lapsi on lastenvaunuissa.

Kokonaan kootut lastenvaunut näkyvät kuvassa (13).

TarkistaAsennus

- Lastenvaunujen runko on lukittu auki
- Etu- ja takapyörät on kiinnitetty pitävästi.
- Kuomun kiinnike kiinnitetty lastenvaunujen runkoon ja kuomu kiinnitetty istuintyyntyyn
- Käsituki on kiinnitetty pitävästi

Tuotteen käyttö

- ! Seisontajarrun ON oltava lukittu, kun lastenvaunut on pysäytetty, ja kun lapsi asetetaan vaunuihin ja poistetaan niistä.

Lapsen kiinnittäminen

- ! Välttääksesi putoamisesta tai ulos liukumisesta aiheutuvan vakavan vamman, käytä aina turvavyötä. Varmista, että valjaat on säädetty oikein, ja että lapsi on kiinnitetty tiukasti. Tilan lapsen ja hartiavaljaiden hihnojen välillä on oltava noin sormen paksuinen. **ÄLÄ** vie hartiaavöitä ristiin. Tämä kohdistaa painetta lapsen niskaan.
- 1 - Paina soljen keskipainiketta vapauttaaksesi soljen salvan, irrota kiinnikkeet ja aseta lapsi lastenvaunuihin. **(14)**
 - 2 - Liitä hartia- ja lannesolki. **(15)**
 - 3 - Kiinnitä hartia- ja lannesolki soljen salpaan ja toista sama vastakkaisella puolella. **(16)**
 - 4 - Kiinnitä valjaat tiiviisti lapsen ympärille vetämällä säätöhihnoja kiristääkseen **(17)-1**. Vedä sitten vyötärön säätöhihnat ulos **(17)-2**.

Hartiavaljaiden sijainti

- 1 - Ylempiä hartiavaljaiden solkia voi siirtää ylös ja alas lisäsäädön tekemiseksi. **(18)**

Haaravyö

Paikannahaaravyön paikka, joka tarjoaa tiiviin kiinnityksen. Vaihda haaravyön paikkaa, jos on tarpeen.

- 1 - Tämä sijainti on tarkoitettu pienemmille lapsille. **(19)-1**
- 2 - Tämä sijainti on tarkoitettu suuremmille lapsille. **(19)-2**

Kuomu

- 1 - Avataksesi kuomun, vedä kuomua istuimen etuosaa kohti. Sulkeaksesi kuomun, työnnä se takaisin. **(20)**
- 2 - Sijoita kuomun visiiri eteenpäin tai taaksepäin tarpeen mukaan. Kun visiiriä ei käytetä, taita se kuomun alle. **(21)**
- 3 - Avaa kuomun vetoketju saadaksesi lisää varjoa ja tuuletusta. **(22)**
- 4 - Käännä kuomun yläikkunan kansi ylös lisätuuletuksen saamiseksi. **(23)**
- 5 - Käännä kuomun takaikkunan kansi ylös lisätuuletuksen saamiseksi. **(24)**

Etupyörien kääntöluokat

Epätasaisilla pinnoilla on suositeltavaa käyttää etupyörien kääntöluokkoja.

- 1 - Purista **(25)-1** ja vedä ulos etukääntöluokko **(25)-2** lukitaksesi etupyörän menosuuntaan. Pyörää on ehkä siirrettävä sen saamiseksi lukkoon.
- 2 - Työnnä etukääntöluokko sisään avataksesi lukituksen. **(26)**

Jarrut

- 1 - Lukitaksesi takapyörät, paina jalalla jarruvivun punaista aluetta. (27)
 - 2 - Avataksesi takapyörien lukituksen, paina jalalla jarruvivun vihreää aluetta. (28)
- ! Käytä aina jarrua, kun lastenvaunut ovat pysähdyksissä. Työnnä lastenvaunuja hieman varmistaaksesi, että jarrut on lukittu.

Kahva

Kahvalla on 3 asentoa.

- 1 - Sääätäksesi kahvan korkeutta, paina kahvan säätöpainikkeita (29)-1 ja vedä kahva ylös tai alas. (29)-2

Kallistuksen säätö

Selkänöjällä on 5 kallistusasentoa.

- 1 - Nostaaksesi tai laskeaksesi selkänöjaa, purista kallistuksen säätöpainiketta ja vedä istuinta ylös tai alas. (30)

Pohjetuki

Pohjetuella on 2 käyttöasentoa.

- 1 - Nostaaksesi pohjetukea, nosta ylös. (31)
- 2 - Laskeaksesi pohjetukea, paina sivuilla olevia säätöpainikkeita (32)-1 ja paina alas. (32)-2

Lisäosa

Lisäosan voi irrottaa verkkoistuinalueen tarjoamiseksi parempaa ilmanvaihtoa varten kuumalla säällä.

- 1 - Irrottaaksesi lisäosan, irrota lisäosan tarra istuimen takana, avaa valjaiden solki, pujota valjaat valjaiden aukkojen läpi ja poista istuintyynty. (33)
- ! ÄLÄ irrota selkätukiputkea.

Käännettävä istuin

Istuinta voi käyttää kasvot menosuuntaan tai taaksepäin suunnattuna.

- 1 - Purista istuimen vapautuspainikkeita ja nosta istuin ylös. (34)
 - 2 - Käännä istuin vastakkaiseen suuntaan ja aseta istuinkiinnikkeet päälle niin, että ne naksahtavat paikoilleen. "Naksahtava" ääni tarkoittaa, että istuin on kiinnitetty. (35)
- ! Varmista, että istuin on kiinnitetty pitävästi vetämällä sitä ylöspäin.

Taittelu

Työnnä kuomu lastenvaunujen takaosaan ennen taittamista.

- 1 - Purista kallistuksensäätöpainiketta istuimen takana (36)-1 ja kierrä selkänöja säilytysasentoon. (36)-2
- 2 - Vedä ylös taittopainikkeista (37)-1 ja työnnä lastenvaunuja kohti taitoskohtaa. (37)-2
- 3 - Lukitse lastenvaunut työntämällä säilytysalpasäilytyskiinnikkeeseen. (38)

Lisävarusteet

Auton istuinsovittimet

Kun käytät lastenvaunuja Nuna-vauvan kantoistuimen kanssa, katso seuraavat ohjeet.

- 1 - Kiinnittääksesi sovittimet, aseta sovittimet istuimen kiinnikkeisiin, kuten kuvassa. **“Naksahdus”** ääni tarkoittaa, että sovittimet on lukittu. **(39)**
- 2 - Kiinnittääksesi vauvankantoistuimen, aseta vauvan kantoistuin sovittimiin, kuten kuvassa **(40)**, **“naksahdus”** tarkoittaa, että ylimääräisen tilan poistaminen vauvankantoistuimesta on lukittu. **(41)**
- 3 - Vauvan kantoistuimen kulmaa voi säätää säädettävillä sovittimillamme. **(42)**
- 4 - Poistaaksesi vauvan turvaistuimen, nosta vauvan turvaistuin ylös **(43)-2** samalla kun painat lastenvaunujen vapautuspainikkeita. **(43)-1**
- 5 - Poistaaksesi sovittimet, nosta sovittimet ylös **(44)-2** samalla, kun poistat ylimääräisen tilan vetämällä vapautuspainikkeita. **(44)-1**

Suojus

Pehmeä kuomu tarjoaa lapsellesi lämpimän ja mukavan ympäristön.

- 1 - Aseta kuomu istuimen päälle, kiinnitä kuomun ja istuimen nepparit **(45)-1**, toista sama vastakkaisella puolella.
- 2- Koottu kuomu näkyy kuvassa **(45)**.

Sateensuoja

Tarkista, että kuomu on kokonaan auki ennen kiinnittämistä sateensuojaan.

- 1 - Sateensuojan kokoamiseksi, aseta se lastenvaunujen päälle. **(46)**
- ! Tarkista tuuletus **AINA**, kun sateensuoja on tuotteen päällä.

Tarkista **AINA**, että sateensuoja on puhdas ja kuiva ennen sen taittamista.

ÄLÄ taita lastenvaunuja, kun sateensuoja on kiinnitetty.

ÄLÄ aseta lasta lastenvaunuihin kuumalla säällä, kun sateensuoja on kiinnitetty.

E Puhdistus ja kunnossapito

Puhdista kehikko, muovioista ja kangas kostealla liinalla, mutta älä käytä hiovia aineita tai valkaisuainetta. Älä käytä silikonivoiteluaineita, sillä niihin tarttuu likaa ja nokea. Älä säilytä lastenvaunuja kosteassa paikassa.

Puhdista lastenvaunujen pyörät säännöllisesti vedellä ja poista kaikki lika.

Varmistaaksesi tuotteen pitkän käyttöiän, pyyhi se pehmeällä, imukykyisellä liinalla sateessa käytön jälkeen.

Katso kankaaseen kiinnitetystä hoitotarrasta pesu- ja kuivausohjeet.

Kankaan haalistuminen auringonvalon vaikutuksesta ja kulumisen merkit pitkän käytön jälkeen on normaalia, vaikka tuotetta käytettäisiin normaalisti.

Käytä turvallisuussyistä ainoastaan alkuperäisiä Nuna-osia.

Tarkista säännöllisesti, että kaikki toimii oikein. Lopeta tämän tuotteen käyttö, jos mikään osa on revennyt, rikkoutunut tai puuttuu.

NUNA International B.V. Nuna ja kaikki siihen liittyvät logot ovat tavaramerkkejä.

**IMPORTANT!
CITIȚI CU ATENȚIE
ȘI PĂȘTRAȚI PENTRU
CONSULTARE
ULTERIOARĂ**

Cuprins

Informații referitoare la produs	321
Înregistrarea produsului	
Garanție	
Contact	
Cerințe de utilizare pentru copii	322
Avertizare	323
Lista componentelor	327
Configurarea produsului	329
Utilizarea produsului	332
Accesorii	336
Adaptor scaun auto	
Șorț	
Husă de ploaie	
Curățarea și întreținerea	338

Informații referitoare la produs

Numărul modelului: _____

Data fabricării: _____

Înregistrarea produsului

Vă rugăm completați informațiile de mai sus. Numărul modelului și data fabricării sunt menționate pe o etichetă din partea de jos a căruciorului.

Pentru a vă înregistra produsul, accesați:

www.nunababy.com

Faceți clic pe linkul „Înregistrare dispozitiv” de pe pagina principală.

Garanție

Produsele noastre de înaltă calitate au fost concepute pentru a putea crește împreună cu copilul și cu familia dvs. Pentru că avem încredere în produsele noastre, fiecare dintre acestea este acoperită de o garanție specifică, începând din ziua achiziției. Vă rugăm să vă asigurați că aveți la îndemână dovada de achiziție, numărul modelului și data fabricării atunci când ne contactați.

Pentru informații referitoare la garanție, vă rugăm să vizitați:

www.nunababy.com

Faceți clic pe linkul „Garanție” de pe pagina principală.

Contact

Pentru piese de schimb, intervenții de service sau întrebări suplimentare referitoare la garanție, vă rugăm să contactați departamentul nostru de asistență tehnică.

info@nunababy.com

www.nunababy.com

Cerințe de utilizare pentru copii

Produsul este adecvat pentru utilizarea în cazul copiilor care îndeplinesc următoarele cerințe:

De la naștere până la 22 kg sau 4 ani, respectiv situația care intervine prima.

Când utilizați cadrul de cărucior cu landoul MIXX sau cu cărucioarele de bebeluși Nuna, consultați cerințele pentru utilizarea pentru copii din manualele de instrucțiuni corespunzătoare.

⚠️ AVERTISMENT

Nerespectarea acestor avertismente și instrucțiuni poate cauza vătămări corporale grave sau moartea.

Utilizați întotdeauna sistemul de prindere.

Înainte de utilizare verificați dacă dispozitivele de fixare de la landou, scaunul căruciorului sau scaunul auto sunt cuplate în mod corespunzător.

Nu lăsați copilul să se joace cu acest produs.

Asigurați-vă că toate dispozitivele de blocare sunt închise înainte de a utiliza produsul.

Nu lăsați niciodată copilul nesupraveheat.

Acest produs nu este recomandat a fi utilizat în timp ce alergați sau vă plimbați pe role.

Pentru a evita rănirea copilului, asigurați-vă că acesta este la distanță atunci când pliați și depliați acest produs.

Nu se vor folosi accesorii care nu sunt aprobate de producător. Trebuie utilizate doar piese de schimb furnizate sau recomandate de către producător/distribuitor.

Asamblarea trebuie efectuată de un adult.

ÎNTOTDEAUNA acționați dispozitivul de parcare când vă opriți.

Orice pagubă cauzată de utilizarea accesoriilor care nu sunt furnizate de Nuna nu va fi acoperită de garanție.

Orice sarcină atașată pe mâner și/sau pe partea din spate a spătarului și/sau pe părțile laterale ale vehiculului afectează stabilitatea acestuia.

Asigurați-vă că este complet ridicat și închis căruciorul înainte de a permite copilului dvs. să se apropie de cărucior.

NU purtați mai mulți copii, bunuri, accesorii în sau pe cărucior, cu excepția celor permise în aceste instrucțiuni. Acest lucru poate destabiliza căruciorul.

NU lăsați căruciorul expus în vecinătatea unei surse puternice de căldură, cum ar fi un calorifer sau o flacără deschisă.

NU puneți obiecte pe baldachin.

NU depozitați căruciorul într-un loc umed. Lăsați materialului să se usuce în mod natural, departe de căldura directă.

NU folosiți coșul de depozitare pentru a purta copiii.

NU folosiți căruciorul dacă există componente rupte sau lipsă.

În cazul scaunelor auto utilizate împreună cu un cadru, acest vehicul nu înlocuiește pătuțurile pentru copii. În cazul în care copilul trebuie să doarmă, puneți copilul într-un cărucior, pătuț pliant sau pat adecvat.

Țineți componentele mici departe de copii, deoarece reprezintă un risc de înecare.

Înainteți cu atenție pe borduri și terenul accidentat. Impactul repetat poate provoca deteriorarea căruciorului.

NICIODATĂ NU permiteți copilului să stea în picioare în cărucior.

Nu purtați **NICIODATĂ** mai mult de un copil în cărucior.

NU folosiți căruciorul pe scări sau scări rulante. Puteți pierde brusc controlul căruciorului sau copilul dvs. poate cădea.

Hamul trebuie să fie întotdeauna montat și reglat corect. Hamul nu este un substitut pentru o supraveghere adecvată.

Dispozitivul de parcare trebuie cuplat atunci când așezați sau ridicați copilul.

Supraîncărcarea, plierea incorectă și utilizarea accesoriilor, de exemplu, scaune pentru copii, cârlige pentru sacoșe, pelerine de ploaie etc. altele decât cele aprobate de Nuna poate duce la deteriorarea căruciorului sau îl pot face instabil.

Anvelopele din cauciuc pot lăsa urme negre pe suprafețe netede, cum ar fi parchetul, suprafețele laminate și linoleumul.

PERICOL DE STRANGULARE Nu plasați obiecte cu corzi în jurul gâtului copilului, nu agățați corzi de acest produs și nu atașați șnururi la jucării.

Pentru a evita riscul de sufocare, îndepărtați toate ambalajele de plastic înainte de a utiliza acest produs și aruncați-le sau țineți-le departe de bebeluși și copii!

Pentru a preveni orice pericole sau instabilitatea căruciorului, nu așezați mai mult de 4,5 kg în coșul de depozitare și mai mult de 0,45 kg în buzunarul de depozitare.

UTILIZAȚI poziția cea mai înclinată pentru nou-născuți.

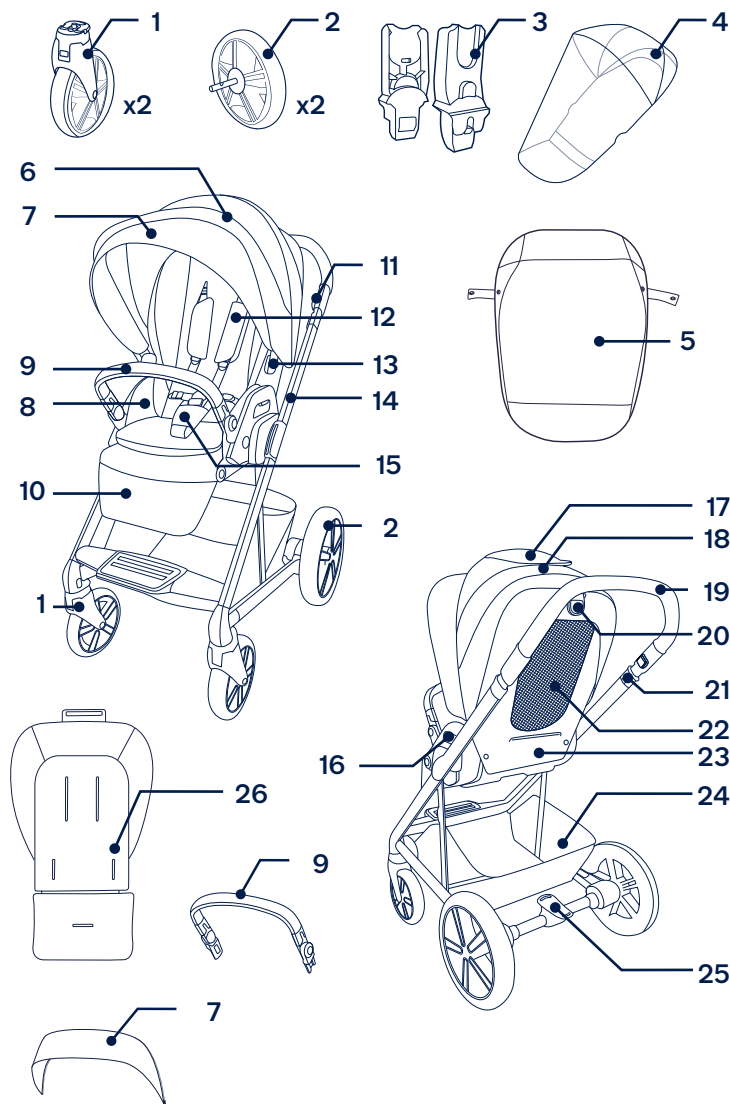
Utilizați căruciorul pentru copii cu o greutate de până la 22 kg. Căruciorul va fi deteriorat dacă îl utilizați pentru un copil cu o greutate nepotrivită.

Lista componentelor

Înainte de montare, asigurați-vă că aveți toate componentele. Dacă lipsește o componentă, vă rugăm să contactați distribuitorul local. Montajul nu necesită niciun fel de scule.

! PERICOL DE SUFOCARE: Îndepărtați și aruncați imediat capacele de protecție de pe fiecare roată și de pe butucul roții.

- | | |
|---------------------------------|---|
| 1 Roată față (x2) | 15 Acoperire cu cataramă |
| 2 Roată spate (x2) | 16 Buton de eliberare pentru scaun |
| 3 Adaptor scaun auto | 17 Partea de sus a ferestrei baldachinului |
| 4 Husă de ploaie | 18 Partea din spate a ferestrei baldachinului |
| 5 Șorț | 19 Mâner cărucior |
| 6 Baldachin | 20 Mâner de reglare înclinare |
| 7 Vizor pentru baldachin | 21 Buton pliere |
| 8 Perna pentru scaun | 22 Ventilare pentru scaun |
| 9 Bară pentru braț | 23 Buzunar de depozitare |
| 10 Suportul pentru gambe | 24 Coș de depozitare |
| 11 Buton de reglare a mânerului | 25 Manetă de frână |
| 12 Perne pentru hamul de umăr | 26 Inserție |
| 13 Cleme pentru baldachin | |
| 14 Cadru cărucior | |



Configurarea produsului

RO

Pentru a deschide căruciorul

- 1 - Deschideți zăvorul de stocare așa cum se arată **(1)**. Ridicați de mâner, din părțile laterale, și rotiți mutând centrul de greutate către partea din spate a căruciorului. Când auziți un „clic”, cadrul de cărucior este complet deschis. **(2)**
 - 2 - Strângeți butonul de reglare a înclinării de pe spătarul scaunului și rotiți spătarul în poziția verticală. **(3)**
- ! Verificați dacă este deschis complet căruciorul înainte de a continua.

Baldachinul

- 1 - Conectați viziera de baldachin de interiorul baldachinului, cu ajutorul fermoarului. **(4)**
- 2 - Introduceți clemele de baldachin în suporturile de pe părțile laterale ale căruciorului. Un sunet „clic” înseamnă că baldachinul este asamblat complet. **(5)**

Roțile din față

- 1 - Introduceți roata din față în piciorul din față. Un sunet „clic” înseamnă că roata este asamblată complet. **(6)** Repetați procesul pe partea cealaltă.
- ! Verificați dacă roata este fixată în siguranță, trăgând de aceasta.
- 2 - Pentru a scoate roata din față, apăsați butonul de eliberare **(7)-1** și detașați roata din față de piciorul din față. **(7)-2**

Roțile din spate

- 1 - Introduceți roata din spate în piciorul din spate. Un sunet „clic” înseamnă că roata din spate este asamblată complet. Repetați procesul pe partea cealaltă. **(8)**
- ! Verificați dacă roțile sunt fixate în siguranță, trăgând de acestea.
- 2 - Pentru a scoate roata din spate, apăsați butonul de eliberare **(9)-1** și detașați roata din spate de piciorul din spate. **(9)-2**

Bară pentru braț

- ! Fixați întotdeauna copilul cu hamul. Bara nu este un dispozitiv de reținere.
- 1 - Aliniați capetele barei cu suporturile barei și introduceți până când se fixează cu un sunet „clic”. Un sunet „clic” înseamnă că bara este asamblată complet. **(10)**
 - 2 - Pentru a scoate bara, apăsați butoanele de eliberare a barei **(11)-1** și ridicați bara în sus. **(11)-2**
 - 3 - Pentru o pliere mai compactă când scaunul este orientat spre spate, apăsați butoanele de reglare a barei **(12)-1** și rotiți bara în jos **(12)-2** până când se fixează cu un sunet „clic”.
- ! **NICIODATĂ** nu folosiți bara în poziție coborâtă/pliată când copilul este în cărucior.
- Căruciorul asamblat complet este indicat ca **(13)**.

RO

Consultați Configurare

- Cadrul căruciorului este deschis
- Roți din față, roți din spate fixate în siguranță
- Suportul pentru baldachin este atașat la rama căruciorului și baldachinul este atașat pe placa scaunului
- Bara este fixată în siguranță

Utilizarea produsului

- ! Dispozitivul de parcare **TREBUIE SĂ** fie acționat atunci când căruciorul este oprit și când așezați și scoateți copilul.

Fixarea copilului

- ! Pentru a evita accidentările grave cauzate de căderi sau alunecări din cărucior, folosiți întotdeauna centura de siguranță.
Asigurați-vă că hamul este reglat și fixat corespunzător pe copil. Spațiul dintre copil și hamul de umăr trebuie să fie de aproximativ un deget. **NU** încrucișați curelele de umăr. Aceasta va cauza presiune asupra gâtului copilului.
- 1** - Apăsați butonul central de pe cataramă pentru a elibera zăvorul, scoateți clemele și așezați copilul în cărucior. **(14)**
- 2** - Conectați catarama de umăr și catarama de șold. **(15)**
- 3** - Fixați catarama de umăr și catarama de șold și repetați pe partea opusă. **(16)**
- 4** - Fixați ferm hamul pentru copilul dvs. trăgând curelele de reglare pentru a strânge **(17)**-1. Apoi trageți curelele de reglare de la nivelul taliei **(17)**-2.

Poziția hamului de umăr

- 1** - Catarama superioară a hamului poate fi deplasată în sus și în jos pentru reglare suplimentară. **(18)**

Centura pentru picioare

Identificați fanta pentru cureaua de picioare care se va potrivi perfect. Schimbați fanta pentru curea, dacă este necesar.

- 1 - Această poziție este adecvată pentru copiii mai mici. (19)-1
- 2 - Această poziție este adecvată pentru copiii mai mari. (19)-2

Baldachinul

- 1 - Pentru a deschide baldachinul, trageți de acesta spre partea din față a scaunului. Pentru a închide baldachinul, împingeți-l înapoi. (20)
- 2 - Poziționați viziera baldachinului înaintea sau înapoi, după cum este necesar. Când baldachinul nu este folosit, pliați viziera sub acesta. (21)
- 3 - Deschideți fermoarul de pe baldachin pentru umbră și ventilație suplimentară. (22)
- 4 - Pentru ventilație, întoarceți capacul superior al ferestrei baldachinului. (23)
- 5 - Pentru o ventilație suplimentară, întoarceți capacul din spate al ferestrei baldachinului. (24)

Blocări pivotare față

Se recomandă să utilizați dispozitivele de blocare a pivotării de pe roțile din față pe suprafețele denivelate.

- 1 - Strângeți (25)-1 și scoateți blocarea rotativă frontală (25)-2 pentru a bloca roata din față orientată înaintea. Este posibil să fie nevoie să mișcați roata pentru a o bloca.
- 2 - Apăsați blocarea pivotantă din față pentru a debloca. (26)

Frâna

- 1 - Pentru a bloca roțile din spate, pășiți pe zona roșie a pedalei de frână. (27)
 - 2 - Pentru a debloca roțile din spate, pășiți pe zona verde a pedalei de frână. (28)
- ! Acționați întotdeauna frâna atunci când căruciorul este oprit. Împingeți ușor căruciorul pentru a vă asigura că frâna este cuplată.

Mâner

Mânerul are 3 poziții.

- 1 - Pentru a regla înălțimea mânerului, apăsați butoanele de reglare (29)-1 ale mânerului și trageți mânerul în sus sau în jos. (29)-2

Reglarea înclinării

Există 5 poziții de reglare a spătarului.

- 1 - Pentru a ridica sau coborî spătarul, strângeți butonul de reglare a înclinării și trageți scaunul în sus sau în jos. (30)

Suportul pentru gambe

Suportul pentru gambă are 2 poziții de utilizare.

- 1 - Pentru a ridica suportul de gambă, trageți în sus. (31)
- 2 - Pentru a coborî suportul pentru gambă, apăsați butoanele de reglare de pe părțile laterale (32)-1 și apăsați în jos. (32)-2

Insertie

Insertia poate fi îndepărtată pentru a asigura o zonă de șezut cu plasă, pentru o mai bună ventilație pe vreme caldă.

- 1 - Pentru a îndepărta insertia, trageți benzile velcro de pe spătarul scaunului, desfaceți hamul, treceți hamul prin fante și îndepărtați perna scaunului. **(33)**

! NU scoateți tubul spătarului.

Scaun invers

Scaunul poate fi folosit orientat spre spate sau înainte.

- 1 - Strângeți butoanele de eliberare a scaunului și ridicați scaunul în sus. **(34)**
- 2 - Rotiți scaunul în direcția opusă și așezați-l pe suporturile scaunului până ce se fixează, cu un sunet clic. Un sunet „clic” înseamnă că scaunul este atașat. **(35)**

! Asigurați-vă că ați fixat corespunzător scaunul, trăgând de acesta.

Pliere

Înainte de a plia, împingeți baldachinul către partea din spate a căruciorului.

- 1 - Strângeți butonul de reglare a înclinării de pe spătarul scaunului **(36)-1** și rotiți spătarul în poziția memorată. **(36)-2**
- 2 - Trageți în sus butoanele de pliere **(37)-1** și împingeți căruciorul înainte pentru a-l plia. **(37)-2**
- 3 - Blocați căruciorul prin trecerea încuietorii de depozitare pe suportul de depozitare. **(38)**

Accesorii

Adaptoare pentru scaune auto

Când folosiți căruciorul cu transportoare pentru copii Nuna, consultați instrucțiunile următoare.

- 1 - Pentru a atașa adaptoarele, puneți adaptoarele pe suporturile de montare de pe scaun, după cum se arată. Un sunet „clic” înseamnă că adaptoarele sunt blocate. **(39)**
- 2 - Pentru a atașa transportorul de copii, plasați transportorul pe adaptoare, așa cum se arată în **(40)**, Un sunet „clic” înseamnă ștergeți spațiul suplimentar transportorul de copii este blocat. **(41)**
- 3 - Unghiul transportorului pentru copii poate fi ajustat cu ajutorul adaptoarelor noastre reglabile. **(42)**
- 4 - Pentru a scoate transportorul de copii, ridicați transportorul **(43)-2** în timp ce apăsați butoane de eliberare de pe cărucior. **(43)-1**
- 5 - Pentru a scoate adaptoarele, ridicați adaptoare **(44)-2** în timp ce ștergeți spațiul suplimentar trageți butoanele de eliberare. **(44)-1**

Șorț

Șorțul moale poate oferi copilului dvs. un mediu cald și confortabil.

- 1 - Puneți șorțul peste scaun, fixați clemele de pe șorț și de pe scaun **(45)-1**. repetați pe partea opusă.
- 2 - Șorțul asamblat complet este indicat în **(45)**.

Husă de ploaie

Verificați dacă baldachinul este complet deschis înainte de a fixa husa de ploaie.

1 - Pentru a asambla husa de ploaie, așezați-o deasupra căruciorului. **(46)**

! **ÎNTOTDEAUNA** verificați ventilația atunci când husa de ploaie este pe produs.

ÎNTOTDEAUNA verificați dacă husa de ploaie a fost curățată și uscată înainte de pliere.

NU pliați căruciorul atunci când husa de ploaie este atașată.

NU așezați copilul în cărucior pe vreme caldă, cu husa de ploaie atașată.

Curățarea și întreținerea

Curățați cadrul, componentele din plastic și materialul cu o lavetă umedă, însă nu folosiți materiale abrazive sau înălbitor. Nu folosiți lubrifianți pe bază de silicon, deoarece aceștia atrag murdăria și praful. Nu depozitați căruciorul într-un loc umed.

Curățați periodic roțile căruciorului cu apă și îndepărtați orice murdărie.

Pentru a vă putea bucura de produsul dvs. cât mai mult timp, ștergeți-l cu o lavetă moale, absorbantă, după ce a fost expus la ploaie.

Consultați eticheta de îngrijire de pe părțile textile pentru instrucțiuni referitoare la spălare și uscare.

Decolorarea materialului sub acțiunea razelor solare este firească, iar urmele de uzură după o perioadă lungă de folosire sunt normale, chiar dacă produsul este utilizat conform instrucțiunilor.

Din rațiuni de siguranță, utilizați doar piese originale Nuna.

Verificați regulat dacă totul funcționează corespunzător. Dacă identificați orice piese uzate, defecte sau lipsă, întrerupeți utilizarea produsului.

**ΣΗΜΑΝΤΙΚΟ!
ΔΙΑΒΑΣΤΕ ΠΡΟΣΕΚΤΙΚΑ
ΚΑΙ ΦΥΛΑΞΤΕ
ΤΙΣ ΟΔΗΓΙΕΣ ΓΙΑ
ΜΕΛΛΟΝΤΙΚΗ ΧΡΗΣΗ**

Περιεχόμενα

Πληροφορίες προϊόντος	341
Καταχώρηση προϊόντος	
Εγγύηση	
Επικοινωνία	
Απαιτήσεις χρήσης	342
Προειδοποιήσεις	343
Κατάλογος εξαρτημάτων	347
Προετοιμασία προϊόντος	349
Χρήση προϊόντος	352
Εξαρτήματα	356
Προσαρμογέας καθίσματος αυτοκινήτου	
Ποδιά	
Κάλυμμα βροχής	
Καθαρισμός και συντήρηση	358

Πληροφορίες προϊόντος

Αριθμός μοντέλου: _____

Ημερομηνία κατασκευής: _____

Καταχώριση προϊόντος

Συμπληρώστε τις παραπάνω πληροφορίες. Ο αριθμός μοντέλου και η ημερομηνία κατασκευής αναγράφονται στην ετικέτα στο κάτω μέρος του πλαισίου του καροτσιού.

Για να καταχωρίσετε το προϊόν σας, επισκεφθείτε τη διεύθυνση:

www.nunababy.com

Κάντε κλικ στον σύνδεσμο “Εξοπλισμός” στην αρχική σελίδα.

Εγγύηση

Σχεδιάζουμε τα υψηλής ποιότητας προϊόντα μας με σκοπό να μπορούν να αναπτυχθούν μαζί με το παιδί σας και την οικογένειά σας. Επειδή προσφέρουμε υποστήριξη, τα προϊόντα μας καλύπτονται από μια προσαρμοσμένη εγγύηση ανά προϊόν, η οποία ξεκινά από την ημέρα αγοράς. Παρακαλείστε να έχετε διαθέσιμα την απόδειξη αγοράς, τον αριθμό μοντέλου και την ημερομηνία κατασκευής, όταν επικοινωνείτε μαζί μας.

Για πληροφορίες σχετικά με την εγγύηση, επισκεφθείτε τη διεύθυνση:

www.nunababy.com

Κάντε κλικ στον σύνδεσμο “Εγγύηση” στην αρχική σελίδα.

Επικοινωνία

Για τα ανταλλακτικά, επισκευές ή πρόσθετες ερωτήσεις εγγύησης, επικοινωνήστε με το τμήμα εξυπηρέτησης πελατών μας.

info@nunababy.com

www.nunababy.com

Απαιτήσεις χρήσης

Το καρότσι είναι κατάλληλο για χρήση με παιδιά που πληρούν τις ακόλουθες απαιτήσεις:

Από τη γέννηση έως 22 κιλά ή 4 ετών, όποιο συμβεί πρώτο.

Όταν χρησιμοποιείτε το πλαίσιο του καροτσιού με πορτομπεμπέ MIXX ή βρεφικό ριλάξ Nuna, ανατρέξτε στις απαιτήσεις χρήσης που αναφέρονται σε αυτά τα εγχειρίδια οδηγίων.

ΠΡΟΕΙΔΟΠΟΙΗΣΗ

Σε περίπτωση που δεν ακολουθήσετε αυτές τις προειδοποιήσεις και οδηγίες, αυτό μπορεί να έχει ως αποτέλεσμα σοβαρό τραυματισμό ή ακόμη και θάνατο.

Χρησιμοποιείτε πάντα το σύστημα πρόσδεσης.

Βεβαιωθείτε ότι οι διατάξεις σύνδεσης του καροτσιού ή του καθίσματος ή του καθίσματος αυτοκινήτου έχουν τοποθετηθεί σωστά πριν από τη χρήση.

Μην αφήνετε το παιδί σας να παίζει με το προϊόν αυτό.

Βεβαιωθείτε ότι έχουν ενεργοποιηθεί όλες οι διατάξεις ασφάλισης πριν από τη χρήση.

Μην αφήνετε ποτέ το παιδί σας χωρίς επιτήρηση.

Μη χρησιμοποιείτε το προϊόν αυτό όταν κάνετε τζόκινγκ.

Για την αποφυγή τραυματισμών, απομακρύνετε το παιδί σας κατά το δίπλωμα και το ξεδίπλωμα του προϊόντος αυτού.

Εξαρτήματα που δεν έχουν εγκριθεί από τον κατασκευαστή δεν πρέπει να χρησιμοποιούνται. Πρέπει να χρησιμοποιούνται μόνο ανταλλακτικά που παρέχονται ή συνιστώνται από τον κατασκευαστή/διανομέα.

Απαιτείται συναρμολόγηση από ενήλικο.

Ενεργοποιείτε **ΠΑΝΤΑ** το φρένο όταν το καρότσι δεν κινείται.

Οποιοσδήποτε ζημίες προκαλούνται από τη χρήση εξαρτημάτων που δεν παρέχονται από τη Nuna δεν καλύπτονται από την εγγύηση.

Κάθε φορτίο που συνδέεται με τη λαβή και/ή με το πίσω μέρος της πλάτης ή/και τις πλευρές του οχήματος θα επηρεάσει τη σταθερότητα του οχήματος.

Βεβαιωθείτε ότι το καρότσι είναι πλήρως ανοικτό πριν αφήσετε το παιδί κοντά στο καρότσι.

MHN μεταφέρετε περισσότερα από ένα παιδιά, αγαθά, αξεσουάρ μέσα ή πάνω στο καρότσι, εκτός εάν επιτρέπεται από το παρόν φύλλο οδηγιών.. Ενδέχεται να προκαλέσουν αστάθεια στο καρότσι.

MHN αφήνετε το καρότσι εκτεθειμένο κοντά σε ισχυρές πηγές θερμότητας, όπως θερμάστρες ή ανοικτή φλόγα.

MHN τοποθετείτε κανένα αντικείμενο επάνω στην κουκούλα.

MHN αποθηκεύετε το καρότσι σε υγρό μέρος. Να αφήνετε πάντα στο ύφασμα να στεγνώσει φυσικά μακριά από την άμεση θερμότητα.

MHN χρησιμοποιείτε το καλάθι αποθήκευσης για να μεταφέρετε το παιδί.

MHN χρησιμοποιείτε το καρότσι αν κάποια μέρη του έχουν σπάσει ή λείπουν.

Για τα καθίσματα αυτοκινήτων που χρησιμοποιούνται σε συνδυασμό με ένα πλαίσιο, αυτό το όχημα δεν αντικαθιστά μια κούνια ή ένα κρεβάτι. Εάν το παιδί σας πρέπει να κοιμηθεί, τότε θα πρέπει να τοποθετηθεί σε κατάλληλο πορτομπεμπέ, κούνια ή κρεβάτι.

Κρατήστε τα μικρά εξαρτήματα μακριά από τα παιδιά, καθώς αποτελούν κίνδυνο πνιγμού.

Να κινήστε προσεκτικά στα κράσπεδα και το τραχύ έδαφος. Οι επαναλαμβανόμενες προσκρούσεις μπορεί να προκαλέσουν βλάβη στο καρτσάκι.

ΜΗΝ αφήνετε το παιδί να στέκεται όρθιο επάνω στο καρότσι.

ΜΗΝ μεταφέρετε περισσότερα από ένα παιδιά με το καρότσι.

ΠΟΤΕ μην χρησιμοποιείτε το καρότσι σε σκάλες ή κυλιόμενες σκάλες. Μπορεί να χάσετε ξαφνικά τον έλεγχο του καρτσιού ή το παιδί σας να πέσει έξω.

Οι ιμάντες πρέπει να τοποθετούνται και να προσαρμόζονται σωστά. Ο ιμάντας δεν αποτελεί υποκατάστατο της σωστής εποπτείας από ενήλικο.

Κατά την τοποθέτηση και την αφαίρεση του παιδιού πρέπει να ενεργοποιείται το φρένο.

Η υπερφόρτωση, το λανθασμένο κλείσιμο και η χρήση εξαρτημάτων π.χ. παιδικά καθίσματα, άγκιστρα τσάντας, καλύμματα βροχής, καρτσάκια κ.λπ., εκτός από εκείνα που έχουν εγκριθεί από τη Nuna, μπορεί να προκαλέσουν βλάβη ή να καταστήσουν το καρότσι μη ασφαλές.

Τα λάστιχα από καουτσούκ μπορεί να αφήνουν μαύρα σημάδια σε λείες επιφάνειες όπως παρκέ, πολυστρωματικό υλικό και λινέλαιο.

ΚΙΝΔΥΝΟΣ ΣΤΡΑΓΓΑΛΙΣΜΟΥ Μην τοποθετείτε αντικείμενα με κορδόνια γύρω από το λαιμό του παιδιού σας, αναρτάτε κορδόνια πάνω από το προϊόν ή δένετε παιχνίδια με κορδόνια.

Για να αποφύγετε τον κίνδυνο ασφυξίας, αφαιρέστε όλα τα πλαστικά καλύμματα πριν χρησιμοποιήσετε αυτό το αντικείμενο προϊόν και απορρίψτε τα ή κρατήστε τα μακριά από βρέφη και παιδιά.

Για να αποφύγετε κινδύνους ανατροπής, μην τοποθετείτε περισσότερο από 4,5 κιλά στο καλάθι αποθήκευσης και περισσότερο από 0,45 κιλά στην τσέπη αποθήκευσης.

ΧΡΗΣΙΜΟΠΟΙΕΙΤΕ την πλέον ξαπλωτή θέση για τα βρέφη.

Χρησιμοποιήστε το καρότσι αν το παιδί σας ζυγίζει λιγότερο από 22 κιλά. Κίνδυνος πρόκλησης βλάβης στο καρότσι, αν το παιδί ζυγίζει περισσότερο.

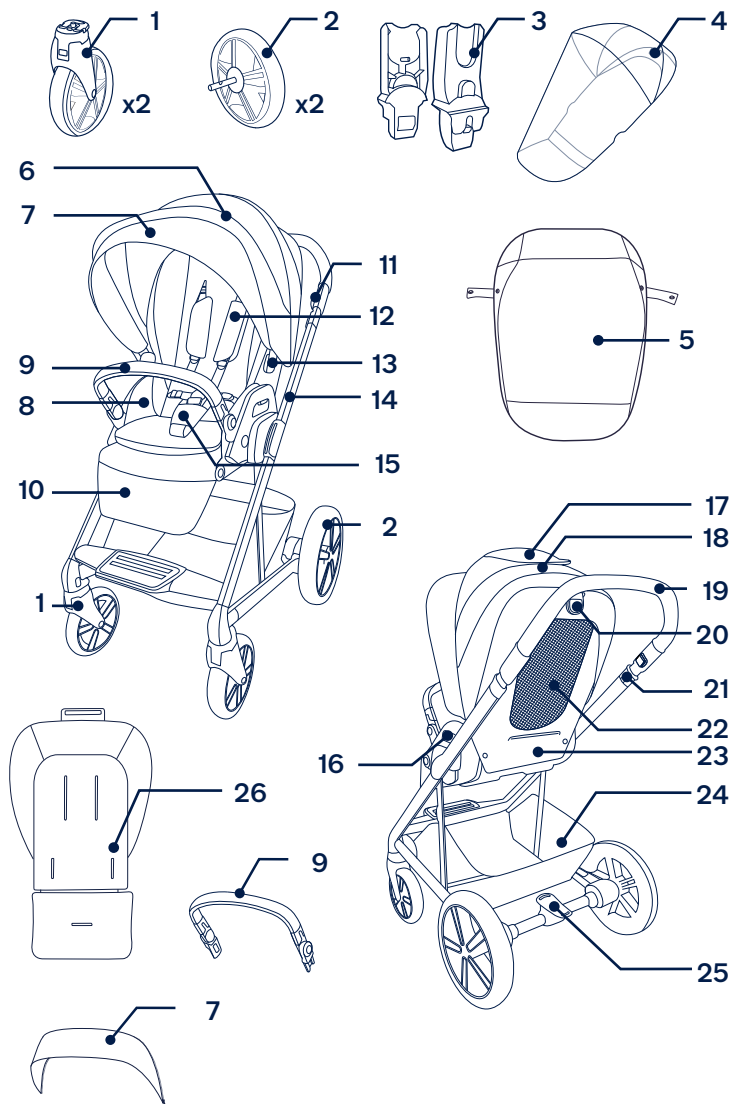
Κατάλογος εξαρτημάτων

Πριν από τη συναρμολόγηση βεβαιωθείτε ότι όλα τα εξαρτήματα είναι διαθέσιμα.

Εάν λείπει οποιοδήποτε εξάρτημα, παρακαλούμε επικοινωνήστε με το κατάστημα λιανικής πώλησης. Δεν απαιτούνται εργαλεία για τη συναρμολόγηση.

! ΚΙΝΔΥΝΟΣ ΠΝΙΓΜΟΥ: Αφαιρέστε και απορρίψτε άμεσα τα προστατευτικά καλύμματα των τροχών και του άξονα τροχών.

- | | |
|---------------------------------------|-----------------------------------|
| 1 Μπροστινός τροχός (x2) | 15 Πόρπη και κάλυμμα καβάλου |
| 2 Πίσω τροχός (x2) | 16 Κουμπί αποδέσμευσης καθίσματος |
| 3 Προσαρμογέας καθίσματος αυτοκινήτου | 17 Επάνω παράθυρο κουκούλας |
| 4 Κάλυμμα βροχής | 18 Πίσω παράθυρο κουκούλας |
| 5 Ποδιά | 19 Λαβή καρτσιού |
| 6 Κουκούλα | 20 Κουμπί ρύθμισης ανάκλισης |
| 7 Παράθυρο κουκούλας | 21 Κουμπί αναδίπλωσης |
| 8 Μαξιλάρι καθίσματος | 22 Αερισμός καθίσματος |
| 9 Προστατευτική μπάρα | 23 Τσέπη αποθήκευσης |
| 10 Στήριγμα ποδιών | 24 Καλάθι αποθήκευσης |
| 11 Κουμπί ρύθμισης λαβής | 25 Μοχλός φρένου |
| 12 Προστατευτικά ιμάντα ώμου | 26 Ένθεμα |
| 13 Κλιπ κουκούλας | |
| 14 Πλαίσιο καρτσιού | |



Προετοιμασία προϊόντος

Ανοιγμα καρτσιού

- 1 - Ανοίξτε το μάνταλο αποθήκευσης όπως φαίνεται στην εικόνα **(1)**. Ανασηκώστε τη λαβή από τις πλευρές και περιστρέψτε την στο πίσω μέρος του καρτσιού. Ένας ήχος “**κλικ**” σημαίνει ότι το πλαίσιο του καρτσιού έχει ανοίξει πλήρως. **(2)**
 - 2 - Πιέστε το κουμπί ρύθμισης ανάκλισης στο πίσω μέρος του καθίσματος και περιστρέψτε την πλάτη στην όρθια θέση. **(3)**
- ! Βεβαιωθείτε ότι το καρότσι είναι πλήρως ανοιγμένο πριν συνεχίσετε.

Κουκούλα

- 1 - Κουμπώστε το παράθυρο κουκούλας στο εσωτερικό της κουκούλας. **(4)**
- 2 - Εισαγάγετε τα κλιπ της κουκούλας στις βάσεις κουκούλας στα πλαϊνά του καρτσιού. Ένας ήχος “**κλικ**” σημαίνει ότι η κουκούλα έχει τοποθετηθεί σωστά. **(5)**

Μπροστινοί τροχοί

- 1 - Τοποθετήστε τον μπροστινό τροχό στο μπροστινό σκέλος. Ένας ήχος “**κλικ**” σημαίνει ότι ο τροχός έχει τοποθετηθεί σωστά. **(6)** Επαναλάβετε στην άλλη πλευρά.
- ! Ελέγξτε ότι ο τροχός είναι ασφαλώς τοποθετημένος τραβώντας τον προς τα έξω.
- 2 - Για να αφαιρέσετε τον μπροστινό τροχό, πατήστε το κουμπί αποδέσμευσης **(7)-1** και αποσυνδέστε τον μπροστινό τροχό από το μπροστινό σκέλος. **(7)-2**

Πίσω τροχοί

- 1 - Τοποθετήστε τον πίσω τροχό στο πίσω σκέλος. Ένας ήχος “**κλικ**” σημαίνει ότι ο πίσω τροχός έχει τοποθετηθεί σωστά. Επαναλάβετε στην άλλη πλευρά. **(8)**
- ! Ελέγξτε ότι οι τροχοί είναι ασφαλώς τοποθετημένοι τραβώντας τους προς τα έξω.
- 2 - Για να αφαιρέσετε τον πίσω τροχό, πατήστε το κουμπί αποδέσμευσης **(9)-1** και αποσυνδέστε τον πίσω τροχό από το πίσω σκέλος. **(9)-2**

Προστατευτική μπάρα

- ! Ασφαλιζετε πάντα το παιδί με τον ιμάντα. Η μπάρα δεν αποτελεί διάταξη συγκράτησης.
- 1 - Ευθυγραμμίστε τα άκρα της μπάρας με τα στηρίγματα και κουμπώστε την στη θέση της. Ένας ήχος “**κλικ**” σημαίνει ότι η μπάρα έχει τοποθετηθεί σωστά. **(10)**
 - 2 - Για να αφαιρέσετε την μπάρα, πατήστε τα κουμπιά απελευθέρωσης της μπάρας **(11)-1** και ανασηκώστε την μπάρα. **(11)-2**
 - 3 - Για μια πιο συμπαγή αναδίπλωση όταν το κάθισμα είναι στραμμένο προς τα πίσω, πιέστε τα κουμπιά ρύθμισης της μπάρας **(12)-1** και περιστρέψτε την μπάρα προς τα κάτω **(12)-2** μέχρι να ασφαλίσει στη θέση της.
- ! **ΠΟΤΕ** μη χρησιμοποιείτε τη μπάρα σε χαμηλωμένη/ αναδιπλωμένη θέση όταν το παιδί είναι στο καρότσι.
- Το πλήρως συναρμολογημένο καρότσι εμφανίζεται στην εικόνα **(13)**.

Έλεγχος συναρμολόγησης

- Το πλαίσιο του καροτσιού είναι ανοιχτό
- Μπροστινοί τροχοί και πίσω τροχοί ασφαλώς τοποθετημένοι
- Βάση κουκούλας προσαρτημένη στο πλαίσιο του καροτσιού και κουκούλα προσαρτημένη στο μαξιλάρι καθίσματος
- Η μπάρα είναι ασφαλώς τοποθετημένη

Χρήση προϊόντος

! Το φρένο στάθμευσης **ΠΡΕΠΕΙ** να είναι ενεργοποιημένο όταν το καρότσι είναι σταματημένο και κατά την τοποθέτηση και την αφαίρεση του παιδιού.

Ασφάλιση του παιδιού σας

! Για να αποφύγετε σοβαρούς τραυματισμούς από πτώση ή ολίσθηση, χρησιμοποιείτε πάντα ζώνη ασφαλείας. Βεβαιωθείτε ότι ο ιμάντας έχει ρυθμιστεί σωστά και ότι το παιδί σας είναι καλά ασφαλισμένο. Ο χώρος μεταξύ του παιδιού και του ιμάντα ώμου πρέπει να έχει περίπου το πάχος ενός δακτύλου. **ΜΗΝ** σταυρώνετε τους ιμάντες ώμου. Αυτό θα ασκήσει πίεση στον αυχένα του παιδιού.

- 1** - Πιέστε το κεντρικό κουμπί στην πόρπη για να ελευθερώσετε το μάνταλο, αφαιρέστε τα κλιπ και τοποθετήστε το παιδί σας στο καρότσι. **(14)**
- 2** - Συνδέστε την πόρπη της ζώνης ώμου και την πόρπη της ζώνης μέσης. **(15)**
- 3** - Ασφαλίστε την πόρπη της ζώνης ώμου και την πόρπη της ζώνης μέσης και επαναλάβετε την αντίθετη πλευρά. **(16)**
- 4** - Προσαρμόστε τον ιμάντα σφιχτά στο παιδί σας τραβώντας τους ιμάντες ρύθμισης **(17)-1**. Στη συνέχεια, τραβήξτε τους ιμάντες ρύθμισης ζώνης μέσης προς τα έξω **(17)-2**.

Θέση ιμάντα ώμου

- 1** - Οι πόρπες των ιμάντων ώμων μπορούν να μετακινηθούν προς τα πάνω και προς τα κάτω για πρόσθετη ρύθμιση. **(18)**

Ζώνη καβάλου

Επιλέξτε την υποδοχή της ζώνης καβάλου που προσφέρει άνετη εφαρμογή. Αλλάξτε την υποδοχή της ζώνης καβάλου, εάν είναι απαραίτητο.

- 1 - Τα μικρότερα μωρά χρησιμοποιούν αυτή τη θέση. **(19)-1**
- 2 - Τα μεγαλύτερα μωρά χρησιμοποιούν αυτή τη θέση. **(19)-2**

Κουκούλα

- 1 - Για να ανοίξετε την κουκούλα, τραβήξτε την προς το μπροστινό μέρος του καθίσματος. Για να κλείσετε την κουκούλα, σπρώξτε τη προς τα πίσω. **(20)**
- 2 - Τοποθετήστε το παράθυρο της κουκούλας προς τα εμπρός ή προς τα πίσω, όπως απαιτείται. Όταν δεν χρησιμοποιείται, διπλώστε το παράθυρο της κουκούλας κάτω από την κουκούλα. **(21)**
- 3 - Ανοίξτε το φερμουάρ στην κουκούλα για πρόσθετη σκίαση και αερισμό. **(22)**
- 4 - Για αερισμό, ανασηκώστε το επάνω κάλυμμα παραθύρου κουκούλας. **(23)**
- 5 - Για πρόσθετο αερισμό, ανασηκώστε το πίσω κάλυμμα παραθύρου κουκούλας. **(24)**

Ασφάλειες μπροστινών τροχών

Συνιστάται η χρήση των ασφαλειών των μπροστινών τροχών σε ανώμαλες επιφάνειες.

- 1 - Πιέστε **(25)-1** και τραβήξτε έξω την ασφάλεια μπροστινών τροχών **(25)-2** για να ασφαλίσετε τον μπροστινό τροχό στην κατεύθυνση προς τα μπροστά. Ίσως χρειαστεί να μετακινήσετε τον τροχό για να τον κλειδώσετε.
- 2 - Πιέστε την ασφάλεια των μπροστινών τροχών προς τα κάτω για ξεκλείδωμα. **(26)**

Φρένο

- 1 - Για να κλειδώσετε τους πίσω τροχούς, κατεβάστε τον μοχλό φρένων με το πόδι σας. **(27)**
 - 2 - Για να ξεκλειδώσετε τους πίσω τροχούς, πατήστε το πράσινο σημείο στον μοχλό φρένων με το πόδι σας. **(28)**
- !** Εφαρμόζετε πάντα το φρένο όταν καρότσι δεν κινείται. Σπρώξτε ελαφρά το καρότσι για να βεβαιωθείτε ότι είναι ενεργοποιημένο το φρένο.

Λαβή

Η λαβή έχει 3 θέσεις.

- 1 - Για να ρυθμίσετε το ύψος της λαβής, πατήστε τα κουμπιά ρύθμισης λαβής **(29)-1** και τραβήξτε τη λαβή προς τα επάνω ή προς τα κάτω. **(29)-2**

Ρύθμιση ανάκλισης

Υπάρχουν 5 θέσεις κλίσης για την πλάτη.

- 1 - Για να σηκώσετε ή να κατεβάσετε την πλάτη, πιέστε το κουμπί ρύθμισης κλίσης και τραβήξτε την πλάτη προς τα πάνω ή προς τα κάτω. **(30)**

Στήριγμα ποδιών

Το στήριγμα ποδιών έχει 2 θέσεις.

- 1 - Για να ανασηκώσετε το στήριγμα ποδιών, τραβήξτε το προς τα πάνω. **(31)**
- 2 - Για να κατεβάσετε το στήριγμα ποδιών, πατήστε το κουμπί ρύθμισης **(32)-1** και σπρώξτε προς τα κάτω. **(32)-2**

Εισαγωγή

Το ένθετο μπορεί να αφαιρεθεί για καλύτερο αερισμό όταν επικρατούν υψηλές θερμοκρασίες.

- 1 - Για να αφαιρέσετε το ένθετο, ελευθερώστε το velcro στο πίσω μέρος του καθίσματος, λύστε τον ιμάντα, περάστε τον ιμάντα μέσω των υποδοχών και αφαιρέστε το μαξιλάρι καθίσματος. **(33)**

! **MHN** αφαιρείτε τον σωλήνα της πλάτης.

Αναστροφή καθίσματος

Το κάθισμα μπορεί να χρησιμοποιηθεί με κατεύθυνση προς τα πίσω ή προς τα μπροστά.

- 1 - Πατήστε τα κουμπιά αποδέσμευσης καθίσματος και σηκώστε το κάθισμα προς τα πάνω. **(34)**

- 2 - Γυρίστε το κάθισμα προς την αντίθετη κατεύθυνση και τοποθετήστε το στις βάσεις του καθίσματος μέχρι να ασφαλίσει στη θέση του. Ένας ήχος “**κλικ**” σημαίνει ότι το κάθισμα έχει τοποθετηθεί σωστά. **(35)**

! Ελέγξτε τη σωστή τοποθέτηση του καθίσματος τραβώντας το προς τα επάνω.

Αναδίπλωση

Πριν την αναδίπλωση, σπρώξτε την κουκούλα στο πίσω μέρος του καροτσιού.

- 1 - Πιέστε το κουμπί ρύθμισης ανάκλισης στο πίσω μέρος του καθίσματος **(36)-1** και περιστρέψτε την πλάτη στην αποθηκευμένη θέση. **(36)-2**
- 2 - Τραβήξτε τα κουμπιά αναδίπλωσης **(37)-1** και σπρώξτε το καρότσι προς τα εμπρός για να το διπλώσετε. **(37)-2**
- 3 - Κλειδώστε το καρότσι στερεώνοντας το μάνταλο αποθήκευσης στη βάση αποθήκευσης. **(38)**

Αξεσουάρ

Προσαρμογείς καθίσματος αυτοκινήτου

Κατά τη χρήση του καροτσιού με βρεφικά ριλάξ Nuna, παρακαλούμε ανατρέξτε στις παρακάτω οδηγίες.

- 1 - Για να τοποθετήσετε τους προσαρμογείς, τοποθετήστε τους προσαρμογείς πάνω στις βάσεις των καθισμάτων όπως παρουσιάζεται. Ένας ήχος “**κλικ**” σημαίνει ότι οι προσαρμογείς έχουν ασφαλίσει σωστά. **(39)**

- 2 - Για να τοποθετήσετε το πορτμπεμπέ, τοποθετήστε το πορτ μπεμπέ επάνω στους προσαρμογείς όπως φαίνεται στην εικόνα **(40)**, Ένας ήχος “κλικ” σημαίνει ότι το πορτ μπεμπέ έχει ασφαλίσει στη θέση του. **(41)**
- 3 - Η γωνία του πορτ μπεμπέ μπορεί να ρυθμιστεί με τους ρυθμιζόμενους προσαρμογείς μας. **(42)**
- 4 - Για να αφαιρέσετε το πορτ μπεμπέ, ανασηκώστε το πορτ μπεμπέ **(43)-2** ενώ πιέζετε τα κουμπιά απελευθέρωσης του καροτσιού. **(43)-1**
- 5 - Για να αφαιρέσετε τους προσαρμογείς, τραβήξτε τους προσαρμογείς προς τα επάνω **(44)-2** ενώ τραβάτε τα κουμπιά αποδέσμευσης. **(44)-1**

Ποδιά

Η μαλακή ποδιά μπορεί να προσφέρει στο παιδί σας ένα ζεστό και άνετο περιβάλλον.

- 1 - Τοποθετήστε την ποδιά πάνω από το κάθισμα, δέστε τα μάνταλα στην ποδιά και το κάθισμα **(45)-1**, επαναλάβετε την αντίθετη πλευρά.
- 2 - Η τοποθετημένη ποδιά εμφανίζεται στην Εικ. **(45)**.

Κάλυμμα βροχής

Βεβαιωθείτε ότι η κουκούλα είναι εντελώς ανοιχτή πριν τοποθετήσετε το κάλυμμα βροχής.

- 1 - Για να συναρμολογήσετε το κάλυμμα βροχής, τοποθετήστε το επάνω στο καρότσι. **(46)**

! **ΠΑΝΤΑ** να ελέγχετε τον αερισμό όταν το κάλυμμα βροχής είναι επάνω στο προϊόν.

ΠΑΝΤΑ να ελέγχετε ότι το κάλυμμα βροχής είναι καθαρό και στεγνό πριν το διπλώσετε.

ΜΗΝ κλείνετε το καρότσι όταν είναι τοποθετημένο το κάλυμμα βροχής.

ΜΗΝ τοποθετείτε το παιδί σας στο καρότσι με το κάλυμμα βροχής τοποθετημένο όταν ο καιρός είναι ζεστός.

Καθαρισμός και συντήρηση

Καθαρίστε το πλαίσιο, τα πλαστικά μέρη και το ύφασμα με ένα υγρό πανί, αλλά μην χρησιμοποιείτε λειαντικά ή λευκαντικά. Μην χρησιμοποιείτε λιπαντικά πυριτίου, καθώς προσελκύουν ακαθαρσίες και σκόνη. Μην αποθηκεύετε το καρότσι σε υγρό μέρος.

Καθαρίζετε τακτικά τους τροχούς του καροτσιού και απομακρύνετε τυχόν ακαθαρσίες.

Για να εξασφαλίσετε μακροχρόνια χρήση, σκουπίζετε το προϊόν με ένα μαλακό απορροφητικό ύφασμα όταν το χρησιμοποιείτε με βροχερό καιρό.

Για οδηγίες πλυσίματος και στεγνώματος, ανατρέξτε στην ετικέτα περιποίησης που είναι τοποθετημένη στο ύφασμα.

Είναι φυσιολογικό το ύφασμα να ξεθωριάζει από το ηλιακό φως και να παρουσιάσει φθορά μετά από μακρά περίοδο χρήσης, ακόμα και όταν χρησιμοποιείται κανονικά.

Για λόγους ασφαλείας, χρησιμοποιείτε μόνο αυθεντικά εξαρτήματα της Nuna.

Ελέγχετε τακτικά ότι όλα λειτουργούν σωστά. Αν παρατηρήσετε οποιοδήποτε σκίσιμο, φθορά ή απουσία εξαρτημάτων, σταματήστε να χρησιμοποιείτε το προϊόν.

NUNA International B.V. Το λογότυπο Nuna και όλα τα σχετιζόμενα λογότυπα είναι εμπορικά σήματα.

**ÖNEMLİ!
DİKKATLİCE OKUYUN
VE İLERİDE BAŞVURMAK
İÇİN SAKLAYIN**

İçindekiler

Ürün Bilgisi	361
Ürün Kaydı	
Garanti	
İletişim	
Çocuk Kullanım Koşulları	362
Uyarılar	363
Parça Listesi	367
Ürünün Kurulumu	369
Ürün Kullanımı	371
Aksesuarlar	375
Araba Koltuğu Adaptörü	
Önlük	
Yağmurluk	
Temizlik ve Bakım	377

Ürün Bilgisi

Model Numarası: _____

Üretim Tarihi: _____

Ürün Kaydı

Lütfen yukarıdaki bilgileri doldurun. Model numarası ve üretim tarihi bebek arabası çerçevesinin altındaki etikette bulunur.

Ürününüzü kaydettirmek için lütfen şu adrese gidin:

www.nunababy.com

Ana sayfadaki "Donanımı Kaydet" linkine tıklayın.

Garanti

Yüksek kaliteli ürünlerimizi, hem çocuğunuzla hem de ailenizle birlikte büyüyecek şekilde bilinçli olarak tasarladık. Ürünümüzün arkasında durduğumuz için, donanımımız satın alındığı günden itibaren her ürüne ait özel garanti kapsamındadır. Lütfen bizimle iletişime geçtiğinizde satın alma belgesini, model numarasını ve üretim tarihini hazır bulundurun.

Garanti bilgileri için lütfen şu adrese gidin:

www.nunababy.com

Ana sayfadaki "Garanti" linkine tıklayın.

İletişim

Yedek parça, servis veya ek garanti ile ilgili sorularınız için lütfen müşteri hizmetleri birimimizle iletişime geçin.

info@nunababy.com

www.nunababy.com

Çocuk Kullanım Koşulları

Bebek arabası, aşağıdaki koşulları karşılayan çocuklar için kullanıma uygundur.

hangisi önce gelirse, 22 kg'a veya 4 yaşına kadar doğum.

Bebek arabası çerçevesini MIXX bebek karyolası veya Nuna bebek taşıyıcıları ile kullanırken, bu kullanım kılavuzlarında listelenen çocuk kullanım gereksinimlerine bakın.

⚠ UYARI

Bu uyarılara ve talimatlara uyulmaması ciddi yaralanma veya ölümlle sonuçlanabilir.

Daima emniyet kemeri sistemini kullanın.

Her kullanımdan önce port-bebe veya oturma ünitesi veya oto güvenlik koltuğu donatılarının doğru şekilde bağlı olduğunu kontrol edin.

Çocuğunuzun bu ürünle oynamasına izin vermeyin.

Kullanmadan önce tüm kilitleme mekanizmalarının bağlı olduğundan emin olun.

Asla çocuğunuzu gözetimsiz bırakmayın.

Bu ürün koşu veya paten için uygun değildir.

Yaralanmayı önlemek için bu ürünü açarken ve katlarken çocuğunuzun uzakta olduğundan emin olun.

Üretici tarafından onaylanmamış aksesuarlar kullanılmamalıdır. Yalnızca üretici/distribütör tarafından sağlanan veya önerilen yedek parçalar kullanılmalıdır.

Montaj işlemi yetişkin tarafından yapılmalıdır.

Arabayı durdurduğunuzda **HER ZAMAN** park frenine alın.

Nuna tarafından sağlanmayan aksesuarların kullanımından kaynaklanan herhangi bir hasar garanti kapsamında değildir.

Kulpa, arkalığın sırt kısmına ve/veya aracın yan taraflarına takılan yükler aracın dengesini etkileyecektir.

Çocuğunuzun bebek arabasına yaklaşmasına izin vermeden önce bebek arabasının tamamen açıldığından ve kilitlendiğinden emin olun.

Bebek arabasının içinde veya üzerinde, bu kılavuzda izin verilenlerin dışında başka çocuk, eşya veya aksesuar **TAŞIMAYIN**. Bunlar bebek arabasının dengesinin bozulmasına neden olabilir.

Bebek arabasını radyatör veya açık alev gibi güçlü bir ısı kaynağının yakınında açıkta **BIRAKMAYIN**.

Gölgeliğin üzerine hiçbir cisim **YERLEŞTİRMEYİN**.

Bebek arabasını nemli bir yerde **SAKLAMAYIN**. Kumaşın daima direkt ısıdan uzakta doğal biçimde kurumasına izin verin.

Depolama sepetini çocuk taşıma aracı olarak **KULLANMAYIN**.

Herhangi bir parça kırık ya da eksikse bebek arabasını **KULLANMAYIN**.

Bir kızak düzeneğiyle birlikte kullanılan çocuk koltukları için, bu araç bir karyola veya yatak yerine geçmez. Çocuğunuzun uyuması gerektiğinde, uygun bir çocuk arabası gövdesine, karyolaya veya yatağa yerleştirilmelidir.

Boğulma tehlikesi oluşturduklarından, küçük parçaları çocuklardan uzak tutun.

Kaldırım taşlarını ve kaba zeminleri dikkatlice tartın. Tekrarlanan darbeler bebek arabasına zarar verebilir.

Çocuğunuzun bebek arabasında ayağa kalkmasına izin **VERMEYİN**.

Bebek arabasında **ASLA** aynı anda birden fazla çocuk taşımayın.

Bebek arabasını **ASLA** sabit ya da yürüyen merdivenlerde kullanmayın. Bebek arabasının kontrolünü aniden kaybedebilirsiniz veya çocuğunuz düşebilir.

Kemer daima doğru şekilde takılmalı ve ayarlanmalıdır. Kemer yetişkin gözetiminin yerini tutacak bir alternatif değildir.

Çocuğunuzun yerleştirirken ve kaldırırken park freni etkinleştirilmelidir.

Aşırı yükleme, yanlış katlama ve Nuna tarafından onaylananların haricinde çocuk koltuğu, çanta kancası, yağmur örtüsü, puset basamağı vb. gibi aksesuarların kullanılması bebek arabasına zarar verebilir ve arabayı güvensiz hale getirebilir.

Lastik tekerlekler parke, laminat ve muşamba gibi pürüzsüz yüzeylerde siyah çizgiler bırakabilir.

BOĞULMA TEHLİKESİ Çocuğunuzun boynunun etrafında ipli nesnelere bulundurmuyun, üründen ipler asılmasına izin vermeyin veya oyuncaklara ip bağlamayın.

Boğulma tehlikesini önlemek için, bu ürünü kullanmadan önce tüm plastik örtüleri çıkarıp atın veya bebeklerden ve çocuklardan uzak tutun!

Tehlikeli, dengesiz bir durumu önlemek için, depolama sepetine 4,5 kg ve depolama cebine 0,45 kg ağırlıktan fazlasını koymayın.

Yeni doğmuş bebekler için en yatık pozisyonu **KULLANIN**.

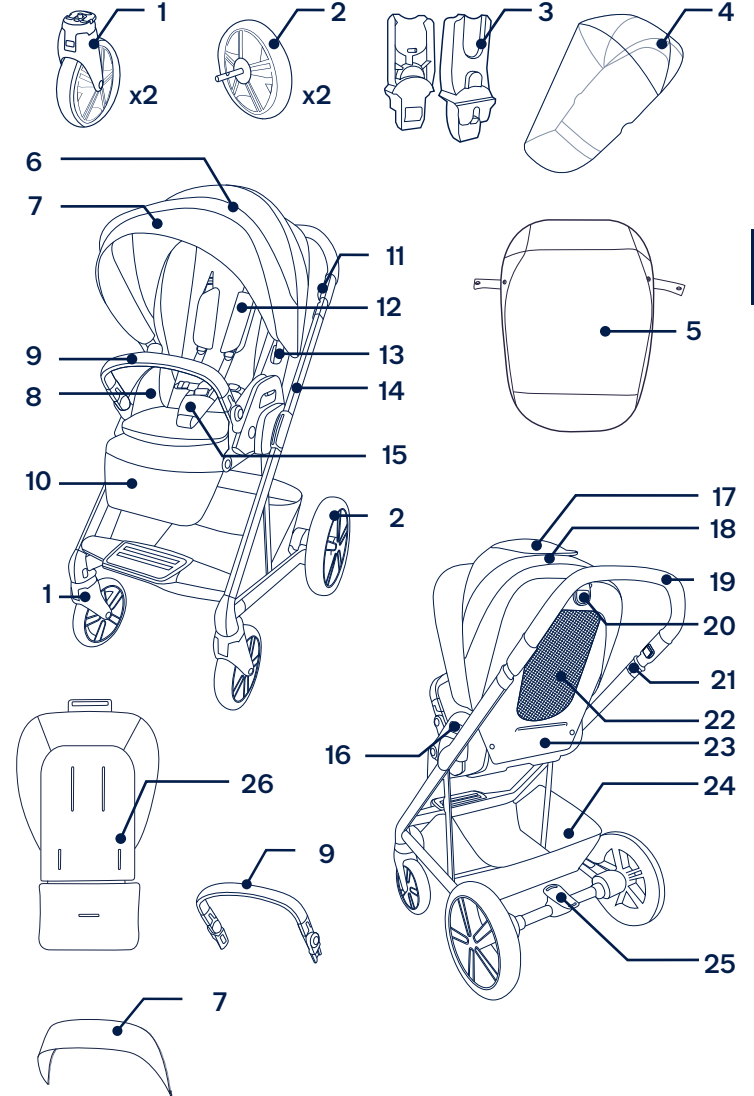
Bebek arabasını en fazla 22 kg ağırlığında bir çocukla kullanın. Sığmayan çocuk, bebek arabasında hasara neden olur.

Parça Listesi

Monte etmeden önce tüm parçaların hazır bulunduğundan emin olun. Eğer herhangi bir parça eksikse, lütfen yerel tedarikçiniz ile temasa geçin. Montaj için herhangi bir araç gerekli değildir.

! BOĞULMA TEHLİKESİ: Koruyucu uç kapaklarını her bir teker ve tekerlek göbeği aksından çıkarın ve hemen atın.

- | | |
|--------------------------|----------------------------|
| 1 Ön Teker (x2) | 14 Bebek Arabası Çerçevesi |
| 2 Arka Teker(x2) | 15 Toka ve Kasık Kılıfı |
| 3 Araba Koltuğu Adaptörü | 16 Koltuk Açma Düğmesi |
| 4 Yağmurluk | 17 Tente Penceresi |
| 5 Önlük | 18 Arka Tente Penceresi |
| 6 Tente | 19 Bebek Arabası Kolu |
| 7 Tente Siperi | 20 Yatırma Ayarı Düğmesi |
| 8 Koltuk Minderi | 21 Katlama Düğmesi |
| 9 Kolçak | 22 Koltuk Havalandırması |
| 10 Baldır Desteği | 23 Depolama Cebi |
| 11 Kulp Ayarlama Düğmesi | 24 Depolama Sepeti |
| 12 Omuz Donanımı Pedleri | 25 Fren Kolu |
| 13 Tente Klipsleri | 26 Eklenti |



Ürünün Kurulumu

Bebek Arabasını Açma

- 1 - Depolama mandalını (1)'de gösterildiği gibi açın. Tutamağı yanlardan kaldırın ve bebek arabasının arkasına döndürün. “Tık” sesi, bebek arabası çerçevesinin tamamen açık olduğu anlamına gelir. (2)
 - 2 - Koltuğun arkasındaki yaslama ayar düğmesini sıkın ve arkalıği dik konuma çevirin. (3)
- ! Devam etmeden önce, bebek arabasının tamamen açık olduğunu kontrol edin.

Gölgelik

- 1 - Tente siperini tentenin içine fermuarlayın. (4)
- 2 - Tente klipslerini, bebek arabasının yanlarındaki tente montaj parçalarına yerleştirin. “Tıklama” sesi tentenin tamamen takıldığı anlamına gelir. (5)

Ön Tekerlekler

- 1 - Ön tekerleği ön ayağın içine yerleştirin. “Tıklama” sesi tekerleğin tamamen takıldığı anlamına gelir. (6) Diğer tarafta aynı işlemi tekrarlayın.
- ! Tekerleği dışarıya çekerek sağlam bir şekilde takıldığından emin olun.
- 2 - Ön tekerleği çıkarmak için, serbest bırakma düğmesine basın (7)-1 ve ön tekerleği ön ayaktan ayırın. (7)-2

Arka Tekerlekler

- 1 - Arka tekerleği arka ayağın içine yerleştirin. “Tıklama” sesi arka tekerleğin tamamen takıldığı anlamına gelir. Diğer tarafta aynı işlemi tekrarlayın. (8)

- ! Tekerlekleri çekerek sağlam biçimde takıldıklarını kontrol edin.
- 2 - Arka tekerleği çıkarmak için, serbest bırakma düğmesine (9)-1 basın ve arka tekerleği arka ayaktan ayırın. (9)-2

Kolçak

- ! Çocuğu daima emniyet kemeriyle sabitleyin. Kolçak bir emniyet aracı değildir.
- 1 - Kolçağın uçlarını kolçak montaj parçaları ile hizalayın ve yerine oturuncaya kadar itin. “Tıklama” sesi kolçağın tamamen takıldığı anlamına gelir (10)
 - 2 - Kolçağı çıkarmak için kolçak serbest bırakma düğmelerine (11)-1 basın ve kolçağı yukarı kaldırın. (11)-2
 - 3 - Koltuk arkaya dönükken daha kompakt bir katlama yapmak için, kolçak ayar düğmelerine (12)-1 basın ve kolçağı yerine oturuncaya kadar aşağı doğru döndürün (12)-2 .
- ! Çocuk bebek arabasında iken kolçağı ASLA alçaltılmış/ katlanmış pozisyonda kullanmayın.

Tamamen monte edilen bebek arabası (13) numaralı şekilde gösterilmektedir.

Kurulum Denetimi

- Bebek arabası çerçevesinin mandalı açık
- Ön tekerlekler, arka tekerlekler sıkıca tutturulmuş
- Tente montaj parçası bebek arabası çerçevesine ve tente koltuk pedine takılmış
- Kolçak sağlam bir şekilde takılmış

Ürün Kullanımı

! Park freni bebek arabası durdurulduğunda ve çocuğu yerleştirirken ve sökerken **TAKILMALIDIR**.

Çocuğu Sabitleme

! Düşme veya kayma nedeniyle ciddi yaralanmaları önlemek için mutlaka emniyet kemeri kullanın. Kayışın doğru ayarlandığından ve çocuğunuzun sıkıca sabitlendiğinden emin olun. Çocuk ve omuz kayışı arasındaki mesafe yaklaşık bir parmak kalınlığında olmalıdır. Omuz kemerlerini **ÇAPRAZLAMAYIN**. Bu, çocuğun boynuna basınç uygular.

- 1 - Toka mandalını serbest bırakmak için tokadaki orta düğmeye basın, klipsleri çıkarın ve çocuğunuzu bebek arabasına yerleştirin. (14)
- 2 - Omuz tokasını ve kalça tokasını takın. (15)
- 3 - Omuz tokasını ve kalça tokasını tokenin mandalına sabitleyin ve karşı tarafta tekrarlayın. (16)
- 4 - Ayar kayışlarını çekerek sıkıştırın ve emniyet kemerini çocuğunuza sıkıca takın (17)-1. Sonra ayar kayışlarını dışarı çekin (17)-2.

Omuz Kayışı Konumu

- 1 - Üst omuz kayışı tokaları, ek ayar için yukarı ve aşağı hareket ettirilebilir. (18)

Kalça Kayışı

Sıkıca oturmayı sağlayacak kalça kayışını belirleyin. Gerekirse, kalça kayışı yuvasını değiştirin.

- 1 - Daha küçük bebekler bu konumu kullanır. (19)-1
- 2 - Daha büyük bebekler bu konumu kullanır (19)-2

Gölgelik

- 1 - Tenteyi açmak için tenteyi koltuğun önüne doğru çekin. Tenteyi kapatmak için geri itin. (20)
- 2 - Tente siperini gerektiği gibi ileri veya geri konumlandırın. Kullanılmadığında, kanopi siperini tentenin altına katlayın. (21)
- 3 - Ekstra gölge ve havalandırma sağlamak için tentenin üzerindeki fermuarı açın. (22)
- 4 - Havalandırma için, üst tente penceresi kapağını yukarı çevirin. (23)
- 5 - İlave havalandırma için, arka tente penceresi kapağını yukarı çevirin. (24)

Ön Döndürme Kilitleri

Ön döndürme kilitlerinin düz olmayan yüzeylerde kullanılması önerilir.

- 1 - Ön tekerleği öne bakacak şekilde kilitlemek için (25)-1 numaralı parçayı sıkın ve ön döndürme kilidini (25)-2 çekin. Kilitlemek için tekerleği hareket ettirmeniz gerekebilir.
- 2 - Kilidi açmak için ön döner kilidi içeri doğru bastırın. (26)

Fren

- 1 - Arka tekerlekleri kilitlemek için, fren kolundaki kırmızı alana bastırın. (27)
 - 2 - Arka tekerleklerin kilidini açmak için, fren kolundaki yeşil alana basın. (28)
- ! Bebek arabası durdurulduğunda daima fren uygulayın. Frenin devreye girdiğinden emin olmak için bebek arabasını hafifçe itin.

Tutma Kolu

Kolun 3 konumu vardır.

- 1 - Kolun yüksekliğini ayarlamak için kol ayar düğmelerine (29)-1 basın ve kolu yukarı veya aşağı çekin. (29)-2

Yatırma Ayarı

Arkalık için 5 tane yatırma pozisyonu vardır.

- 1 - Arkalığı yükseltmek veya alçaltmak için, yatırma ayar düğmesini sıkın ve koltuğu yukarı veya aşağı çekin. (30)

Baldır Desteği

Baldır desteği 2 kullanım konumuna sahiptir.

- 1 - Baldır desteğini yükseltmek için yukarı doğru kaldırın. (31)
- 2 - Baldır desteğini alçaltmak için yanlardaki ayar düğmelerine basın (32)-1 ve aşağı doğru bastırın. (32)-2

Eklenti

Sıcak havalarda daha iyi havalandırma için ağ dokulu oturma alanı sağlamak üzere ek parça çıkarılabilir.

- 1 - Eki çıkarmak için, ekin üzerindeki cırt cırtı koltuğun arkasından ayırın, kemerin tokasını çıkarın, kemeri kemer yuvalarından geçirin ve koltuk pedini çıkarın. (33)

! Arkalık tüpünü **ÇIKARMAYIN**.

Ters Koltuk

Koltuk arkaya veya öne dönük olarak kullanılabilir.

- 1 - Koltuk serbest bırakma düğmelerini sıkın ve koltuğu yukarı kaldırın. (34)
 - 2 - Koltuğu ters yönde çevirin ve yerine oturana kadar koltuk montaj kısımlarının üzerine yerleştirin. "Tıklama" sesi koltuğun takıldığı anlamına gelir. (35)
- ! Koltuğu çekerek, güvenli bir şekilde takıldığından emin olmak için kontrol edin.

Katlama

Katlamadan önce, tenteyi bebek arabasının arkasına doğru bastırın.

- 1 - Koltuğun arkasındaki yaslanma ayar düğmesini sıkın (36)-1 ve arkalığı kayıtlı konuma çevirin. (36)-2
- 2 - Katlama düğmelerini yukarı çekin (37)-1 ve katlamak için bebek arabasını ileri itin. (37)-2
- 3 - Bebek arabasını saklama mandalını saklama montaj parçasına takarak kilitleyin. (38)

Aksesuarlar

Araba Koltuğu Adaptörleri

Bebek arabasını Nuna bebek taşıyıcılarıyla birlikte kullanırken lütfen aşağıdaki talimatlara bakın.

- 1 - Adaptörleri takmak için, adaptörleri gösterildiği şekilde koltuk montaj parçasına takın. “**Tıklama**” sesi adaptörlerin kilitli olduğu anlamına gelir. **(39)**
- 2 - Bebek taşıyıcıyı takmak için, bebek taşıyıcıyı gösterildiği şekilde adaptörlere yerleştirin **(40)**, “**Tık**” sesi ekstra boşluğu sıfırla bebek taşıyıcının kilitlendiği anlamına gelir. **(41)**
- 3 - Bebek taşıyıcı açısı ayarlanabilir adaptörlerimizle ayarlanabilir. **(42)**
- 4 - Bebek taşıyıcıyı çıkarmak için, bebek taşıyıcıyı yukarı **(43)-2** kaldırırken bebek arabası serbest bırakma düğmelerine basın. **(43)-1**
- 5 - Adaptörleri çıkarmak için, adaptörleri yukarı kaldırırken **(44)-2** serbest bırakma düğmelerini çekerek ekstra mesafeyi sıfırlayın. **(44)-1**

Önlük

Yumuşak önlük, çocuğunuza sıcak ve rahat bir ortam sağlayabilir.

- 1 - Önlüğü koltuğun üzerine yerleştirin, önlüğün ve koltuğun **üzerindeki kopçaları sıkın (45)-1**, ters yönde işlemi tekrarlayın.
- 2 - Monte edilen önlük **(45)** numaralı şekilde gösterilmektedir.

Yağmurluk

Yağmurluğu takmadan önce tentenin tamamen açık olduğundan emin olun.

- 1 - Yağmurluğu kurmak için, bebek arabasının üzerine yerleştirin. **(46)**
- !** Yağmurluk ürünün üzerindeyken havalandırmayı **DAIMA** kontrol edin.
- Katlamadan önce **HER ZAMAN** yağmurluğun temizlenmiş ve kurumuş olduğunu kontrol edin.
- Yağmurluk takılıken bebek arabasını **KATLAMAYIN**.
- Sıcak havalarda yağmurluk takılıken çocuğunuzu bebek arabasına **YERLEŞTİRMEYİN**.

Temizlik ve Bakım

Çerçeveyi, plastik parçaları ve kumaşı nemli bir bezle temizleyin; ancak aşındırıcı madde veya çamaşır suyu kullanmayın. Kir ve pislikleri çekeceği için silikon yağlayıcılar kullanmayın. Bebek arabasını nemli bir yerde saklamayın.

Bebek arabasının tekerleklerini düzenli olarak suyla temizleyin ve kiri giderin.

Uzun süreli kullanımı garantilemek için, bu ürünü yağmurlu havalarda kullandıktan sonra yumuşak, emici bir bezle silin.

Yıkama ve kurutma talimatları için tekstil malzemelere yapıştırılmış bakım etiketine bakın.

Kumaşın güneş ışığından renk atması ve uzun süre kullanıldıktan sonra, normal kullanımda dahi aşınma ve yıpranma göstermesi normaldir.

Güvenlik nedeniyle, sadece orijinal Nuna parçalarını kullanın.

Her şeyin düzgün çalışıp çalışmadığını düzenli olarak kontrol edin. Herhangi bir parça yırtılmış, kırılmış veya eksikse, bu ürünü kullanmayı bırakın.

المحتويات

معلومات عن المنتج

- تسجيل المنتج
- الضمان
- جهات الاتصال

متطلبات الاستخدام الخاصة بالأطفال

تحذيرات

قائمة الأجزاء

إعداد المنتج

استخدام المنتج

الملحقات

- مهايئ مقعد السيارة
- غطاء
- الغطاء الواقي من المطر

التنظيف والصيانة

هام!
يرجى قراءة التعليمات بعناية
والاحتفاظ بها للرجوع إليها مستقبلاً

متطلبات الاستخدام الخاصة بالأطفال

عربة الأطفال هذه مناسبة للأطفال الذين يستوفون المتطلبات التالية:

منذ الميلاد حتى ٢٢ كجم أو ٤ سنوات أيهما أولاً.

عند استخدام إطار عربة الطفل مع سرير الطفل المتنقل MIXX أو حوامل الأطفال Nuna، راجع متطلبات الاستخدام مع الطفل المدرجة في أدلة تعليمات تلك المنتجات.

معلومات عن المنتج

رقم الطراز: _____

تاريخ التصنيع: _____

تسجيل المنتج

يرجى كتابة المعلومات الواردة أعلاه، ويوجد رقم الطراز وتاريخ التصنيع على ملصق أسفل إطار عربة الأطفال.

لتسجيل المنتج يرجى زيارة الموقع الإلكتروني التالي:

www.nunababy.com

انقر فوق رابط "تسجيل الجهاز" في الصفحة الرئيسية.

الضمان

لقد صممنا منتجاتنا بصورة عالية الجودة لتدوم مع طفلك وعائلتك، ولأننا ندعم منتجاتنا تم تغطية كل منها بضمان يبدأ من اليوم الذي تم شراؤها به؛ لذا يرجى أن يكون لديك إثبات الشراء ورقم الطراز وتاريخ التصنيع عند الاتصال بنا.

لمزيد من المعلومات عن الضمان يرجى زيارة الموقع:

www.nunababy.com

انقر فوق رابط "الضمان" في الصفحة الرئيسية.

جهات الاتصال

للحصول على الاستفسارات المتعلقة بقطع الغيار أو الخدمة أو استفسارات الضمان الإضافية يرجى الاتصال بمركز خدمة العملاء.

info@nunababy.com

www.nunababy.com

⚠️ تحذير!

قد يؤدي عدم مراعاة هذه التحذيرات والتعليمات إلى وقوع إصابات بالغة أو الوفاة.

احرص دائماً على استخدام نظام تقييد حركة الطفل.

تحقق من صحة تعشيق هيكل العربة أو وحدة المقعد أو أدوات تثبيت المقعد قبل الاستخدام.

تجنب عبث الطفل بهذا المنتج.

تأكد من تأمين كافة أجهزة القفل قبل الاستخدام.

يُحظر بتاتاً ترك طفلك دون مراقبة.

هذا المنتج غير مناسب للاستخدام أثناء الجري أو التزلق.

تأكد من إبعاد الطفل عند بسط العربة أو طيها لتجنب إلحاق أي ضرر به.

يجب عدم استخدام قطع الغيار غير المعتمدة من قبل الجهة المصنعة. تجنب استخدام قطع غيار غير القطع المرفقة أو الموصى بها من قبل الجهة المصنعة أو الموزع.

يجب التركيب بواسطة شخص بالغ.

احرص دائماً على تعشيق المكابح عند التوقف.

لن يتم تغطية أي ضرر ناتج عن استخدام الملحقات التي لا توفرها شركة Nuna من حيث الضمان.

لا تربط أشياء بالمقبض أو ظهر المقعد أو جوانب عربة الأطفال لأنها ستؤثر على ثباتها.

تأكد من فرد العربة بالكامل وتثبيتها باستخدام المزلاج قبل السماح للطفل بالاقتراب منها.

تجنّب حمل أطفال أو سلع أو إكسسوارات إضافية بالعربة ما عدا ما هو مسموح به في هذا الدليل، حيث قد يتسبب ذلك في إخلال توازنها.

تجنّب ترك عربة الأطفال في مكان قريب من مصدر حرارة قوي كجهاز الإشعاع أو مصادر اللهب المكشوفة.

تجنّب وضع أي جسم على المظلة.

تجنّب تخزين عربات الأطفال في مكان رطب. اترك دائماً القماش حتى يجف بشكل طبيعي بعيداً عن الحرارة المباشرة.

تجنّب وضع الطفل داخل سلة التخزين.

تجنّب استخدام العربة في حالة تلف أحد مكوناتها أو فقدانها.

لا تستبدل هذه العربة بسرير الطفل أو الفراش وذلك في مقاعد السيارات المقترنة بهيكل السيارة. وفي حالة رغبة الطفل في النوم، يجب وضعه في عربة الطفل أو حقيبة حمل أو سرير ملائمين.

يرجى حفظ الأجسام الصغيرة بعيداً عن متناول الأطفال؛ وذلك لأنها تعرضهم لخطر الاختناق.

احرص على السير بعناية بالعربة على الأرصفة والأرض القاسية، حيث تؤدي الارتطامات المتكررة إلى تلف العربة.

يُحظر السماح للأطفال بالوقوف فوق العربة.

يُحظر حمل أكثر من طفل واحد في وقت واحد في عربة الأطفال.

يُحظر استخدام عربة الأطفال على الدرج أو السلالم الكهربائية، حيث قد تفقد فجأة السيطرة على العربة، أو قد يسقط طفلك.

احرص دائماً على ربط الحزام وضبطه بطريقة صحيحة. لا يُعني استخدام الحزام غض النظر عن إشراف الراشدين.

يجب تعشيق المكابح عند وضع الطفل في العربة وإخراجه منها.

قد يتسبب التحميل الزائد والطي غير الصحيح واستخدام ملحقات -مثل مقاعد الأطفال وحملات الحقيبة وأغطية المطر وألواح العربات وغيرها... بخلاف تلك المعتمدة من قبل شركة Nuna في تلف عربة الأطفال أو جعلها غير آمنة.

قد تترك الإطارات المطاطية علامات سوداء على الأسطح الملساء كالأرضية الخشبية والأرضيات المؤلفة من صفائح رقيقة والمشمع.

لتفادي الاختناق تجنّب وضع أي أجسام مزودة بسلاسل حول عنق الطفل أو تعليق حبال أو أسلاك من هذا المنتج أو ربط حبال بالألعاب.

لتجنّب خطر الاختناق قم بإزالة جميع الأغطية البلاستيكية قبل استخدام هذا العربة والتخلص منها أو إبعادها عن الأطفال والرضع.

لتفادي الحالات الخطرة أو غير المستقرة تجنّب وضع عناصر يزيد وزنها على ٤,٥ كجم في سلة التخزين وأكثر من ٠,٤٥ كجم (١ رطل) في جيب التخزين.

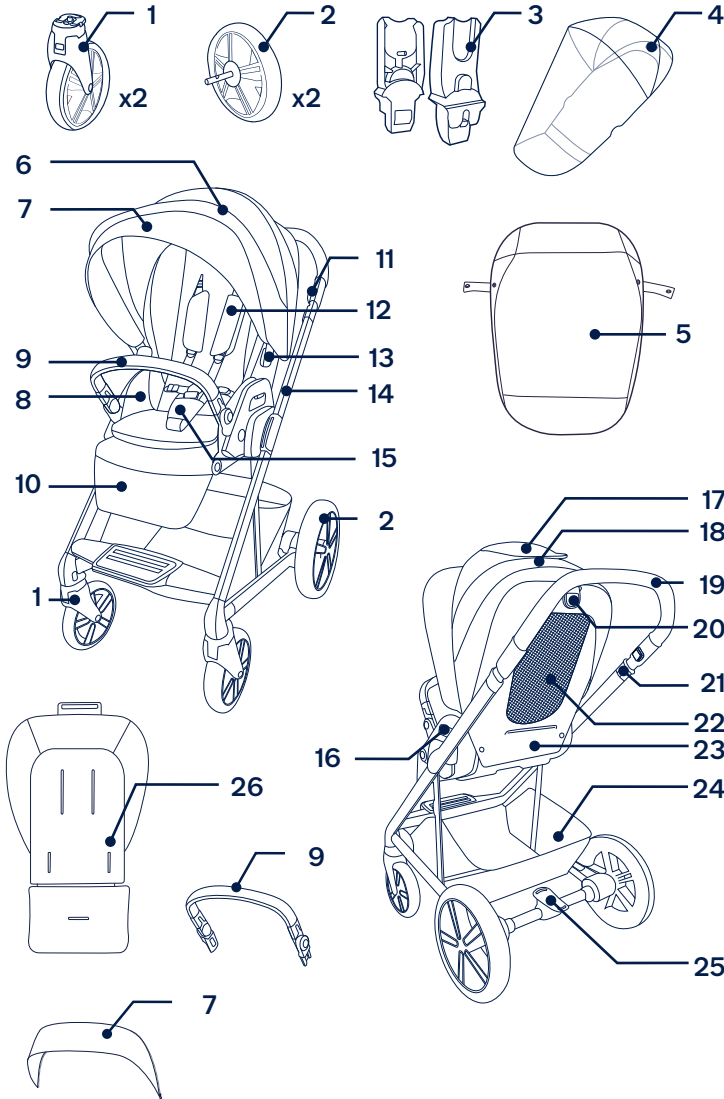
يُوصى باستخدام وضعية الإمالة المُصممة خصيصاً للأطفال حديثي الولادة.

استخدم عربة الأطفال هذه مع أطفال لا يزيد وزنهم عن ٢٢ كجم. حيث إن استخدام العربة لحمل طفل زائد الوزن سيؤدي إلى تلفها.

قائمة الأجزاء

يُرجى التأكد من توفر كل الأجزاء قبل التركيب، في حالة فقد أحد مكونات العربة، يرجى الاتصال بالموزع المحلي. ولا يلزم استخدام أي أدوات لإجراء عملية التركيب.

! خطر الاختناق: احرص على إزالة الأغشية الطرفية الواقية الموجودة على كل عجلة وكل محور من محاورها وتخلص منها فوراً.



- | | | | |
|----|------------------------|----|----------------------------|
| 1 | عدد ٢ عجلة أمامية | 15 | غطاء مفرق الساقين والإبزيم |
| 2 | عدد ٢ عجلة خلفية | 16 | زر تحرير المقعد |
| 3 | مهايئ مقعد السيارة | 17 | نافذة المظلة العلوية |
| 4 | الغطاء الواقي من المطر | 18 | نافذة المظلة الخلفية |
| 5 | الغطاء | 19 | مقبض العربة |
| 6 | المظلة | 20 | زر ضبط الإمالة |
| 7 | واقى المظلة | 21 | زر الطي |
| 8 | وسادة المقعد | 22 | فتحات تهوية المقعد |
| 9 | مسند الذراع | 23 | جيب التخزين |
| 10 | دعامة القدمين | 24 | سلة التخزين |
| 11 | زر ضبط المقبض | 25 | ذراع الفرامل |
| 12 | بطانات أحزمة الكتف | 26 | البطانة |
| 13 | مشابك المظلة | | |
| 14 | إطار عربة الأطفال | | |

إعداد المنتج

فتح العربية

- 1 - افتح مزلاج التخزين كما هو موضح (1)، ارفع لأعلى من المقبض على كلا الجانبين وأدر إلى مؤخرة العربية. يشير صوت «نقرة» إلى فتح إطار العربية بالكامل. (2)
 - 2 - اضغط على زر ضبط الإمالة الموجود في الجزء الخلفي من المقعد، ثم دور مسند الظهر على الوضع القائم. (3)
- ! تأكد من فتح العربية بالكامل قبل المتابعة.

المظلة

- 1 - قم بطي واقي المظلة إلى داخل المظلة. (4)
- 2 - أدخل مشابك المظلة في حوامل المظلة الموجودة على جانبي عربية الأطفال، ويشير سماع صوت "نقرة" إلى أنه قد تم تركيب المظلة بالكامل. (5)

العجلات الأمامية

- 1 - ادخل العجلة الأمامية في الرجل الأمامية، يشير سماع صوت "نقرة" إلى أنه قد تم تركيب العجلة بالكامل، (6) وكرر ذلك على الجانب الآخر.

! تأكد من إحكام ربط العجلة عن طريق سحبها للخارج.

- 2 - لإزالة العجلة الأمامية اضغط على زر التحرير (7)-1، وافصلها من الرجل الأمامية. (7)-2

العجلات الخلفية

- 1 - ادخل العجلة الخلفية في الرجل الخلفية، ويشير سماع صوت "نقرة" إلى أنه قد تم تركيب العجلة الخلفية بالكامل، وكرر ذلك على الجانب الآخر. (8)

! تأكد من إحكام ربط العجلات عن طريق سحبها للخارج.

- 2 - لإزالة الخلفية الأمامية اضغط على زر التحرير (9)-1، وافصلها من الرجل الخلفية. (9)-2

ذراع

! احرص دائمًا على تثبيت الطفل بإحكام باستخدام الحزام، حيث إن مسند الذراع ليس أداة للتثبيت.

- 1 - قم بمحاذاة نهايات مسند الذراع مع حوامله، وأدخلها حتى تستقر في مكانها، يشير سماع صوت "نقرة" إلى أنه قد تم تركيب مسند الذراع بالكامل. (10)
- 2 - لإزالة مسند الذراع اضغط على أزرار تحريره (11)-1 وارفعه لأعلى. (11)-2
- 3 - لطي المقعد بطريقة أكثر إحكامًا عندما يكون متجهًا إلى الخلف اضغط على أزرار ضبط مسند الذراع (12)-1، ثم قم بتدويره لأسفل (12)-2 حتى يستقر في مكانه.

! يُحظر استخدام مسند الذراع في الوضع المنخفض/المطوي عندما يكون الطفل في العربية.

تم توضيح تعليمات تركيب العربية بالكامل كما هو موضح في (13).

التحقق من الإعدادات

- | | |
|--------------------------|--|
| <input type="checkbox"/> | إطار العربية مفتوح. |
| <input type="checkbox"/> | العجلات الأمامية والخلفية مركبة بإحكام. |
| <input type="checkbox"/> | حامل المظلة مثبت على إطار عربة والمظلة مثبتة على وسادة المقعد. |
| <input type="checkbox"/> | مسند الذراع مثبت بإحكام. |

استخدام المنتج

! يجب تشبيك المكايح عند وضع الطفل في العربة أو إخراجها منها وعندما تكون العربة متوقفة.

تثبيت الطفل

! احرص على استخدام حزام الأمان دائماً لتفادي وقوع الإصابات البالغة الناتجة عن الوقوع أو الانزلاق.

تأكد من ضبط الحزام ضبطاً صحيحاً وأن الطفل مثبت بإحكام، وتأكد من أن المسافة بين الطفل وحزام الكتف تساوي سُمك إصبع واحدة تقريباً. **تجنب** عكس أحزمة الكتف، فهذا سيؤدي إلى الضغط على رقبة الطفل.

١ - اضغط على الزر الأوسط الموجود على الإبزيم لتحرير قفل الإبزيم، ثم قم بإزالة المشابك، وضع الطفل في العربة. (١٤)

٢ - وصل إبزيم الكتف وإبزيم الورك. (١٥)

٣ - ثبت إبزيم الكتف وإبزيم الورك باستخدام القفل، وكرر ذلك على الجانب الآخر. (١٦)

٤ - ثبت الأحزمة على الطفل، وذلك عن طريق سحب أشرطة الضبط لتشدّد الحزام (١٧)-١، ثم اسحب أشرطة الضبط الموجودة على الخصر للخارج (١٧)-٢.

وضع حزام الكتف

١ - يمكن تحريك أباريم حزام الكتف العلوية لأعلى ولأسفل لإحكام التثبيت. (١٨)

حزام مفرق القدمين

حدد فتحة حزام مفرق القدمين الملائمة، وغيرها إذا لزم الأمر.

١ - الوضع الملائم للأطفال الأصغر حجماً (١٩)-١

٢ - الوضع الملائم للأطفال الأكبر حجماً. (١٩)-٢

المظلة

١ - لفتح المظلة اسحبها باتجاه مقدمة المقعد، ولطيها ادفعها للخلف (٢٠)

٢ - ضع واقي المظلة باتجاه الأمام أو الخلف حسب الحاجة، وعندما لا يكون قيد الاستخدام، قم بطيه أسفل المظلة. (٢١)

٣ - افتح السوستة الموجودة على المظلة لتوفير مزيد من الظل والتهوية. (٢٢)

٤ - لتوفير تهوية اقلب غطاء نافذة المظلة العلوي لأعلى. (٢٣)

٥ - لتوفير قدر أكبر من التهوية اقلب غطاء نافذة المظلة الخلفي لأعلى. (٢٤)

الأقفال الدوارة الأمامية

يُوصى باستخدام الأقفال الدوارة الأمامية على الأسطح غير المستوية.

١ - اضغط (٢٥)-١ واسحب القفل الدوار الأمامي للخارج (٢٥)-٢ لقفل العجلات الأمامية الموجه للأمام، وقد تحتاج إلى تحريك العجلة لإغلاقها.

٢ - اضغط على القفل الدوار الأمامي لفتحه. (٢٦)

- ١ - لغلاق العجلات الخلفية اضغط على المنطقة الحمراء بذراع الفرامل لأسفل. (٢٧)
 - ٢ - لفتح العجلات الخلفية اضغط على المنطقة الخضراء بذراع الفرامل لأسفل. (٢٨)
- ! احرص دائماً على تعشيق الفرامل عندما تكون عربة الأطفال متوقفة، وادفع العربة قليلاً للتأكد من تعشيق الفرامل.

المقبض

- توجد ٣ وضعيات لضبط المقبض.
- ١ - لضبط ارتفاع المقبض اضغط أزرار ضبط المقبض (٢٩)-١ واسحب المقبض لأعلى أو لأسفل. (٢٩)-٢

ضبط الإمالة

- صُمم مسند الظهر بخمس زوايا إمالة.
- ١ - لرفع مسند الظهر أو خفضه اضغط على زر ضبط الإمالة، واسحب المقعد لأعلى أو لأسفل. (٣٠)

دعامة القدمين

- توجد وضعيتان لمسند الساق.
- ١ - لرفع مسند الساق ارفعه لأعلى. (٣١)
 - ٢ - لخفض مسند الساق اضغط على أزرار الضبط الموجودة على الجوانب (٣٢)-١، وادفعها لأسفل. (٣٢)-٢

البطانة

- يمكن إزالة البطانة لتوفير منطقة جلوس شبكية لتهوية أفضل أثناء الطقس الحار.
- ١ - لإزالة البطانة حرر حزام الفيلكرو الموجود على الجزء الخلفي من المقعد، وفك إبرزيم الحزام، ومرر الحزام عبر فتحاته، ثم أزل وسادة المقعد. (٣٣)
- ! تجنّب إزالة أنبوب مسند الظهر.

عكس المقعد

- يمكن استخدام المقعد بحيث يكون موجهاً للأمام أو الخلف.
- ١ - اضغط على أزرار تحرير المقعد، وارفع المقعد لأعلى. (٣٤)
 - ٢ - دور المقعد في الاتجاه المعاكس، وقم بوضعه على حوامل المقعد حتى يستقر في مكانه، ويشير سماع صوت "نقرة" إلى أن المقعد قد تم تثبيته. (٣٥)
- ! تأكد من أن المقعد مثبت بإحكام عن طريق سحبه لأعلى.

الطيّ

- قبل الطي ادفع المظلة باتجاه الجزء الخلفي من العربة.
- ١ - اضغط على زر ضبط الإمالة الموجود في الجزء الخلفي من المقعد (٣٦)-١، ثم حرك مسند الظهر على وضع التخزين. (٣٦)-٢
 - ٢ - اسحب زر الطيّ لأعلى (٣٧)-١ وادفع العربة إلى الأمام لطبيها. (٣٧)-٢
 - ٣- اقل العربة عن طريق إدخال مزلاج التخزين في منطقة التخزين. (٣٨)

مهايئات مقعد السيارة

عند استخدام عربة الأطفال مع حوامل الأطفال من Nuna يرجى اتباع الإرشادات التالية.

- ١ - لتثبيت المهايئات ضعها على حوامل المقاعد كما هو موضح، ويشير سماع صوت "نقرة" إلى أن المهايئات قد تم تركيبها. (٣٩)
- ٢ - لتثبيت حامل الطفل ضعه على المهايئات كما هو موضح في (٤٠)، ويشير سماع صوت "نقرة" إلى أن الحامل قد تم تركيبه. (٤١)
- ٣ - يمكن ضبط زاوية حامله الأطفال الرضع باستخدام مهايئات قابلة للتعديل. (٤٢)
- ٤ - لإزالة حامل الطفل ارفعه لأعلى (٤٣)-٢ مع الضغط على أزرار تحرير العربة. (٤٣)-١
- ٥ - لإزالة المهايئات ارفعها لأعلى (٤٤)-٢ مع الضغط على أزرار التحرير. (٤٤)-١

غطاء عربة

يوفر الغطاء الناعماً أجواء مريحة ودافئة لطفلك.

- ١ - ضع الغطاء فوق المقعد، وثبت المشابك فوق الغطاء والمقعد (٤٥)-١، ثم كرر ذلك على الجانب الآخر.
- ٢ - يعرض الشكل (٤٥). الغطاء بعد تركيبه.

الغطاء الواقي من المطر

تأكد من أن المظلة مفتوحة تمامًا قبل تثبيت الغطاء الواقي من المطر.

- ١ - لتثبيت الغطاء الواقي من المطر ضعه أعلى عربة الأطفال. (٤٦)

! احرص دائماً على فحص منفذ التهوية في حالة وجود الغطاء الواقي من المطر على المنتج.

احرص دائماً على التأكد من تنظيف الغطاء الواقي من المطر وتجفيفه قبل طيه.

يُحظر طي عربة الأطفال حال كون الغطاء الواقي من المطر مركباً.

يُحظر وضع الطفل في عربة الأطفال في الطقس الحار مع غطاء المطر مركباً.

التنظيف والصيانة

نظّف الإطار والأجزاء البلاستيكية والقماش بقطعة قماش مبللة، ولكن لا تستخدم المواد الكاشطة أو المبيضة. لا تستخدم مواد التشحيم المصنوعة من السيليكون لأنها ستجذب الأوساخ والسخام. تجنّب تخزين عربات الأطفال في مكان رطب.

نظف عجلات العربة بانتظام بالماء، واحرص على إزالة أي أوساخ.

لضمان الاستخدام طويل الأمد امسح المنتج بقطعة قماش ناعمة وماصة بعد استخدامه في الطقس الممطر.

راجع الملصقات المرفقة التي توضح كيفية العناية بقماش حمالة الأطفال للحصول على إرشادات حول الغسيل والتجفيف.

من الطبيعي تغير لون الأقمشة نتيجة تعرضها لأشعة الشمس وظهور علامات البلى بعد فترة طويلة من الاستخدام حتى عند استخدامها بشكل طبيعي.

لأسباب تتعلق بالسلامة يرجى استخدام الأجزاء الأصلية فقط من Nuna.

تحقق باستمرار من أن كل شيء يعمل بشكل صحيح. إذا كان هناك أي أجزاء ممزقة أو مكسورة أو مفقودة، فتوقّف عن استخدام هذا المنتج.

중요!
**향후 제품 이용 시 참조를
 위해 본 사용설명서를 보관해
 주시기 바랍니다!**
자세히 읽어주세요!

내용

제품 정보	401
제품 등록	
품질보증	
문의처	
아이 사용 연령	402
경고	403
부품 리스트	407
제품 설치	409
제품 사용	411
액세서리	415
카시트 어댑터	
풋머프	
레인 커버	
세탁 및 유지 보수	417

제품 정보

모델번호: _____

제조일자: _____

제품 등록

위의 정보를 적어주세요. 모델 번호와 유모차 차체 아래 부분에 위치한 라벨에 있습니다. 제품 등록을 원하시면 이 곳을 방문해 주십시오.

국내: www.nunababy.co.kr

KO

품질 보증

뉴나의 제품은 고객과 그 가족 모두가 안전하게 사용할 수 있도록 높은 품질로 설계되었습니다. 구매하신 뉴나 제품은 구입 일로부터 1년 간 품질 보증 서비스가 제공됩니다. (패브릭 AS 불가) 저희에게 연락 전에 구매 증빙자료, 모델 번호와 시리얼 번호를 준비해 주십시오. 품질 보증과 관련된 정보를 얻으려면 이곳을 방문해 주십시오.

국내: www.nunababy.co.kr

문의처

부품 교체, 서비스, 또는 추가적인 품질 보증 관련 질문이 있으시면, 고객센터로 문의해 주시기 바랍니다.

뉴나 코리아 본사

www.nunababy.co.kr

고객센터: 카카오톡 플러스친구 @에이원베이비 1대1상담 진행

AS 센터: 031-318-1008

아이 사용 연령

유모차는 다음 연령의 아이가 사용 가능합니다:

사용 연령:

한국 안전 KC 기준 신생아~15kg 또는 약 36개월 까지

유럽 안전 EN 1888-2:2018 기준 신생아~22kg 또는 약 만 4세 까지

유모차 프레임을 캐리콧 또는 뉴나 신생아 카시트와 호환하여 사용 시, 사용 설명서에 나와 있는 사용 연령 기간을 참고하시기 바랍니다.

KO

⚠ 경고

다음 경고와 지시사항을 따르지 않으면 심각한 부상이나 사망을 초래할 수 있습니다.

안전장치 시스템을 항상 사용하기 바랍니다.

제품을 사용하기 전 유모차 시트 또는 카시트 부분이 올바르게 연결이 되었는지 확인하시기 바랍니다.

아이가 유모차를 가지고 놀지 못하게 하십시오.

제품을 사용하기 전 모든 잠금장치를 확인하십시오.

절대로 유모차에 아이를 혼자 두지 마십시오.

본 유모차는 스케이팅이나 조깅용으로는 적합하지 않습니다.

유모차를 접거나 펼 때에는 아이가 다칠 수 있으니 유모차 근처에 두지 마십시오.

뉴나 정품 부품과 액세서리를 사용하고 뉴나가 인증하지 않은 액세서리를 사용하지 마십시오.

반드시 성인이 조립하여 주십시오.

유모차 정차 시에는 항상 브레이크를 걸어 주십시오.

뉴나가 인증하지 않은 액세서리를 사용하여 제품의 손상이 발생한 경우 품질 보증을 받으실 수 없습니다.

핸들이나 시트 등받이, 또는 유모차 측면에 짐을 올리게 되면 유모차 안전성에 영향을 줍니다.

아이가 유모차에 가까이 가기 전 유모차의 모든 부품들이 완전하게 조립이 되었는지 먼저 확인하십시오.

본 유모차 이용 시 한 번에 한 아이만 사용하고, 추가의 짐, 액세서리 등 사용설명서에서 언급하지 않은 것은 유모차에 태우거나 걸지 마십시오. 유모차를 불안정하게 만들 수 있습니다.

본 제품은 고온의 물건이나, 액체, 또는 전기 제품과 거리를 두어 보관하십시오.

차양막 위에 어떠한 물건도 올리지 마십시오.

습기가 많은 곳에서 유모차를 보관하지 마십시오. 항상 햇볕에 말리고 열기를 직접 사용하지 마십시오.

유모차 장바구니에 아이를 태우지 마시오.

본 제품이 손상되거나 고장 난 경우에는 사용하지 마십시오.

유모차 차체 프레임을 신생아 카시트와 호환하여 사용할 경우 카시트를 침대로 사용할 수 없습니다. 아이가 잠을 자야 할 경우에는 아기가 잘 수 있는 조건의 유모차, 캐리콧 또는 아기 침대로 옮겨 주십시오.

조그만 부품들은 질식의 위험이 있기 때문에 아이들의 손이 닿지 않는 곳에 보관하시기 바랍니다.

오르막길이나 내리막길, 커브 길에서는 특히 더 조심하십시오. 유모차에 지속적인 충격이 전달되면 유모차에 손상을 줄 수 있습니다.

절대로 아이가 유모차에서 서지 못하게 하십시오.

본 유모차 이용 시 반드시 한 아이만 사용하기 바랍니다.

절대로 유모차를 계단이나 에스컬레이터에서 사용하지 마십시오. 유모차를 통제하지 못해 아이가 유모차에서 떨어질 수 있습니다.

안전벨트는 항상 정확하게 아이의 신체 사이즈에 맞추어 사용해야 합니다. 안전벨트를 메었다고 해도 아이를 혼자 두지 마십시오.

아이를 태우고 내릴 때에는 주차 브레이크를 반드시 사용하십시오.

과적, 잘못된 폴딩 방법, 그리고 뉴나가 인증하지 않은 액세서리를 (예: 유모차 라이더, 유모차 고리, 레인 커버 등) 사용하게 되면 유모차에 손상을 줄 수 있으며 유모차가 안전하지 못할 수 있습니다.

고무 타이어는 쪽매 세공, 합판, 리놀륨 등으로 만들어진 부드러운 바닥에 타이어 자국을 남길 수 있습니다.

질식 위험 아이의 목 주위에 부주의로 아이를 질식시킬 수 있는 물건들이 없도록 해주십시오. (예, 안전벨트를 채우지 않은 어깨 벨트, 장난감에서 나오는 끈 종류 등)

질식의 위험이 있기 때문에 사용 전 모든 비닐 커버와 포장지들을 제거하십시오. 비닐 커버와 포장지들은 아이의 손에 닿지 않는 곳에 보관하십시오.

장바구니에 4.5kg 이상의 짐을 올리지 마시고 또한 시트 등받이 주머니에 0.45kg 이상의

짐을 넣지 마십시오. 유모차가 불안정하여 위험을 초래할 수 있습니다.

신생아가 유모차를 사용하는 경우 시트를 가장 눕혀서 사용하는 것을 권장합니다.

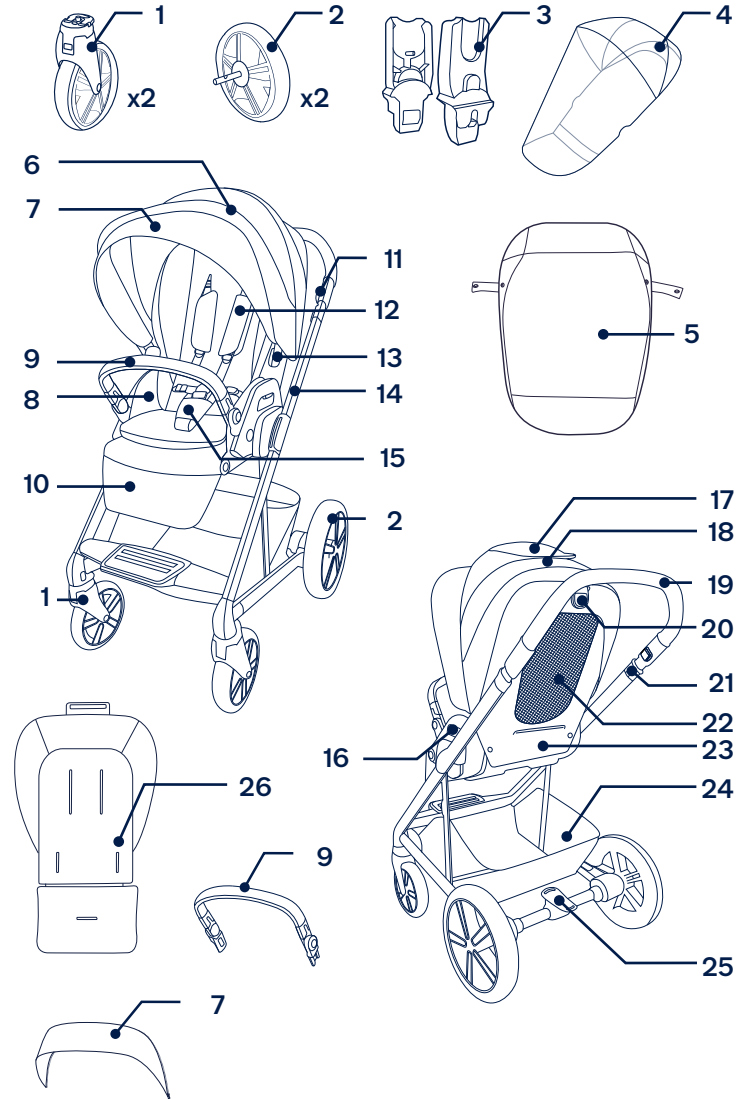
본 유모차는 아이가 22kg까지 사용 가능합니다. 권장 사용 무게 이상의 아이를 태울 경우 유모차에 손상을 줄 수 있습니다.

부품 리스트

조립하기 전에 모든 부품들이 있는지 확인하십시오. 만약 어떤 부품이 없다고 하면 본사에 연락하시기 바랍니다. 조립 시에는 추가적인 도구가 필요하지 않습니다.

! 질식 위험: 모든 비닐 커버와 포장지들을 바로 제거하십시오

- | | |
|----------------|-----------------|
| 1 앞바퀴 (2개) | 14 유모차 차체 프레임 |
| 2 뒷바퀴(2개) | 15 안전벨트, 가랑이 커버 |
| 3 카시트 어댑터 | 16 시트 분리 버튼 |
| 4 레인 커버 | 17 상단 아이 관찰창 |
| 5 풋머프 | 18 하단 아이 관찰창 |
| 6 차양막 | 19 유모차 핸들 |
| 7 보조 차양막 | 20 등받이 각도 조절 버튼 |
| 8 시트 패드 | 21 폴딩 버튼 |
| 9 안전 가드 | 22 시트 통풍창 |
| 10 발판 지지대 | 23 보관 주머니 |
| 11 핸들 높이 조절 버튼 | 24 장바구니 |
| 12 어깨 벨트 패드 | 25 브레이크 조절 레버 |
| 13 차양막 클립 | 26 이너 시트 |



제품 설치

유모차 펴기

- 1- 고정 걸이를 풀러 분리하십시오. (1) 핸들을 위로 올려줍니다. 딸깍 소리가 나면 유모차 차체 프레임이 완전히 펼쳐진 것입니다. (2)
 - 2- 시트 뒷부분에 있는 조절 버튼을 눌러 시트 각도를 최대한 세워 주십시오. (3)
- ! 사용하기 전에 유모차 차체 프레임이 완전하게 펴졌는지 확인하십시오.

차양막

- 1- 보조 차양막을 차양막에 지퍼로 연결하십시오. (4)
- 2- 유모차 측면에 차양막 연결 클립 부분을 사용해 차양막을 끼워주십시오. 딸깍 소리가 나면 차양막이 완전하게 연결된 것입니다. (5)

앞바퀴

- 1- 앞바퀴를 앞바퀴 다리 부분에 끼워 주시기 바랍니다. 딸깍 소리가 나면 완전하게 연결된 것입니다. (6) 다른 쪽도 같은 방법으로 연결하십시오.

! 바퀴가 빠지지 않는지 확인하십시오.

- 2- 앞바퀴를 빼려면 해제 버튼 (7)-1 을 누르고 앞바퀴를 앞바퀴 다리 부분에서 해제하십시오. (7)-2

뒷바퀴

- 1- 뒷바퀴를 뒷바퀴 다리 부분에 연결하십시오. 딸깍 소리가 나면 뒷바퀴 연결이 완전하게 된 것입니다. 다른 쪽 바퀴도 같은 방식으로 연결하십시오. (8)

- ! 바퀴가 확실하게 연결되었는지 당겨서 확인하십시오.
- 2- 뒷바퀴를 빼려면 해제 버튼 (9)-1 을 눌러서 뒷다리 부분에서 뒷바퀴를 빼십시오. (9)-2

안전 가드

- ! 아이를 유모차에 태울 시에 항상 안전벨트를 사용하십시오. 안전 가드는 안전장치가 아닙니다.
- 1- 안전 가드를 안전 가드 연결 부위에 연결하십시오. 딸깍 소리가 나면 안전 가드 설치가 된 것입니다. (10)
 - 2- 안전 가드를 분리하려면, 안전 가드 분리 버튼 (11)-1 을 누르고 안전 가드를 들어 올려 주십시오. (11)-2
 - 3- 마주보기 상태에서 더 작게 접으려면, 안전 가드 조절 버튼 (12)-1 을 누르고 안전 가드를 아래 방향으로 (12)-2 내려 주십시오.
- ! 마주보기 상태에서 유모차를 접거나 보관할 시에만 안전 가드 조절 버튼을 사용하시고 아이가 유모차에 타고 있을 때 절대로 사용하지 마시오.

설치 완료된 유모차는 아래 사진을 참고하십시오 (13).

모차 설치 확인

- 유모차 차체 프레임은 확실하게 펼쳐져 있는지 확인
- 앞바퀴, 뒷바퀴가 확실하게 연결되어 있는지 확인
- 차양막이 유모차 시트 프레임과 차양막이 시트 패드와 연결되어 있는지 확인
- 안전 가드가 확실하게 연결되어 있는지 확인

제품 사용

! 유모차를 정차할 때, 아이를 태우고 내릴 때에도 브레이크를 항상 사용하십시오

아이 안전 관련

! 낙상이나 아이가 유모차에서 미끄러지는 현상을 방지하기 위하여 항상 안전벨트를 사용하십시오.
아이가 안전벨트를 올바르게 착용했는지 확인하십시오.
아이와 어깨 안전벨트 사이의 두께는 손가락 한 개 정도입니다. 어깨 안전벨트를 X자로 연결하지 마십시오.
아이의 목에 무리를 줍니다.

- 1 - 버클 중앙의 버튼을 눌러 버클 래치를 분리하고, 클립을 뺀 후 아이를 유모차에 태웁니다. (14)
- 2 - 어깨 버클과 엉덩이 버클을 연결합니다. (15)
- 3 - 연결된 어깨 버클과 엉덩이 버클을 버클 래치에 연결하고 반대쪽도 동일하게 연결합니다. (16)
- 4 - 안전벨트를 아이 사이즈에 맞게 조절합니다 (안전벨트 커버 안쪽 아래) 버클 조절을 (17)-1 합니다. 그리고 허리 벨트도 조절합니다 (17)-2.

어깨 벨트 포지션

- 1 - 어깨 벨트 버클의 윗부분은 위, 아래로 조절이 가능합니다. (18)

가랑이 벨트

가랑이 벨트 연결 부위를 찾아 연결합니다. 가랑이 벨트 위치를 바꿔야 할 경우 변경 후 사용하십시오.

- 1 - 작은 아기들의 경우 이 포지션을 사용하십시오. (19)-1
- 2 - 큰 아기들의 경우 이 포지션을 사용하십시오. (19)-2

차양막

- 1 - 차양막을 시트 앞쪽 방향으로 당겨 펼쳐 주십시오. 차양막을 접으려면 뒤로 밀어 줍니다. (20)
- 2 - 보조 차양막 필요시에 전방 방향 또는 마주 보기 방향으로 변경합니다. 사용하지 않을 시에는 차양막을 접어 줍니다. (21)
- 3 - 추가적인 차양과 통풍이 필요하신 경우 지퍼를 열어 사용하시기 바랍니다. (22)
- 4 - 원활한 통풍을 위해 차양막 상단의 아이 관찰창을 열어 주십시오. (23)
- 5 - 추가적인 통풍을 위해 차양막 커버를 열어 주시기 바랍니다 (24)

앞바퀴 고정 장치

울릉불통한 지형을 주행할 시에 앞바퀴 고정 장치 사용을 권장합니다.

- 1 - 앞바퀴 고정 장치를 양옆에서 누른 후 (25)-1 앞으로 잡아당겨 (25)-2 줍니다. 바퀴를 돌려가며 앞바퀴가 정면을 향해 고정되도록 합니다.
- 2 - 앞바퀴 고정 장치를 폼니다. (26)

브레이크

- 1- 뒷바퀴를 고정시키려면 브레이크 레버에 빨간색 부분을 밟아 브레이크를 걸어 줍니다. (27)
 - 2- 뒷바퀴 브레이크를 풀려면 브레이크 레버에 녹색 부분을 밟아 브레이크를 풀어 줍니다. (28)
- ! 유모차를 정차 시킬 때에는 항상 브레이크를 사용하십시오. 브레이크가 걸렸는지 확인하기 위해 유모차를 앞으로 살짝 밀어 보십시오.

핸들

핸들은 3단계 포지션이 있습니다.

- 1- 핸들 높이를 조절하려면 핸들 조절 버튼 (29)-1을 누르고, 핸들의 높이를 위, 아래로 (29)-2 조절합니다.

등받이 조절

등받이 부분은 5단계 조절이 가능합니다.

- 1- 등받이를 위 또는 아래로 변경하려면 등받이 조절 버튼을 눌러 시트 높이를 위 또는 아래로 변경합니다 (30)

발 받침대

발 받침대는 2단계의 포지션이 있습니다.

- 1- 발 받침대를 위로 올리려면 위로 들어 줍니다 (31)
- 2- 발 받침대를 아래로 내리려면 발 받침대 조절 버튼을 (32)-1, 측면에서 누르면서 아래로 발 받침대를 내립니다. (32)-2

이너 시트

여름 동안 통풍이 원활한 메쉬 소재의 시트로 사용하려면 이너 시트를 분리해 주십시오.

- 1- 이너 시트를 분리하려면 시트 윗면에 있는 이너 시트 벨크로를 풀어줍니다. 안전벨트를 해제하고 안전벨트 연결 부분에서 시트 패드를 뺍니다. (33)
- ! 등받이의 받침대 부분은 제거하지 마십시오.

시트 방향 변경

시트는 마주 보기 또는 전방 보기로 사용이 가능합니다.

- 1- 시트 분리 버튼을 누른 상태에서 시트를 위로 올려 주십시오. (34)
 - 2- 시트를 반대 방향으로 돌린 후 시트 연결 부위에 맞추어 끼우면 반대 방향으로 설치됩니다. 딸깍 소리가 나면 연결이 된 것입니다. (35)
- ! 시트가 유모차 차체 프레임과 잘 연결되었는지 확인하려면 시트를 당겨 보십시오.

유모차 접기

유모차를 접기 전에 차양막을 유모차 뒤쪽으로 밀어 접어 주십시오.

- 1- 시트 등받이 부분에 있는 등받이 조절 버튼을 (36)-1 눌러 포지션을 변경하십시오. (36)-2
- 2- 유모차 폴딩 버튼 (37)-1을 사용해 유모차를 앞쪽으로 넘겨 접습니다. (37)-2
- 3- 유모차를 접고 나서 장바구니 래치를 위로 올려 걸어 주십시오. (38)

액세서리

카시트 어댑터

본 유모차를 뉴나 신생아 카시트와 같이 사용할 시에는 다음 사용 설명서를 참고하십시오.

- 1- 어댑터를 시트 연결 부위에 연결합니다. 딸깍 소리가 나면 연결이 된 것입니다. **(39)**
- 2- 아래 그림과 같이 신생아 카시트를 어댑터 부분에 연결합니다. **(40)**, 딸깍 소리가 나면 카시트가 잘 연결된 것입니다. **(41)**
- 3- 신생아 카시트의 등받이 각도는 조절 가능 어댑터를 사용하여 조절하실 수 있습니다. **(42)**
- 4- 신생아 카시트를 유모차에서 빼려면 유모차 해제 버튼 **(43)-1** 을 누른 채 신생아 카시트를 들어줍니다. **(43)-2**
- 5- 카시트 어댑터를 제거하려면 해제 버튼 **(44)-1** 을 누른 채 어댑터를 올립니다 **(44)-2**

KO

풋머프

부드러운 풋머프는 아이에게 따뜻하고 안정적인 환경을 제공해 줍니다.

- 1- 시트 위에 풋머프를 놓고 스냅을 채워 시트와 풋머프를 연결하십시오 **(45)-1**, 다른 방향도 같은 방법으로 연결하십시오.
- 2- 연결된 풋머프의 사진은 다음을 참고하십시오 **(45)**.

레인 커버

차양막이 완전히 열려 있는지 확인한 후 레인 커버를 설치하십시오.

- 1- 레인 커버로 유모차를 감싸는 형태로 설치해 주십시오. **(46)**

! 레인 커버를 사용할 때 제품에 통풍이 원활하게 되고 있는지를 항상 확인하십시오.

레인 커버를 접기 전에 항상 깨끗하게 청소하고 물기를 제거했는지 확인하십시오.

레인 커버가 설치된 상태에서 유모차를 접지 마십시오

더운 여름 날씨에 레인 커버를 설치한 상태에서 아이를 유모차에 태우지 마십시오.

KO

세탁 및 유지 보수

프레임, 플라스틱 부품, 그리고 오염된 패브릭은 젖은 천을 사용해서 닦을 수 있습니다. 그러나 표백제 및 연마제 사용은 금지합니다. 실리콘 윤활제 사용은 먼지, 거스러미를 초래할 수 있으므로 사용하지 마십시오. 유모차를 습한 공간에서 보관하지 마십시오.

유모차 바퀴는 정기적으로 물을 사용해서 닦아 먼지를 제거하십시오.

장기간 사용을 위해서 우천 시 유모차를 사용한 후 부드러운 천을 사용해 물기를 제거해 주십시오.

세탁과 건조 방법의 경우 원단에 부착되어 있는 라벨을 참조하십시오.

햇볕으로 인한 색상 변색 및 마모는 올바른 관리 시에도 발생할 수 있는 자연스러운 현상입니다.

안전상의 이유로 뉴나 정품 부품만을 사용해 주십시오.

일부 부품이 파손되거나 손실되거나 찢어진 부분이 없는지 규칙적으로 확인해 주시기 바랍니다. 만약 손상된 부분이 있다면 유모차 사용을 중지해 주십시오.

请妥善保存本说明书 以备不时之需!

使用产品前请仔细阅读本说明书, 并妥善保存以供日后参照。不依照本说明书的指示操作, 可能会影响到您宝宝的安全。

目录

产品资讯	421
保修与售后服务	
保修条件	
联络我们	
适用范围	422
警告	423
产品组件及各部件名称	427
安装手推车	429
产品使用	431
使用配件	435
汽车椅卡座	
脚套	
雨篷	
维修与保养	437

产品资讯

产品名称: _____

生产日期: _____

保修与售后服务

产品于保修期间内发生问题，请与零售商联络；若零售商无法提供服务，他们会联络当地的Nuna经销商。请留意产品脚踏板下方的产品型号与生产日期序号。当有保修需求时，请提供以上产品资讯。请至www.nunababy.com 网站登记您购买的产品。

保修条件

保修始于产品购买日。我们提供维修服务，但不提供产品退换，即使某些零件曾经过维修，也不会因此延长保修期限。Nuna有权利针对产品改善设计，此前制造的产品则无更换之义务。

相关保修资讯，详见官网：
www.nunababy.com

联络我们

我们期望不断改进并开发新的产品，请随时告知您对Nuna产品的意见和建议。

info@nunababy.com
www.nunababy.com

适用范围

宝宝需要满足下列要求：

重量: 新生儿-22kg

年龄: 0-48个月

警告

Nuna MIXX next 手推车拥有专利并符合国家安全标准 GB 14748 - 2006 《儿童推车安全要求》和欧盟安全标准 EN 1888-2:2018相关规范。

重要:请务必依照产品说明书和警告以避免导致严重伤害甚至是死亡事件发生。

宝宝的安全是您的责任。

当宝宝乘坐时，看护人不要离开。

本产品须由成人进行组装。

为避免手指夹伤问题，收合及展开手推车时，请务必小心。

请勿将任何绳索或索带类物件悬挂于宝宝颈部附近，或扣在产品上，以免导致宝宝意外窒息。

使用前，请确保所有锁定装置都已处于锁定状态。

本产品适用于刚出生及体重不超过22公斤的宝宝使用。

产品一次仅能乘坐一位宝宝。

请勿于车把上加装附载任何物品，以避免造成手推车的_不稳定。本产品不适合在跑步或溜冰时使用。

使用手推车之前，请务必去掉、销毁或是将所有附加包装远离宝宝，以防宝宝窒息。

宝宝乘坐时，安全带或束缚系统必须正确的扣合及使用。

停放手推车时务必确实使用所有的刹车装置。

调整手推车时，如打开或收合手推车，宝宝须远离手推车的活动部件。

禁止在上下楼梯/手扶梯时使用手推车。

请勿放置另外的物品或配件在手推车上，可能影响其手推车的稳定性。

请勿在遮阳篷上放置任何物品。

超重、不正确收合或使用非Nuna原厂的配件可能导致车台损坏与不安全。

请使用Nuna原厂零配件。

Nuna不保修使用其它厂商提供的零配件所造成的损害。请勿让宝宝站立在手推车上。

如果有任何零件损坏，磨破或丢失，请停止使用该产品。

行经护栏与粗糙路面时务必小心。重复撞击力可能对手推车造成损坏。

请勿将手推车放置于马路、坡道或危险场所。

宝宝乘坐于手推车内时，请勿将整个手推车往上提。

使用时请远离火源、高温、水池或电源之附近范围。

保持宝宝远离遮阳篷及雨篷以免造成窒息。

当调整手推车上之任何可活动配件时，必须确定宝宝与手推车保持安全距离。

轮胎可能会在某些表面留下黑色痕迹，特别是光滑的表面，像木地板、合层板和亚麻油地板。

请勿将产品放置潮湿的环境中，请保持产品的干燥。

为避免窒息危险，请将小零件存放至宝宝接触不到的地方。

请勿摆放超过4.5公斤的物件于置物篮内，以免导致手推车不稳定而产生危险。请勿将宝宝放到置物篮内。

请勿摆放超过0.45公斤的物件于置物口袋内，以免导致手推婴儿车不稳定而产生危险。

使用本手推车前，请确认所有固定装置均已正确安装。

请勿允许您的宝宝将手推车当玩具玩耍。

6个月以下婴儿使用时，请使用最斜躺位置。

此手推车不能代替床使用。

使用时请扣好安全带，以免宝宝滑入腿部开口外而造成窒息。

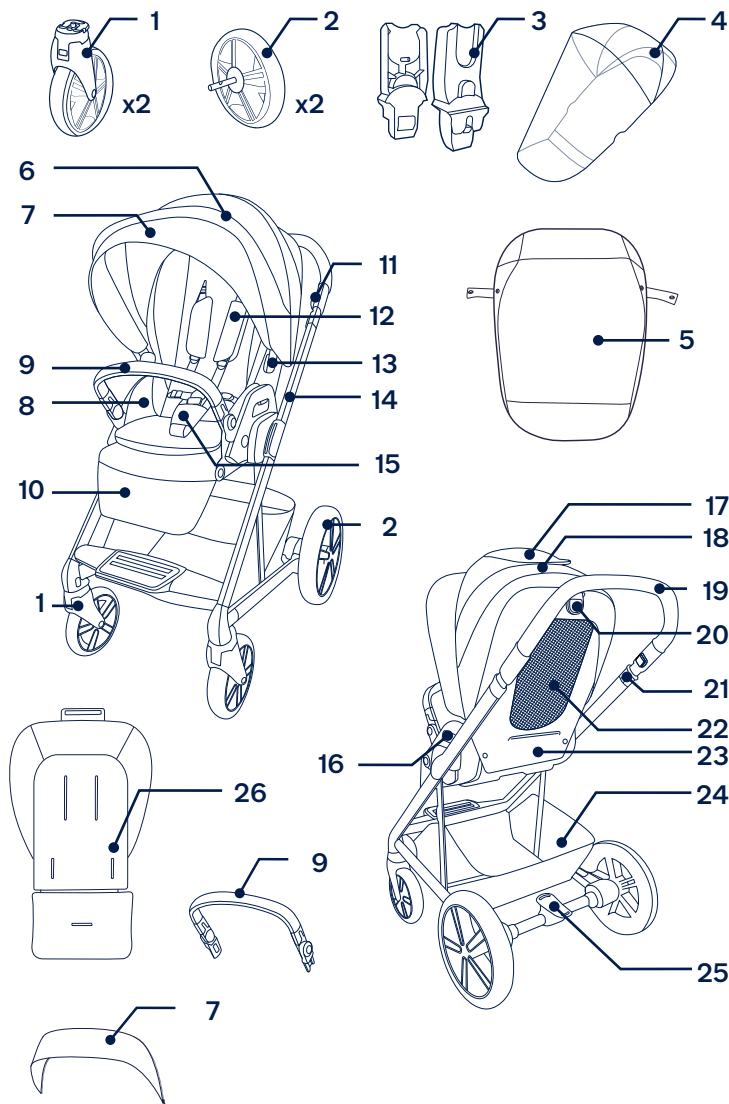
遇紧急事故时，迅速将乘坐的儿童移离现场。

产品组件及各部件名称

组装前请确认所有部件已经齐全，如有遗漏，请与销售商联系。本产品无需工具进行组装。

！ 窒息危险：务必去掉、丢弃每个车轮或轮轴的保护套。

- | | |
|-----------|-------------|
| 1 前轮 (x2) | 14 手推车 |
| 2 后轮 (x2) | 15 安全扣及胯带护片 |
| 3 汽车椅卡座 | 16 座椅卡和按钮 |
| 4 雨篷 | 17 顶篷前视天窗 |
| 5 脚套 | 18 顶篷透气天窗 |
| 6 遮阳篷 | 19 车手 |
| 7 遮阳片 | 20 背靠调整按钮 |
| 8 座垫 | 21 收合按钮 |
| 9 扶手 | 22 透气座椅背靠 |
| 10 小腿靠 | 23 置物口袋 |
| 11 车手调整按钮 | 24 置物篮 |
| 12 肩带护片 | 25 刹车踏板 |
| 13 顶篷支架 | 26 小座垫 |



简中

简中

安装手推车

打开手推车

- 1- 打开收合钩(1)。
- 2- 向上拉起车手(2)，听到“咔哒”声表示手推车完全打开。
- 3- 旋转背靠到垂直位置(3)。

！ 使用手推车前务必确保车架已打开到位。

安装遮阳篷

- 1- 将遮阳片上的拉链与遮阳篷上的拉链对齐，拉上拉链即可安装遮阳片(4)。
- 2- 将遮阳篷固定片插入固定座内，听到“咔哒”声即完成安装(5)。

安装前轮

- 1- 将前轮套入前脚，听到“咔哒”声表示前轮已安装完成(6)。
- ！ 往外轻拉，确定前轮已完整安装。
- 2- 按压前轮释锁按钮(7)-1，同时向下拉(7)-2，即可拔出前轮。

安装后轮

- 1- 将后轮套入后轮刹车组，听到“咔哒”声表示后轮已安装到位(8)。

！ 往外轻拉，确定后轮已完整安装。

- 2- 按压后轮释锁按钮(9)-1，同时向外拉(9)-2，即可拔出后轮。

安装扶手

！ 宝宝乘坐时必须系上安全带，扶手并不能确保宝宝的安全。

- 1- 将扶手卡槽对准扶手座插入，听到“咔哒”声表示扶手已安装完成(10)。
- 2- 按压扶手两侧释锁按钮(11)-1，两侧同时向外拉即可拆卸扶手(11)-2。
- 3- 可将座椅调成后向，按压两侧扶手调整按钮(12)-1并将扶手旋转向下，收合体积更小(12)-2。

！ 扶手调整仅用于收合时，宝宝乘坐时切勿旋转扶手。

手推车组装完成后如图13所示。

检查

- 收合钩松开后车架已完全展开。
- 前轮、后轮已确实安装。
- 遮阳篷已确实安装，支架及拉链皆安装确实。
- 置物篮已确实安装。
- 扶手已确实安装。

产品使用

! 当手推车停止、或将宝宝置入手推车、抱出手推车时，请务必使用刹车以确保安全。

使用安全扣

! 为了防止宝宝摔跌，宝宝乘坐时必须系上安全带。

请牢牢地系上安全带，并注意宝宝与安全带之间须可以放进一个手掌的厚度。

请勿交叉肩带，以免对宝宝颈部造成压迫。

- 1- 按下母扣中央的按钮，松开安全扣后将宝宝放入手推车(14)。
- 2- 将肩带扣环及腰部扣环结合(15)。
- 3- 将结合好的扣环与胯带母扣扣合，另一边亦同(16)。
- 4- 滑动织带以调整肩带长度(17)-1，拉紧腰部织带(17)-2，使宝宝更加舒适。

调整肩带位置

1- 肩带固定栓可上下滑动调整至适当位置(18)。

调整胯带位置

依宝宝的身形大小，胯带位置可2段调节。

- 1- 适合更小的宝宝使用(19)-1。
- 2- 适合更大的宝宝使用(19)-2。

使用遮阳篷

- 1- 打开遮阳篷，请将遮阳篷推向前方。
折叠遮阳篷，请将遮阳篷拉向后方(20)。
- 2- 遮阳片可向前打开或向内收起，不使用时可收合于遮阳篷内(21)。
- 3- 遮阳篷中段拉链可打开以延伸遮阳篷范围(22)。
- 4- 遮阳篷天窗可打开增加透气性(23)。
- 5- 遮阳篷后方可翻起，提供更大面积的透气网(24)-1。

前轮定向

! 在碎石路面或不平路面推行时，建议锁定前轮，便能更轻松地操控手推车。

- 1- 锁定时，按压前轮上的定向拉板两侧并向外拉出，旋转到后方，即可固定手推车前行方向(25)。
- 2- 释锁时，推进定向拉板即可(26)。

使用刹车

- 1- 准备刹车时，踩下刹车踏板后方红色部份即可完成刹车动作(27)。
- 2- 打开刹车时，踩下刹车踏板前方绿色部份即可完成释锁动作(28)。

！ 手推车停止时，请刹车。

调整车手

车手有3种段位可供使用。

- 1- 按压车手两侧的调整按钮(29)-1，同时向上或向下拉车手至适合段位(29)-2。

调整背靠

背靠可5段角度调节。

- 1- 调低背靠角度，请按压背靠调整按钮，向上或向下调整至所需的背靠角度(30)。

调整小腿靠

小腿靠共有2个段位可供调节。

- 1- 段位调高时，将小腿靠支撑板由下往上推即可(31)。
- 2- 段位调低时，按压小腿靠两侧的调整按钮(32)-1，同时向下调节小腿靠支撑板(32)-2。

小座垫

当天气炎热时，可拆卸座垫直接使用透气通风的网孔座椅。

- 1- 欲拆卸座垫，请将座垫上方与推车连接的黏扣带解开，按压安全扣中间按钮，打开安全扣，将扣具穿过座垫即可取掉座垫(33)。

！ 请勿拆卸背靠管。

座椅换向

座椅可以换向，可以让妈妈和宝宝面对面。

- 1- 按压座椅两侧释锁按钮同时提起座椅(34)。
- 2- 改变座椅方向，然后插入座椅底座，听到“咔哒”声表示已安装完成(35)。

！ 安装后，将座椅向上拉提确认是否已完整安装。

收合手推车

收合手推车前，请先收拢遮阳篷。

- 1- 按压背靠调整按钮(36)-1，调整至收合位置(36)-2。
- 2- 抬起车手两侧的收合按钮(37)-1，然后将车手向前压即可收合手推车(37)-2。
- 3- 收合钩会自动扣合，手推车收合完成后如图38所示。

使用配件

汽车椅卡座

当与Nuna 婴儿提篮配合使用时，请依以下步骤：

- 1- 安装汽车椅卡座，放置汽车椅卡座卡合到座椅底座上，听到“咔哒”声表示汽车椅卡座卡合到位(39)。
- 2- 安装汽车椅，放置汽车椅到汽车椅卡座上(40)，听到“咔哒”声表示汽车椅卡合到位(41)。
- 3- 汽车椅角度可随卡座调整 (42)。
- 4- 移除汽车椅，按压汽车椅两侧的释锁按钮(43)-1，同时向上提起汽车椅即可(43)-2。
- 5- 移除汽车椅卡座，向外拉起汽车椅卡座上的释锁按钮(44)-1，同时向上提起汽车椅卡座即可(44)-2。

脚套

柔软脚套能给宝宝提供一个温暖舒适的使用环境。

- 1- 将脚套铺在座垫上，将脚套上与座垫上的钮扣扣紧(45)-1，另一边亦同。
- 2- 脚套安装完成后如(45)所示。

雨篷

安装雨篷前，请确认雨篷已完全展开。

- 1- 将雨篷套到座椅上(46)。

- ！ 使用雨篷时，请随时注意并确认雨篷内有良好的通风。不使用雨篷时，请先确认雨篷已清洁并干燥，再收纳。请勿收合已罩上雨篷的手推车。天气炎热时，请勿将宝宝放在装有雨篷的手推车内。

维修与保养

可用湿布清洁车架和座布，请勿使用研磨剂或漂白剂。请勿使用润滑剂，因为它们会吸附灰尘和污垢。请勿将手推车储存在潮湿的地方。

请定期以水清洗轮子，并清除污垢。

为使手推车能长期使用，下雨天使用后，请用软质可吸水的布擦拭手推车。

请参考手推车上洗涤标版内容的洗涤方式。

长期使用之后，在正常状况下，座布可能产生褪色、磨损或撕裂。

为确保安全，请使用Nuna原厂零配件。

请定期检查您的手推车功能是否正常与零件是否松弛磨损或脱落。一旦发生以上任何状况，请立即停止使用本手推车。