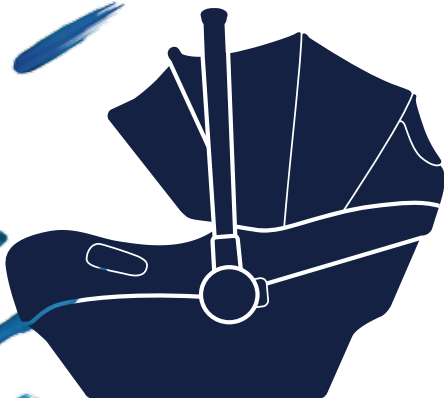
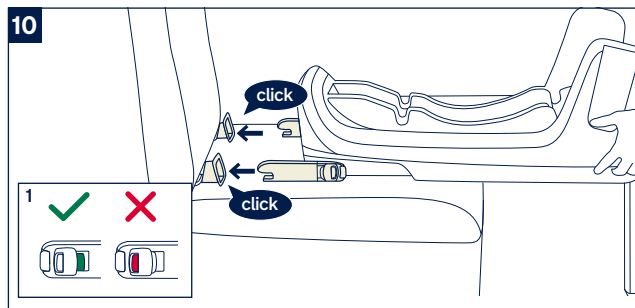
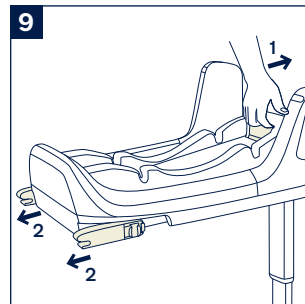
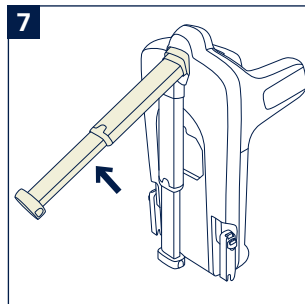
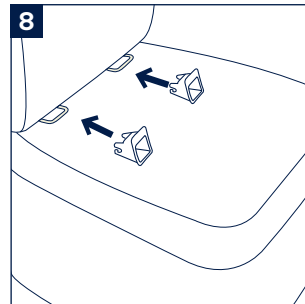
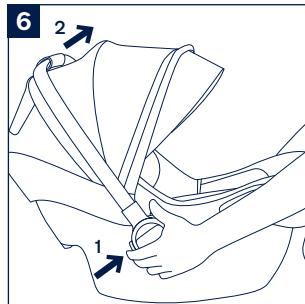
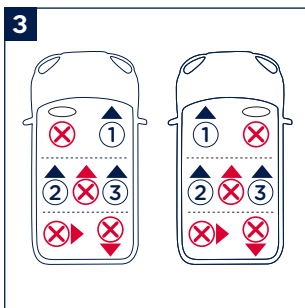
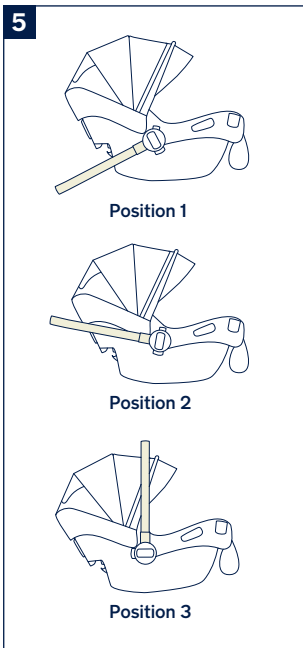
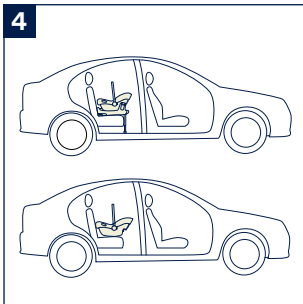
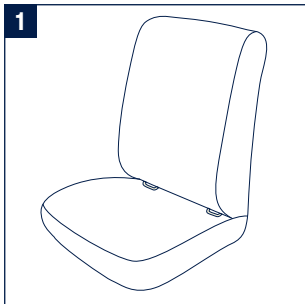


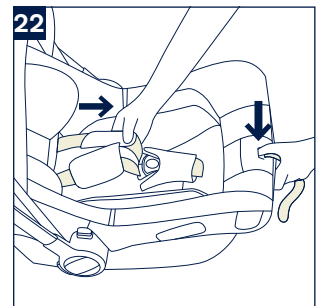
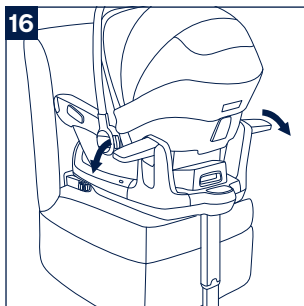
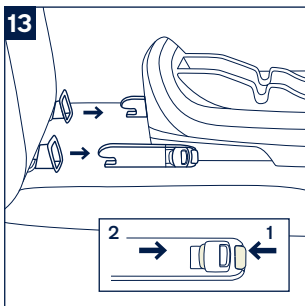
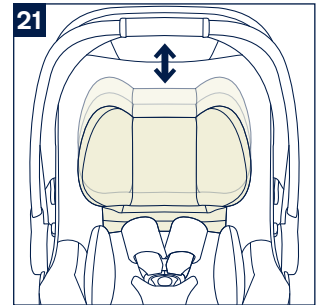
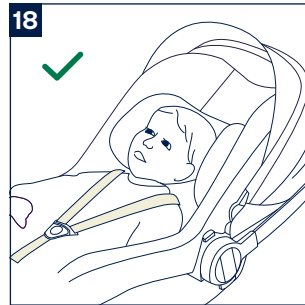
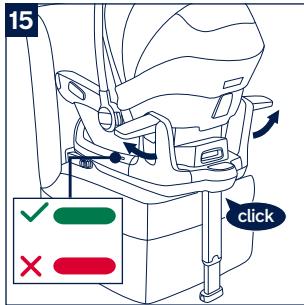
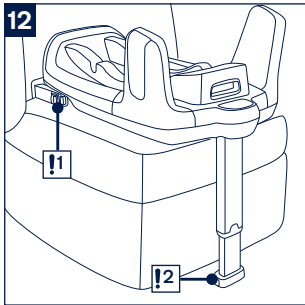
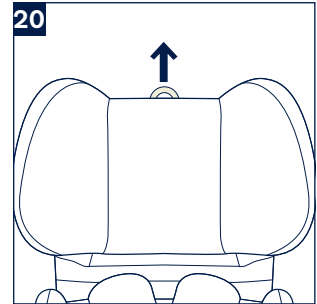
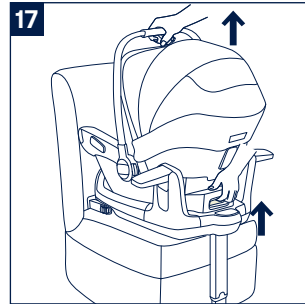
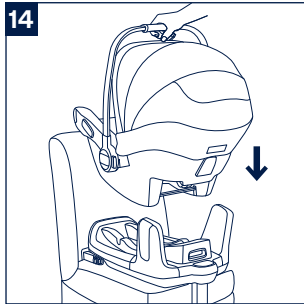
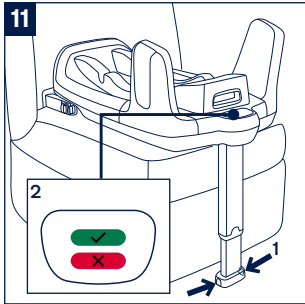
pipa™ next

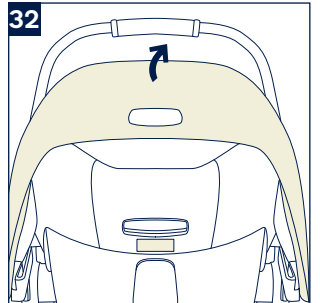
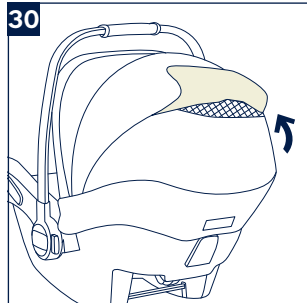
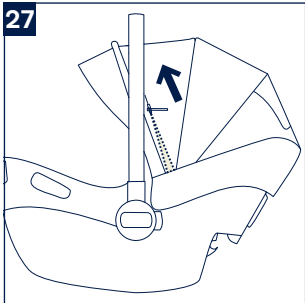
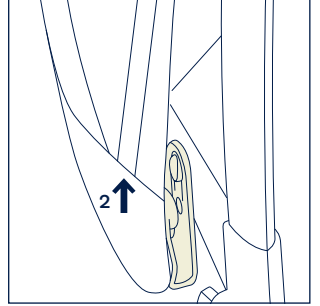
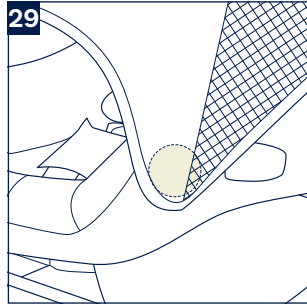
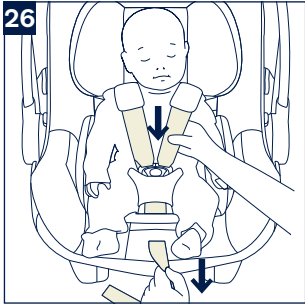
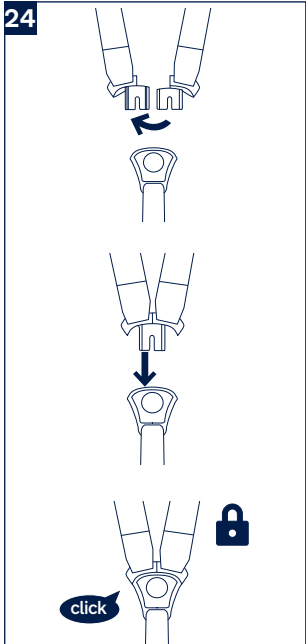
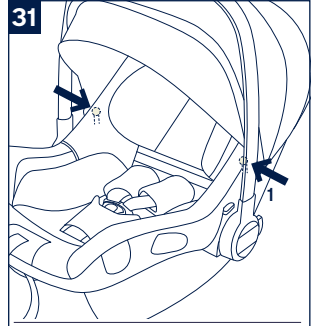
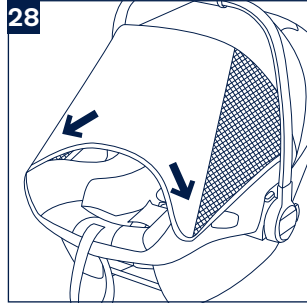
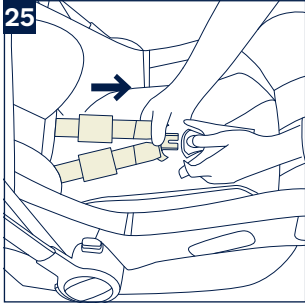
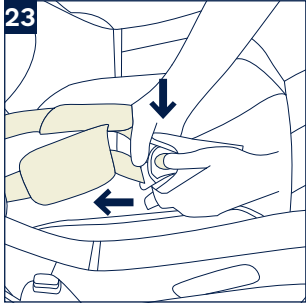


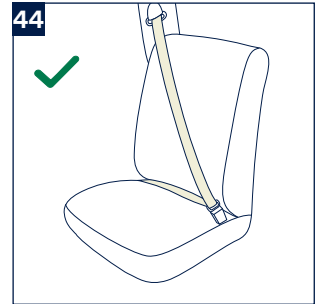
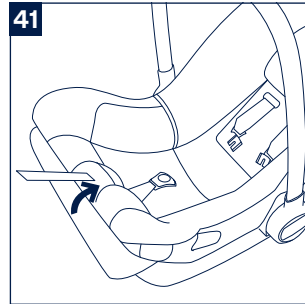
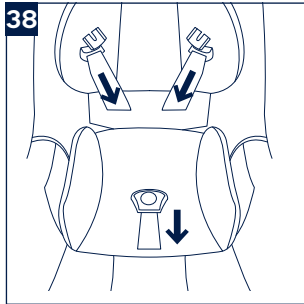
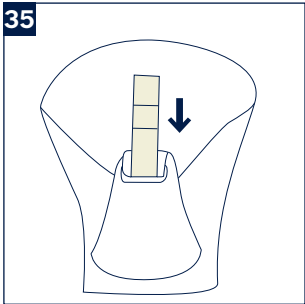
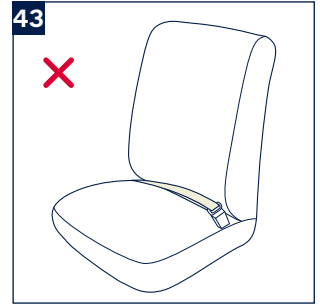
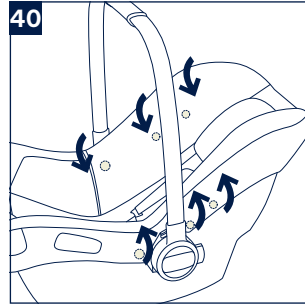
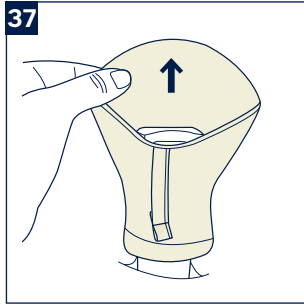
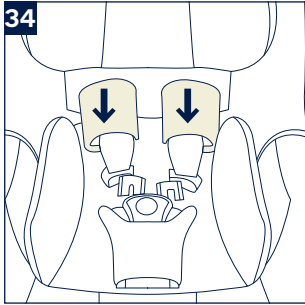
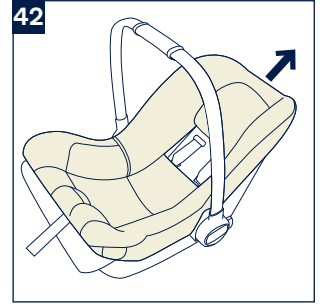
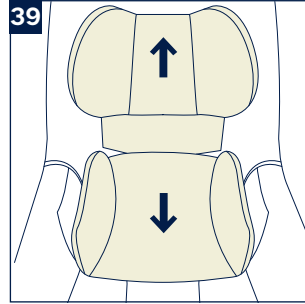
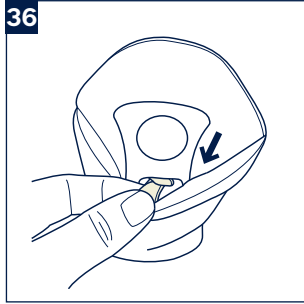
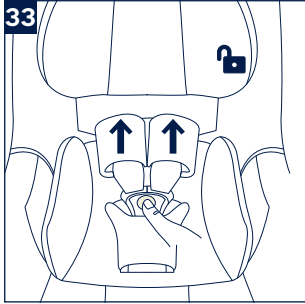
nuna®

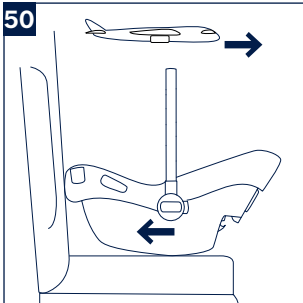
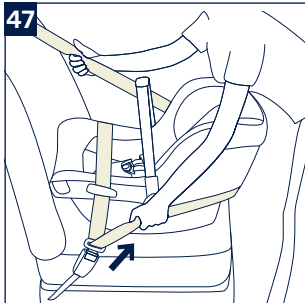
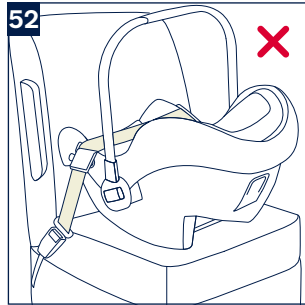
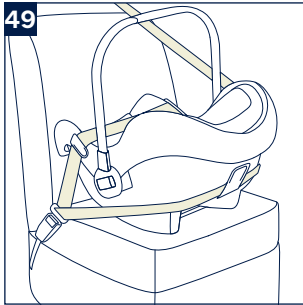
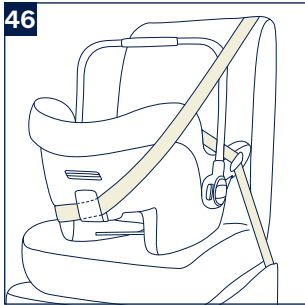
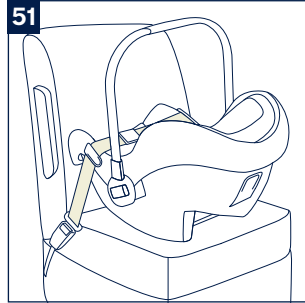
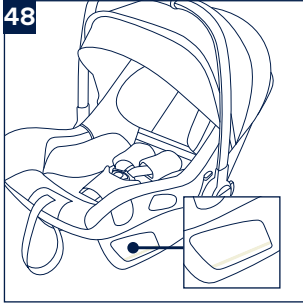
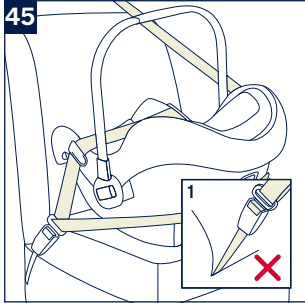
IMPORTANT!
KEEP THESE
INSTRUCTIONS FOR
FUTURE REFERENCE:
READ CAREFULLY











Designed
around your life



Contents

Product information	3
Product Registration	
Warranty	
Contact	
Child Usage Requirements	4
For Use with Base and without Base	5
Warning	6
Parts List	9
Product Use	11
Cleaning and Maintenance	16
Francais (FR)	17
Deutsch (DE)	33
Nederlands (NL)	49
Italiano (IT)	65
Español (ES)	81
Português (PT)	97
Polski (PL)	113
Česky (CZ)	129
Slovenčina (SK)	145
Hrvatski (HR)	161
Slovenščina (SL)	177
Русский (RU)	193
Svenska (SV)	211
Suomi (FI)	227
Română (RO)	243
Ελληνικά (EL)	259
Türkçe (TR)	277
عربي ٢٩٤	(AR) 277
日本語 (JP)	309

Product Information

Model Number: _____

Manufactured Date: _____

Product Registration

Please fill in the above information. The model number and the manufactured in date are located on the bottom of the PIPA next and PIPA next base.

To register your product please visit:

www.nunababy.com

Click the "Register Gear" link on the homepage.

Warranty

We have purposely designed our high-quality products so that they can grow with both your child and your family. Because we stand by our product, our gear is covered by a custom warranty per product, starting from the day it was purchased. Please have the proof of purchase, model number and manufactured in date available when you contact us.

For warranty information please visit:

www.nunababy.com

Click the "Warranty" link on the homepage.

Contact

For replacement parts, service, or additional warranty questions, please contact our customer service department.

info@nunababy.com

www.nunababy.com

In the United Kingdom:

infouk@nunababy.com

www.nunababy.com

NUNA International B.V.

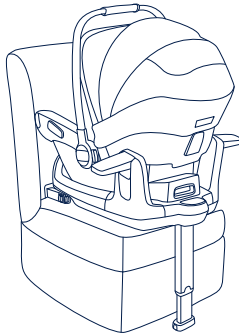
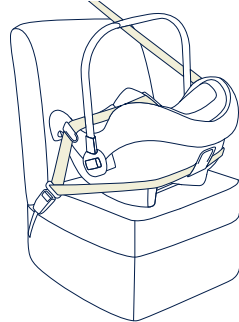
Van der Valk Boumanweg 178 C

2352JD Leiderdorp

The Netherlands

Child Usage Requirements

This product is suitable for use with children who meet the following requirements:

Figure for Installation	Suitable for
	<p>Child height 40cm-83cm/ Child weight ≤13kg (approximately 15 months old or under)</p>
	<p>Child height 40cm-83cm/ Child weight ≤13kg Child age ≤15 months</p>

For Use with Base and without Base

- 1 - “i-Size” (Integral Universal ISOFIX Enhanced Child Restraint Systems) is a category of Enhanced Child Restraint System primarily designed for use in all i-Size seating position of a vehicle.
- 2 - According to the UN Regulation No. 129, the Enhanced Child Restraint with base is a Universal ISOFIX Enhanced Child Restraint and should be fitted using the ISOFIX connections.
- 3 - This is an “i-Size” Enhanced Child Restraint System. It is approved according to UN Regulation No. 129, for use in, i-Size compatible vehicle seating positions as indicated by vehicle manufacturers in the vehicle users’ manual.
- 4 - This is an Universal Belted Enhanced Child Restraint System. It is approved according to UN Regulation No. 129, for use primarily in “Universal seating positions” as indicated by vehicle manufacturers in the vehicle user’s manual.
- 5 - If in doubt, consult either the Enhanced Child Restraint System manufacturer or the retailer.
- 6 - PIPA next child restraint is compatible with:
 - PIPA next base
 - ARRA base
 - BASE next

Please refer to ARRA instruction manual for the installation of ARRA base.

Please refer to BASE next instruction manual for installation of BASE next.

⚠WARNING

Failure to follow these warnings and instructions could result in serious injury or death.

Any straps holding the infant carrier module to the vehicle should be tight, that any load leg should be in contact with the vehicle floor, that any straps restraining the child should be adjusted to the child’s body, and that straps should not be twisted.

After your child is placed in this enhanced child restraint, the safety belt must be used correctly.

Any luggage or other objects liable to cause injuries in the event of a collision shall be properly secured.

Be sure that the enhanced child restraint is installed in such a way that no part of it interferes with movable seats or in the operation of vehicle doors.

Before carrying the infant carrier module by hand, ensure that the child is fastened with the child harness, and that the handle is correctly locked in a vertical position.

Consult the distributor for issues concerning maintenance, repair and part replacement.

Correct Installation is only permitted by use of the ISOFIX connectors.

Frequently check the ISOFIX guides for dirt and clean them if necessary. Reliability can be effected by ingress of dirt, dust, food particles etc.

Please check before you purchase this enhanced child restraint to make sure it can be installed properly in your vehicle.

Please keep this enhanced child restraint without a textile cover away from sunlight, because it may be too hot for child’s skin. Always touch the Enhanced Child Restraint before placing child in it.

To use this enhanced child restraint with the ISOFIX connections according to UN Regulation No. 129, your child must meet the following requirements.

Child height 40cm-83cm/Child weight≤13kg (approximately 15 months old or under).

To use this infant carrier module with vehicle belt, your child must meet the following requirements.

Child height 40cm-83cm/
Child weight \leq 13kg/Child age \leq 15 months.

The enhanced child restraint system soft goods should not be replaced with any other than the ones recommended by the manufacturer, because the soft goods constitutes an integral part of the restraint performance.

To avoid the risk of falling out, always secure the child using the child harness when the child is placed in infant carrier module, even when the enhanced child restraint is not in the vehicle.

To avoid serious injury or death, **NEVER** place infant carrier module on elevated surface seat with child in it.

The parts of this enhanced child restraint should not be lubricated in any way.

Remove this infant carrier module and base from the vehicle seat when it is not in regular use.

ALWAYS secure child in enhanced child restraint, even on short trips, as this is when most accidents occur.

NEVER leave your child unattended with this enhanced child restraint.

NEVER use a second-hand enhanced child restraint or an enhanced child restraint whose history you do not know because it may have structural damage that endangers your child's safety.

NEVER use ropes or any other substitutes to secure enhanced child restraint in vehicle or to secure child into enhanced child restraint.

NO enhanced child restraint can guarantee full protection from injury in an accident. However, proper use of this enhanced child restraint will reduce the risk of serious injury or death to your child.

DO NOT use the rearward facing enhanced child restraint systems in seating positions where there is an active frontal airbag installed. Death or serious injury may occur. Please reference vehicle owner's manual for more information.

DO NOT place any objects in the load leg area in front of your base.

DO NOT use any load bearing contact points other than those described in the instructions and marked on the enhanced child restraint.

DO NOT continue to use this enhanced child restraint after it has suffered any type of crash, even a minor one. Replace immediately as there may be invisible, structural damage from the crash.

DO NOT install this enhanced child restraint without following the instructions in this manual or you may put your child at serious risk of injury or death.

DO NOT make any modification to this enhanced child restraint or use it along with component parts from other manufacturers.

DO NOT use the enhanced child restraint system without the soft goods.

DO NOT use this enhanced child restraint if it has damaged or missing parts.

DO NOT have your child in large/oversized clothes because this may prevent your child from being properly and securely fastened by the shoulder harness straps and the crotch strap between the legs.

DO NOT leave this enhanced child restraint, or other items unbelted or unsecured in your vehicle because an unsecured enhanced child restraint can be thrown around and may injure occupants in a sharp turn, sudden stop, or collision.

DO NOT put anything other than the recommended inner cushions in this enhanced child restraint.

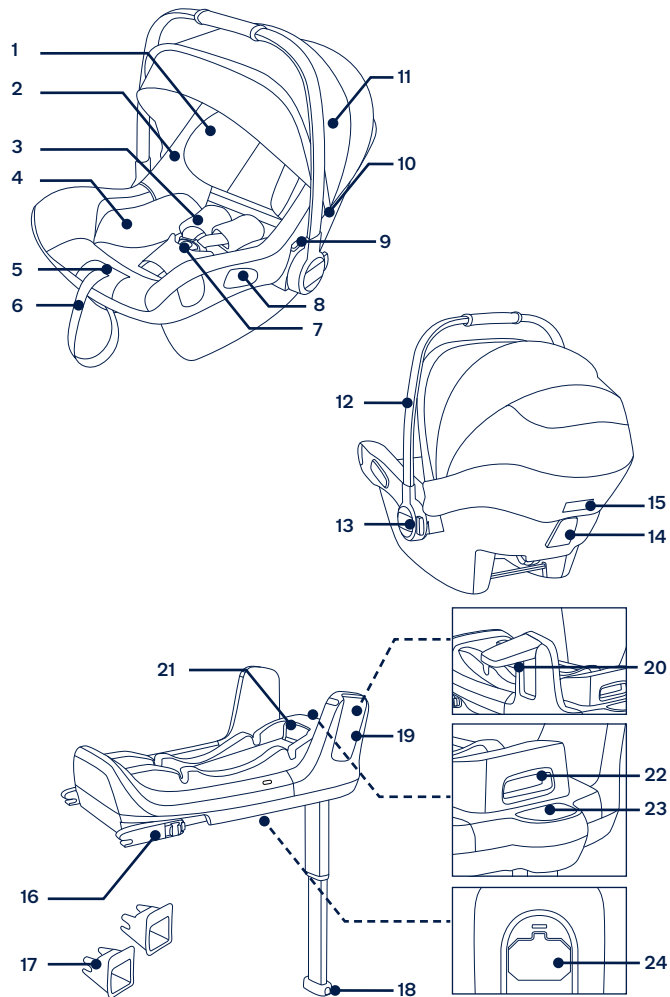
The instructions should be retained on the enhanced child restraint for its life period.

Please also pay attention to the instructions and warnings in the vehicle manufacturer's handbook.

Parts List

Make sure all parts are available before assembly. The infant carrier module and base can be sold separately. If any part is missing, please contact local retailer. No tools are required for assembly.

- | | |
|-----------------------------|---|
| 1 Head support | 14 Rear Guide |
| 2 Seat Pad | 15 Stroller Release Button B |
| 3 Shoulder Harness Straps | 16 ISOFIX Connector |
| 4 Infant Insert | 17 ISOFIX Guides |
| 5 Harness Adjustment Button | 18 Load Leg Adjust Button |
| 6 Adjustment Webbing | 19 Side Impact Shield |
| 7 Safety Buckle | 20 Shield Fold Back Button |
| 8 Side Guides | 21 ISOFIX Adjust Button |
| 9 Stroller Release Button A | 22 Infant Carrier Module Release Button |
| 10 Canopy Mount | 23 Load Leg Indicator |
| 11 Canopy | 24 Instruction Manual Storage Compartment |
| 12 Handle | |
| 13 Handle Button | |



Product Use

Installation Concerns

This infant carrier module is suitable for vehicle seats with i-Size ISOFIX anchor points with the Base. **(1)**

DO NOT use the rearward facing enhanced child restraint systems in seating positions where there is an active frontal airbag installed. Death or serious injury may occur. **(2)** Please reference vehicle owner's manual for more information.

DO NOT install this enhanced child restraint on vehicle seats that face sideways or rearward with respect to the moving direction of the vehicle. **(3)**

It is recommended to install this enhanced child restraint on the rear vehicle seat. **(4)**

DO NOT install this enhanced child restraint on vehicle seats movable during installation.

Handle Adjustment

- 1 - The handle of the infant carrier module can be adjusted to 3 positions. **(5)**
- 2 - To adjust the handle, squeeze handle buttons on both sides to release it. **(6)-1**
- 3 - Rotate handle until it clicks into any of the 3 positions. **(6)-2**

Installation with Base

- 1 - Unfold the load leg from storage compartment. **(7)**
- 2 - Fit the ISOFIX guides with the ISOFIX anchor points. **(8)** The ISOFIX guides can protect the surface of the vehicle seat from being torn. They can also guide the ISOFIX connectors.
- 3 - Press the ISOFIX Adjust Button to adjust the ISOFIX connectors. **(9)**
- 4 - Line up the ISOFIX connectors with the ISOFIX guides, and then click both ISOFIX connectors into the ISOFIX anchor points. **(10)**
 - ! Make sure that both ISOFIX connectors are securely attached to their ISOFIX anchor points. There should be two audible clicks and the colors of the indicators on the both ISOFIX connectors should be completely green. **(10)-1**
 - ! Check to make sure the base is securely installed by pulling on the both ISOFIX connectors.

- 5 - After placing the base on the vehicle seat, extend the load leg to floor **(11)**. When the load leg indicator shows green means it is installed correctly, red means it is installed incorrectly. **(11)-2**
 - ! The load leg has 19 positions. When the load leg indicator shows red this means the load leg is in the wrong position.
 - ! Make sure the load leg is in full contact with the vehicle floor pan.
 - ! To shorten the load leg, squeeze the load leg release button and pull the load leg upwards. **(11)-1**
The completely assembled base is shown as **(12)**.
 - ! The ISOFIX connectors must be attached and locked onto the ISOFIX anchor points. **(12)-1**
 - ! The load leg must be installed correctly with green indicator. **(12)-2**
- 6 - To remove the base, press the secondary lock button **(13)-1** first and then the button **(13)-2** on the latch connectors before removing the base from the vehicle seat.
- 7 - Press the ISOFIX adjust button to fold the ISOFIX.
- 8 - Push the infant carrier module down into the base **(14)**, if the enhanced child restraint is secure, the side impact shield will be open and the enhanced child restraint indicator shows green. **(15)** The side impact shield which is away from the door can be closed as shown on **(16)** when do not use it.
 - ! Pull up on the infant carrier module to be sure it is securely latched into the base.
- 9 - To release the infant carrier module, pull the enhanced child restraint up while squeezing the infant carrier module release button. **(17)**

Height Adjustment

for Head Support and Shoulder Harnesses

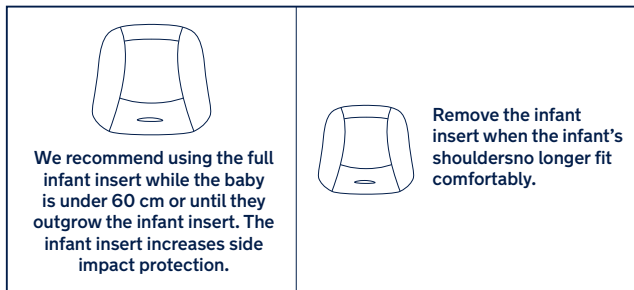
Check that Shoulder Harness Straps are set at the proper height. Please choose the proper pair of shoulder harness slots according to the child's height.

- ! Shoulder Harness Straps must be nearest to your child's shoulders **(18)**, but not above the shoulder line. **(19)**
- ! If the Shoulder Harness Straps are not at proper height, the child might be ejected from the enhanced child restraint if there is a crash.

Pull the head support adjustment lever **(20)**, meanwhile pull up or push down the head support until it snaps into one of the 7 positions. The head support positions are shown as **(21)**.

Securing Child

Use Infant Insert



After the child is placed into the seat, check whether the Shoulder Harness Straps are at proper height.

- 1 - While pressing the harness adjustment button, pull completely the two Shoulder Harness Straps of the enhanced child restraint. **(22)**
 - 2 - Unlock the buckle of the harnesses by pressing the red button. **(23)**
 - 3 - Place the child into the infant carrier module and lock the buckle. **(25)** Please refer to **(24)**.
 - 4 - Tighten the shoulder harness straps by pulling the adjustment webbing. **(26)**
- ! Make sure the space between the child and the Shoulder Harness Straps is about the thickness of one hand.

Canopy

- 1 - Unzip the zipper of the front canopy bow. **(27)**
- 2 - Pull the dream drape™ out of the canopy. **(28)**
- 3 - Attach the magnets on each corner to the front of the infant carrier module with magnets. **(29)**
- 4 - The canopy window can be opened for ventilation. **(30)**

Detach & Assemble Soft Goods

see images (31)-(42)

To re-assemble the soft goods, reverse the aforementioned steps.

Installation without Base

- 1 - **DO NOT** install this infant carrier module on vehicle seats with Lap Belts. **(43)**
 - 2 - This infant carrier module is suitable for vehicle seats with a 3-point Retractor Safety Belt (without base) only. **(44)**
 - 3 - Place the infant carrier module onto the vehicle seat where you wish to put it. Pull the vehicle safety belt out and lock it into the vehicle buckle, sliding the vehicle lap belt into the side guides of the infant carrier module. **(45)**
- ! The infant carrier module can not be used if the vehicle safety belt buckle (female buckle end) is too long to anchor the infant carrier module securely. **(45)-1**
- 4 - Slide diagonal belt into the rear guide. **(46)**
 - 5 - Pull the vehicle shoulder belt to fasten the infant carrier module tightly and securely. **(47)**
 - 6 - Level line on infant carrier module must be level to the ground when the infant carrier module is installed. **(48)**
- ! Tension the vehicle safety belt as much as possible, checking that it is not loose or twisted.
- ! After installing the infant carrier module, always check that the vehicle belts are routed correctly and securely fastened into the vehicle buckle. **(49)**

Aeroplane Installation

- ! Note that safety of the child for not complying with the installation and instruction manual is not guaranteed.
- ! Note that the installation of the infant carrier module on an aircraft seat differs from the installation on a car seat.
- ! Note that 2-Point "Lap Belt" attachment is only permitted in aircraft
- ! Note that the infant carrier module must remain belted on the aircraft seat even when unoccupied.
- ! Note that the infant carrier module is only for use on a passenger seat authorized by the airline.
- ! Warnings not to use the infant carrier module in the area of airbag deployment. (2)
- ! Note that Rearward facing infant carrier module should only be installed on forward facing passenger seats. (50)

How to install the infant carrier module using the aircraft seat's safety belt:

- 1 - Place the infant carrier module opposite to the flight direction onto the passenger seat.
 - 2 - Ensure that the carry handle is in the topmost position.
 - 3 - Place the safety belt into both belt guides.
 - 4 - Close the safety belt (refer to the safety instructions by the airline).
 - 5 - Tighten the safety belt by pulling the belt end. (51)
- ! The buckle of the safety belt must under no circumstances lie within the dark green belt guides. (52)

Removal:

Open the safety belt of the passenger seat (refer to the safety instructions by the airline).

Now you can take the infant carrier module from the passenger seat.

Cleaning and Maintenance

Clean the frame, plastic parts, and fabric with a damp cloth, but do not use abrasives or bleach. Do not use silicon lubricants as they will attract dirt and grime.

To ensure long-lasting use, wipe this product off with a soft, absorbent cloth after using it in rainy weather.

Refer to the care labels attached to the soft goods for washing and drying instructions.

It is normal for fabric to color from sunlight and to show wear and tear after a long period of use, even when used normally.

For reasons of safety, only use original Nuna parts.

Check regularly if everything functions properly. If any parts are torn, broken, or missing, stop using this product.

**IMPORTANT !
CONSERVEZ CES
INSTRUCTIONS POUR
UNE UTILISATION
FUTURE :
*LIRE ATTENTIVEMENT***

Sommaire

Informations sur le produit	19
Enregistrement du produit	
Garantie	
Contact	
Conditions d'utilisation avec un enfant	20
Utilisation avec ou sans la base	21
Avertissement	22
Liste des pièces	25
Utilisation du produit	27
Nettoyage et maintenance	32

Informations sur le produit

Numéro de modèle : _____

Date de fabrication : _____

Enregistrement du produit

Veillez fournir les informations ci-dessus. Le numéro de modèle et la date de fabrication se situent en bas du PIPA next et en base du PIPA next.

Pour enregistrer votre produit, veuillez vous rendre sur le site suivant :

www.nunababy.com

Cliquez sur le lien « Enregistrer un équipement » dans la page d'accueil

Garantie

Nous avons conçu spécialement nos produits de haute qualité afin qu'ils puissent accompagner le développement de votre enfant et de votre famille. Nous soutenons notre produit en couvrant notre matériel par une garantie personnalisée, commençant le jour de son achat. Ayez la preuve d'achat, le numéro de modèle et la date de fabrication à disposition lorsque vous nous contactez.

Pour des informations sur la garantie, veuillez visiter :

www.nunababy.com

Cliquez sur le lien « Garantie » dans la page d'accueil

Contact

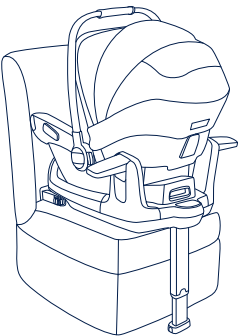
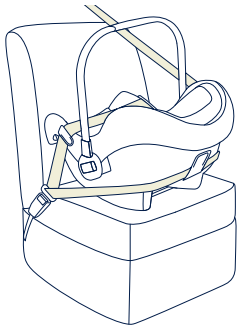
Pour des informations sur les pièces de rechange, le service ou des questions supplémentaires sur la garantie, veuillez contacter notre service client.

info@nunababy.com

www.nunababy.com

Conditions d'utilisation avec un enfant

Ce produit est adapté aux enfants répondant aux exigences suivantes :

Illustration pour l'installation	Convient à
	Taille de l'enfant 40 cm à 83 cm / Poids de l'enfant ≤ 13 kg (approximativement 15 mois ou moins)
	Taille de l'enfant 40 cm à 83 cm / Poids de l'enfant ≤ 13 kg Âge de l'enfant ≤ 15 mois

Utilisation avec ou sans la base

- 1- « i-Size » (Systèmes de retenue pour enfants améliorés ISOFIX universels intégrés) est une catégorie de systèmes de retenue pour enfants améliorés principalement conçus pour être utilisés dans toutes les positions d'assise i-Size d'un véhicule.
- 2- Conformément à la réglementation UN n°129, le dispositif de retenue pour enfants amélioré avec embase est un dispositif de retenue pour enfants amélioré ISOFIX universel et doit être installé avec des connexions ISOFIX.
- 3- Il s'agit d'un dispositif de retenue pour enfants amélioré « i-Size ». Il est approuvé conformément à la réglementation UN n°129 pour une utilisation dans des positions de sièges de véhicules compatibles i-Size comme indiqué par le constructeur dans le manuel de l'utilisateur du véhicule.
- 4- Il s'agit d'un dispositif de retenue pour enfants amélioré avec ceinture universelle. Il est approuvé conformément à la réglementation UN n°129 pour une utilisation principalement dans des « positions de sièges universelles » comme indiqué par le constructeur du véhicule dans le manuel de l'utilisateur du véhicule.
- 5- En cas de doute, consultez le fabricant du dispositif de retenue pour enfants amélioré ou le distributeur.
- 6- Le dispositif de retenue pour enfants PIPA next est compatible avec :
 - PIPA next base
 - ARRA base
 - BASE next

Veillez consulter le manuel d'utilisation de ARRA pour l'installation de ARRA base.

Veillez consulter le manuel d'utilisation de BASE next pour l'installation de BASE next.

AVERTISSEMENT

Ne pas suivre ces avertissements et instructions peut conduire à de sérieuses blessures ou la mort.

Les sangles qui maintiennent le module de transport bébé dans le véhicule doivent être serrées, le piétement de charge doit être en contact avec le plancher du véhicule et les sangles qui retiennent l'enfant doivent être ajustées au corps de l'enfant. Les sangles ne doivent pas être entortillées.

Une fois votre enfant placé dans ce dispositif de retenue pour enfants amélioré, la ceinture de sécurité doit être utilisée correctement.

Tout bagage et autres objets susceptibles de causer des blessures en cas de collision doivent être correctement sécurisés.

Assurez-vous que le dispositif de retenue pour enfants amélioré est installé de sorte qu'aucune partie n'interfère avec les sièges amovibles ou le fonctionnement des portes du véhicule.

Avant de transporter le module de transport bébé à la main, vérifiez que l'enfant est attaché avec le harnais pour enfant et que la poignée est bien verrouillée en position verticale.

Consultez le distributeur pour tout ce qui est maintenance, réparation et remplacement de pièces.

Une bonne installation n'est permise qu'avec des connecteurs ISOFIX.

Vérifiez régulièrement la présence de saleté sur les guides ISOFIX et nettoyez-les si nécessaire. La fiabilité peut être affectée par l'infiltration de poussière, saletés, particules de nourriture, etc.

Avant d'acheter ce dispositif de retenue pour enfants amélioré, veuillez vous assurer qu'il peut être installé correctement dans votre véhicule.

Veillez conserver ce dispositif de retenue pour enfants amélioré sans housse en textile à l'écart de la lumière du soleil, car il pourrait devenir trop chaud pour la peau de l'enfant. Touchez toujours le dispositif de retenue pour enfants amélioré avant de placer l'enfant dedans.

Pour utiliser ce dispositif de retenue pour enfants amélioré avec les connexions ISOFIX conformément à la réglementation UN No.129, votre enfant doit respecter les conditions suivantes.

Taille de l'enfant 40 à 83 cm / Poids de l'enfant \leq 13 kg ; (environ 15 mois ou moins).

Pour utiliser ce module de transport bébé avec la ceinture du véhicule, votre enfant doit respecter les conditions suivantes.

Taille de l'enfant 40 à 83 cm / Poids de l'enfant \leq 13 kg / Âge de l'enfant \leq 15 mois.

Les pièces souples du dispositif de retenue pour enfants amélioré ne doivent pas être remplacées par des pièces autres que celles recommandées par le fabricant, car les pièces souples font partie intégrante des performances du dispositif de retenue.

Pour éviter les risques de chute, attachez toujours l'enfant avec le harnais pour enfant lorsque l'enfant est placé dans le module de transport bébé, même lorsque le dispositif de retenue pour enfants amélioré n'est pas dans le véhicule.

Pour éviter les blessures graves ou la mort, ne placez **JAMAIS** le module de transport bébé sur une surface élevée avec l'enfant dedans.

Les pièces de ce dispositif de retenue pour enfants amélioré ne peuvent en aucune façon être lubrifiées.

Retirez ce module de transport bébé et cette base du siège du véhicule si vous ne prévoyez pas de l'utiliser pendant une longue période.

Attachez **TOUJOURS** l'enfant dans le dispositif de retenue pour enfants amélioré, même pour de courts trajets, car c'est dans ces circonstances que la majorité des accidents surviennent.

Ne laissez **JAMAIS** votre enfant sans surveillance avec ce dispositif de retenue pour enfants amélioré.

N'utilisez **JAMAIS** un dispositif de retenue pour enfants amélioré d'occasion ou dont vous ne connaissez pas l'historique, car il pourrait présenter des dommages structurels compromettant la sécurité de votre enfant.

N'utilisez **JAMAIS** de cordes ou d'autres substituts pour fixer le dispositif de retenue pour enfants amélioré dans le véhicule ou pour attacher l'enfant dans le dispositif de retenue pour enfants amélioré.

AUCUN dispositif de retenue pour enfants amélioré ne peut garantir une protection complète contre les blessures en cas d'accident. Cependant, une bonne utilisation de ce dispositif de retenue pour enfants amélioré réduira les risques de blessures sérieuses ou de mort pour votre enfant.

N'utilisez PAS les systèmes de retenue pour enfants améliorés dos à la route dans des positions d'assise ou un airbag frontal actif est installé. Ceci créerait des risques de blessures ou de mort. Veuillez vous reporter au manuel de l'utilisateur du véhicule pour plus d'informations.

Ne placez PAS d'objets dans la zone de piètement de charge en face de la base.

N'utilisez PAS de points de contact porteurs autres que ceux décrits dans les instructions et indiqués sur le dispositif de retenue pour enfants amélioré.

Ne continuez PAS à utiliser ce dispositif de retenue pour enfants amélioré après un accident, même mineur. Remplacez-le immédiatement, car des dommages structurels invisibles pourraient avoir été causés par l'accident.

N'installez PAS ce dispositif de retenue pour enfants amélioré sans respecter les instructions de ce manuel, ou vous pourriez exposer votre enfant à un risque élevé de blessures ou de mort.

N'apportez AUCUNE modification à ce dispositif de retenue pour enfants amélioré et ne l'utilisez pas avec des pièces d'autres fabricants.

N'utilisez PAS le système de retenue pour enfants amélioré sans les pièces souples.

N'utilisez PAS ce dispositif de retenue pour enfants amélioré si des pièces sont endommagées ou manquantes.

Ne faites PAS porter à votre enfant des vêtements trop amples/grands, car cela pourrait l'empêcher d'être bien attaché par les sangles du harnais pour les épaules et le harnais entre les jambes.

Ne laissez PAS ce dispositif de retenue pour enfants amélioré ou d'autres objets détachés ou non fixés dans votre véhicule, car un dispositif de retenue pour enfants amélioré non fixé peut être projeté et blesser les passagers lors de virages serrés, d'arrêts soudains ou de collisions.

Ne placez RIEN d'autre que les coussins internes recommandés dans ce dispositif de retenue pour enfants amélioré.

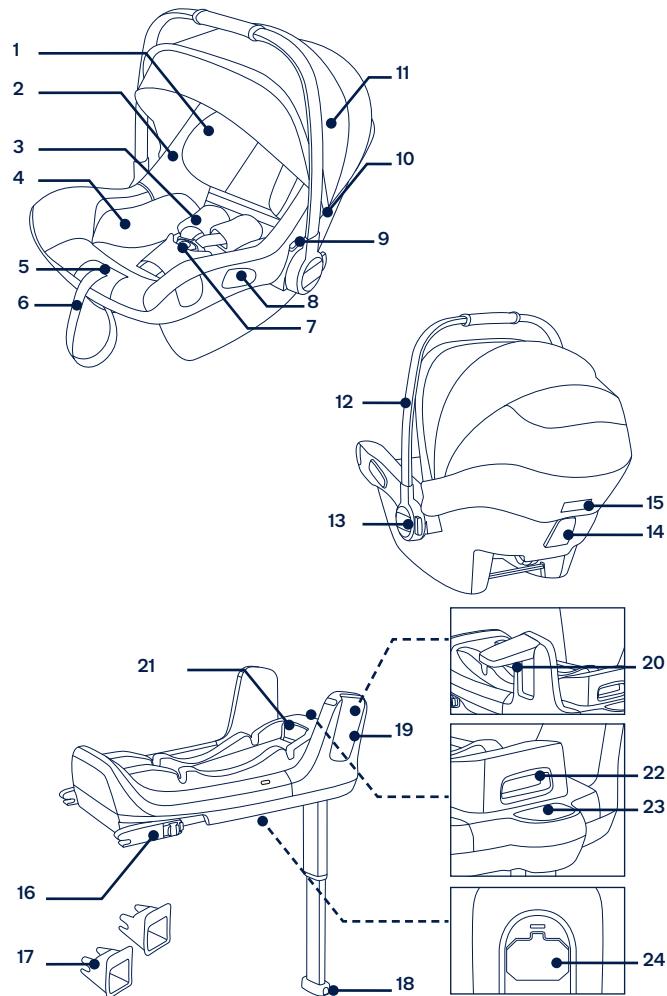
Les instructions doivent être conservées sur le système de retenue pour enfants amélioré pendant sa durée de vie.

Veillez également respecter les instructions et les avertissements figurant dans le manuel du constructeur du véhicule.

Liste des pièces

Assurez-vous que toutes les pièces sont présentes avant le montage. La coque de bébé et l'embase peuvent être vendues séparément. Si une partie est manquante, veuillez contacter votre revendeur local. Le montage ne nécessite aucun outil.

- | | | | |
|----|--|----|--|
| 1 | Support de tête | 15 | Bouton B de déverrouillage de la poussette |
| 2 | Assise de siège | 16 | Connecteur ISOFIX |
| 3 | Sangles du harnais pour les épaules | 17 | Guides ISOFIX |
| 4 | Insert pour bébé | 18 | Bouton de réglage du piètement de charge |
| 5 | Bouton de réglage du harnais | 19 | Dispositif de protection contre les chocs latéraux |
| 6 | Sangle de réglage | 20 | Bouton de pliage dispositif de protection |
| 7 | Boucle de sécurité | 21 | Bouton de réglage ISOFIX |
| 8 | Guides latéraux | 22 | Bouton de déverrouillage de la coque de bébé |
| 9 | Bouton A de déverrouillage de la poussette | 23 | Indicateur de piètement de charge |
| 10 | Base de la voilure | 24 | Compartiment de rangement du manuel d'utilisation |
| 11 | Voilure | | |
| 12 | Poignée | | |
| 13 | Bouton de la poignée | | |
| 14 | Guide arrière | | |



Utilisation du produit

Problèmes liés à l'installation

Ce module de transport bébé convient aux sièges de véhicules équipés à leur base de points d'ancrage ISOFIX i-Size. (1)

N'utilisez **PAS** les systèmes de retenue pour enfants améliorés dos à la route dans des positions d'assise où un airbag frontal actif est installé. Ceci créerait des risques de blessures ou de mort. (2) Veuillez vous reporter au manuel de l'utilisateur du véhicule pour plus d'informations.

N'installez **PAS** ce dispositif de retenue pour enfants amélioré sur des sièges de véhicules orientés latéralement ou dos à la route par rapport à la direction de déplacement du véhicule. (3)

Il est recommandé d'installer ce dispositif de retenue pour enfants amélioré sur le siège arrière du véhicule. (4)

N'installez **PAS** ce dispositif de retenue pour enfants amélioré sur des sièges de véhicules mobiles pendant l'installation.

Ajustement de la poignée

- 1 - La poignée du module de transport bébé peut être réglée sur 3 positions. (5)
- 2 - Pour ajuster la poignée, pressez les boutons de la poignée sur les deux côtés pour dégager celle-ci. (6)-1
- 3 - Faites pivoter la poignée jusqu'à ce qu'elle s'enclenche sur une des 3 positions. (6)-2

Installation avec base

- 1 - Dépliez le piètement de charge du compartiment de stockage. (7)
- 2 - Ajustez les guides ISOFIX sur les points d'ancrage ISOFIX. (8) Les guides ISOFIX peuvent protéger la surface du siège du véhicule contre les déchirements. Ils peuvent aussi guider les connecteurs ISOFIX.
- 3 - Appuyez sur le bouton de réglage ISOFIX pour ajuster les connecteurs ISOFIX. (9)
- 4 - Alignez les connecteurs avec les points d'ancrage ISOFIX, puis insérez les deux connecteurs ISOFIX dans les points d'ancrage ISOFIX. (10)

! Vérifiez que les deux connecteurs ISOFIX sont bien attachés aux points d'ancrage ISOFIX. Vous devriez entendre deux clics audibles, et les indicateurs des deux connecteurs ISOFIX doivent être complètement verts. (10)-1

! Vérifiez que la base est bien installée en tirant sur les deux connecteurs ISOFIX.

5 - Après avoir placé la base sur le siège du véhicule, étendez le piètement de charge jusqu'au sol (11). Si l'indicateur de piètement de charge est vert, cela signifie qu'il est installé correctement. L'indicateur rouge signifie qu'il est installé incorrectement. (11)-2

! Le piètement de charge propose 19 positions. Lorsque l'indicateur de piètement de charge est rouge, cela signifie que le piètement de charge est dans une mauvaise position.

! Vérifiez que le piètement de charge est complètement en contact avec le plancher du véhicule.

! Pour raccourcir le piètement de charge, appuyez sur le bouton de déverrouillage du piètement de charge et tirez le piètement de charge vers le haut. (11)-1
La base complètement assemblée est illustrée en (12).

! Les connecteurs ISOFIX doivent être attachés et verrouillés sur les points d'ancrage ISOFIX. (12)-1

! Le piètement de charge doit être installé correctement avec l'indicateur vert. (12)-2

6 - Pour retirer la base, appuyez d'abord sur le bouton de verrouillage secondaire (13)-1 puis sur le bouton (13)-2 sur les connecteurs d'attache avant de retirer la base du siège du véhicule.

7 - Appuyez sur le bouton de réglage ISOFIX pour plier l'ISOFIX.

8 - Poussez le module de transport bébé sur la base (14), si le dispositif de retenue pour enfants amélioré est bien fixé, le dispositif de protection contre les chocs latéraux est ouvert et l'indicateur de verrouillage du dispositif de retenue pour enfants amélioré est vert. (15) Le dispositif de protection contre les chocs latéraux qui est de l'autre côté de la porte peut être fermée, comme indiqué en (16) lorsqu'il n'est pas utilisé.

! Tirez sur le module de transport bébé pour vous assurer qu'il est bien verrouillé sur la base.

9 - Pour déverrouiller le module de transport bébé, tirez le dispositif de retenue pour enfants amélioré vers le haut tout en appuyant sur le bouton de déverrouillage du module de transport bébé. (17)

Réglage de la hauteur

pour le repose-tête et le harnais pour épaules

Vérifiez que les sangles du harnais pour épaules sont à la bonne hauteur. Choisissez la bonne paire d'emplacements de harnais pour épaules, conformément à la taille de l'enfant.

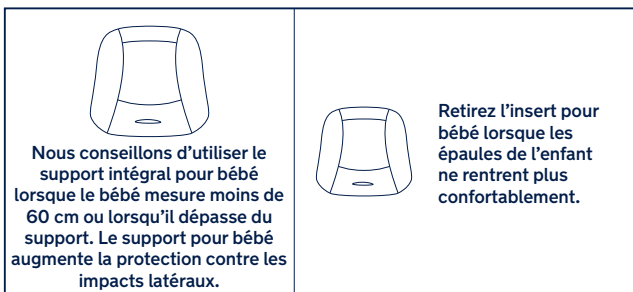
! Les sangles du harnais pour épaules doivent être proches des épaules de l'enfant (18), mais pas au-dessus. (19)

! Si les sangles du harnais pour épaules ne sont pas à la bonne hauteur, l'enfant pourrait être éjecté du dispositif de retenue pour enfants amélioré en cas d'accident.

Tirez le levier d'ajustement du support pour la tête (20) tout en tirant sur le support vers le haut ou le bas pour le placer sur l'une des 7 positions. Les positions du support pour la tête sont illustrées en (21).

Sécuriser l'enfant

Utilisation du support pour bébé



Une fois l'enfant placé dans le siège, vérifiez si les sangles du harnais pour les épaules sont à la bonne hauteur.

- 1 - Tout en appuyant sur le bouton de réglage du harnais, tirez complètement les deux sangles du harnais d'épaules du dispositif de retenue pour enfants amélioré. (22)
- 2 - Déverrouillez la boucle du harnais en appuyant sur le bouton rouge. (23)
- 3 - Placez l'enfant dans le module de transport bébé et verrouillez la boucle. (25) Veuillez vous reporter à (24).

- 4 - Serrez les sangles pour épaules en tirant sur le filet d'ajustement. (26)

! Vérifiez que l'espace entre l'enfant et les sangles du harnais pour épaules fait environ l'épaisseur d'une main.

Voilure

- 1 - Ouvrez la fermeture à glissière de la courbure avant de la voilure. (27)
- 2 - Sortez la voilure Dream Drape™ du compartiment. (28)
- 3 - Fixez les aimants sur chaque coin à l'avant du module du siège de bébé avec les aimants. (29)
- 4 - La fenêtre de la voilure peut être ouverte pour la ventilation. (30)

Détacher et assembler les parties souples

voir les images (31)-(42)

Pour réassembler les éléments souples, effectuez les étapes ci-dessus dans l'ordre inverse.

Installation sans base

- 1 - **N'installez PAS** ce module de transport bébé sur des sièges de véhicule avec ceinture abdominale. (43)
- 2 - Ce module de transport bébé convient uniquement aux sièges de véhicules équipés d'une ceinture de sécurité 3 points à enrouler (sans base). (44)
- 3 - Placez le module de transport bébé sur le siège du véhicule où vous souhaitez le mettre. Tirez la ceinture de sécurité du véhicule et verrouillez-la dans la boucle du véhicule, en faisant glisser la sangle ventrale du véhicule dans les guides latéraux du module de transport bébé. (45)

! Le module de transport bébé ne peut pas être utilisé si la boucle de ceinture de sécurité du véhicule (extrémité femelle de la boucle) est trop longue pour retenir le module de transport bébé de façon sûre. (45)-1
- 4 - Faites glisser la sangle diagonale dans le guide arrière. (46)
- 5 - Tirez la ceinture d'épaule du véhicule pour fixer le module de transport bébé fermement et de façon sûre. (47)
- 6 - La ligne de niveau du module de transport bébé doit être parallèle au sol lorsque le module de transport bébé est installé. (48)

- ! Tendez la ceinture de sécurité du véhicule autant que possible en vérifiant qu'elle n'est pas desserrée ou entortillée.
- ! Après avoir installé le module de transport bébé, vérifiez toujours que les ceintures du véhicule sont acheminées correctement et bien attachées dans la boucle du véhicule. (49)

Installation dans un avion

- ! Veuillez noter que la sécurité de l'enfant n'est pas garantie si le manuel d'installation et d'instructions n'est pas respecté.
- ! Veuillez noter que l'installation du module de transport bébé sur un siège d'avion diffère de l'installation sur un siège de voiture.
- ! Veuillez noter que la fixation par « ceinture abdominale » 2 points n'est autorisée que dans les avions.
- ! Veuillez noter que le module de transport bébé doit rester ceinturé sur le siège d'avion même s'il n'est pas occupé.
- ! Veuillez noter que le module de transport bébé est uniquement destiné à être utilisé sur un siège passager autorisé par la compagnie aérienne.
- ! Il est rappelé de ne pas utiliser le module de transport bébé dans la zone de déploiement des airbags. (2)
- ! Veuillez noter que le module de transport bébé orienté vers l'arrière ne doit être installé que sur des sièges passagers orientés vers l'avant. (50)

Comment installer le module de transport bébé avec la ceinture de sécurité d'un siège d'avion :

- 1 - Placez le module de transport bébé dans le sens opposé à la direction du vol sur le siège passager.
 - 2 - Assurez-vous que la poignée de transport est dans la position la plus haute.
 - 3 - Placez la ceinture de sécurité dans les deux guides de ceinture.
 - 4 - Fermez la ceinture de sécurité (consultez les instructions de sécurité de la compagnie aérienne).
 - 5 - Serrez la ceinture de sécurité en tirant l'extrémité de la ceinture. (51)
- ! La boucle de la ceinture de sécurité ne doit en aucun cas se trouver dans les guides de ceinture vert foncé. (52)

Retrait :

Ouvrez la ceinture de sécurité du siège passager (consultez les instructions de sécurité de la compagnie aérienne).

À présent, vous pouvez retirer le module de transport bébé du siège passager.

Nettoyage et maintenance

Nettoyez le cadre, les pièces en plastique et le tissu à l'aide d'un chiffon humide, mais n'utilisez pas d'abrasifs ou d'eau de Javel. N'utilisez pas de lubrifiants à base de silicone, car ils attirent la saleté et la crasse.

Pour garantir une longue durée d'utilisation, essayez ce produit avec un chiffon doux et absorbant après l'avoir utilisé par temps pluvieux.

Consultez l'étiquette d'entretien sur les pièces souples pour obtenir les instructions de lavage et de séchage.

La coloration du tissu exposé au soleil est normale, tout comme les signes d'usure et de déchirement après une longue période d'utilisation, même normale.

Pour des raisons de sécurité, n'utilisez que les pièces Nuna d'origine.

Vérifiez régulièrement si tout fonctionne correctement. Si des pièces sont déchirées, endommagées ou manquantes, arrêtez d'utiliser ce produit

WICHTIG!
BEWAHREN SIE DIESE
ANWEISUNGEN
ZUM KÜNFTIGEN
NACHSCHLAGEN AUF:
SORGFÄLTIG LESEN

Inhalt

Produktdaten	35
Produktregistrierung	
Garantie	
Kontakt	
Anforderungen an die Nutzung mit Kind	36
Für Verwendung mit Basis und ohne Basis	37
Warnung	38
Teileliste	41
Produkt verwenden	43
Reinigung und Wartung	48

Produktdaten

Modellnummer: _____

Fertigungsdatum: _____

Produktregistrierung

Bitte tragen Sie die obigen Informationen ein. Modellnummer und Fertigungsdatum befinden sich auf der Unterseite des von PIPA next und an Basis von PIPA next.

Bitte registrieren Sie Ihr Produkt unter:

www.nunababy.com

Klicken Sie auf der Startseite auf den „Ausrüstung registrieren“-Link.

Garantie

Wir haben unsere hochwertigen Produkte so entwickelt, dass Sie mit Ihrem Kind und Ihrer Familie wachsen. Da wir uns durch unsere Produkte hervorheben, ist unser Sortiment je nach Produkt durch eine angepasste Garantie ab Kaufdatum abgedeckt. Bitte halten Sie bei Kontaktaufnahme mit uns Kaufbeleg, Modellnummer und Fertigungsdatum bereit.

Garantieinformationen finden Sie unter:

www.nunababy.com

Klicken Sie auf der Startseite auf den „Garantie“-Link.

Kontakt

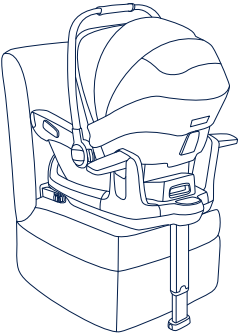
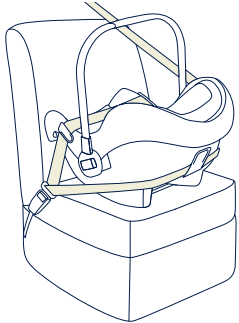
Wenden Sie sich für Ersatzteile, Service und weitere Garantiefragen an unseren Kundendienst.

info@nunababy.com

www.nunababy.com

Anforderungen an die Nutzung mit Kind

Dieses Produkt eignet sich für Kinder, die folgende Anforderungen erfüllen:

Abbildung zur Installation	Geeignet für
	Körpergröße des Kindes 40 – 83 cm/ Gewicht des Kindes \leq 13 kg (ca. 15 Monate oder jünger)
	Körpergröße des Kindes 40 – 83 cm/ Gewicht des Kindes \leq 13 kg Alter des Kindes \leq 15 Monate

Für Verwendung mit Basis und ohne Basis

- 1- „i-Size“ (Kinderrückhaltesysteme mit integraler Universal-ISOFIX-Verankerung) ist eine Kategorie von Kinderrückhaltesystemen primär entwickelt für den Einsatz in allen i-Size-Sitzpositionen eines Fahrzeugs.
- 2- Entsprechend der UN-Richtlinie Nr.129 ist das Kinderrückhaltesystem mit Basis ein Universal-ISOFIX-Kinderrückhaltesystem und sollte mittels ISOFIX-Verbindungen befestigt werden.
- 3- Es ist gemäß UN-Richtlinie Nr. 129 für die Verwendung in „i-Size“-kompatiblen Fahrzeugsitzpositionen zugelassen, wie vom Fahrzeughersteller im Handbuch Ihres Fahrzeugs aufgeführt ist.
- 4- Dies ist gemäß UN-Richtlinie Nr.129/03 ein universelles, gurtbares Kinderrückhaltesystem, primär für den Einsatz in „universellen Sitzpositionen“ entsprechend den Angaben des Fahrzeugherstellers in der Gebrauchsanleitung des Fahrzeugs zugelassen.
- 5- Bitte wenden Sie sich im Zweifelsfall an den Hersteller oder Händler des verstärkten Kinderrückhaltesystems.
- 6- Das Kinderrückhaltesystem PIPA next ist kompatibel mit:
 - PIPA next base
 - ARRA base
 - BASE next

Bitte beachten Sie zur Installation der ARRA base die ARRA-Bedienungsanleitung.

Bitte beachten Sie zur Installation von BASE next die Bedienungsanleitung von BASE next.

⚠ WARNUNG

Nichtbeachtung dieser Warnungen und Anweisungen könnte zu schweren Verletzungen oder zum Tode führen.

Gepäck und andere Gegenstände, die bei einem Unfall Verletzungen verursachen könnten, müssen unbedingt angemessen gesichert werden.

Achten Sie darauf, dass das verstärkte Kinderrückhaltesystem so installiert ist, dass kein Teil davon in Kontakt steht mit den Fahrzeughüren und den Vordersitzen.

Achten Sie darauf, dass das Kind mit dem Kindergurt gesichert und der Griff korrekt in vertikaler Position verriegelt ist, bevor Sie das Babyschalenmodul von Hand tragen.

Wenden Sie sich bei Anliegen bezüglich Wartung, Reparatur und Austausch an Ihren Händler.

Prüfen Sie die ISOFIX-Führungen regelmäßig auf Schmutz und reinigen Sie sie bei Bedarf. Die Zuverlässigkeit des Systems kann durch Eindringen von Schmutz, Staub, Lebensmittelresten usw. beeinträchtigt werden.

Bitte prüfen Sie vor dem Kauf dieses Kinderrückhaltesystems, ob es richtig in Ihrem Fahrzeug installiert werden kann.

Bitte schützen Sie das Kinderrückhaltesystem nach Möglichkeit vor direkter Sonneneinstrahlung, da sich die Bezüge (speziell Schwarz) dadurch aufheizen können. Prüfen Sie in diesem Fall immer zuerst die Sitzflächen des Kinderrückhaltesystems, ob sie nicht zu heiß für die Haut Ihres Kindes sind. Stellen Sie den Sitz im Zweifelsfall vor Verwendung kurz in den Schatten.

Damit gewährleistet ist, dass dieses Kinderrückhaltesystem mit ISOFIX-Verbindern entsprechend der UN-Richtlinie Nr. 129 verwendet wird, müssen folgende Voraussetzungen erfüllt sein:

Körpergröße von 40 bis 83 cm / Gewicht des Kindes \leq 13 kg (ca. 15 Monate alt oder jünger).

Damit Sie dieses Babyschalenmodul zur Installation mit dem Fahrzeuggurt verwenden können, muss Ihr Kind folgende Anforderungen erfüllen:

Körpergröße von 40 bis 83 cm / Gewicht des Kindes \leq 13 kg / Alter des Kindes \leq 15 Monate

Die Textilteile des Kinderrückhaltesystems sollten ausschließlich durch die vom Hersteller empfohlenen Teile ersetzt werden, da sie ein integraler Bestandteil des Sicherheitskonzeptes sind.

Sichern Sie das Kind immer mit dem integrierten Gurtsystem, bevor Sie es in das Babyschalenmodul setzen, selbst wenn sich das Kinderrückhaltesystem nicht im Fahrzeug befindet. Dadurch verhindern Sie, dass Ihr Kind herausfällt.

Verhindern Sie ernsthafte oder sogar tödliche Verletzungen, indem Sie das Babyschalenmodul **NIEMALS** mit Kind auf eine erhöhte Position stellen.

Die Teile dieses verstärkten Kinderrückhaltesystems sollten in keiner Weise geschmiert oder andersweitig chemisch behandelt werden.

Entfernen Sie dieses Babyschalenmodul und die Basis vom Fahrzeugsitz, wenn sie nicht regelmäßig benutzt werden.

Bewahren Sie es in einem trockenen Raum auf, und verhindern Sie eine direkte Sonneinstrahlung auf den Sitz.

Schnallen Sie Ihr Kind **IMMER** im Kinderrückhaltesystem, selbst bei kurzen Fahrten, da gerade hier an die meisten Unfälle passieren.

Lassen Sie Ihr Kind **NIEMALS** unbeaufsichtigt in diesem Kinderrückhaltesystem zurück.

Verwenden Sie **NIEMALS** ein gebrauchtes Kinderrückhaltesystem oder ein Kinderrückhaltesystem, dessen Vergangenheit Sie nicht kennen; möglicherweise weist es strukturelle Schäden auf, die Ihr Kind gefährden können.

Verwenden Sie **NIEMALS** Seile oder andere Ersatzmittel, um das Kinderrückhaltesystem im Auto oder das Kind im Kinderrückhaltesystem zu sichern.

KEIN Kinderrückhaltesystem kann vollständigen Schutz vor Verletzungen bei einem Unfall garantieren. Dennoch reduziert der ordnungsgemäße Einsatz dieses Kinderrückhaltesystems die Gefahr ernsthafter oder tödlicher Verletzungen Ihres Kindes.

Verwenden Sie Kinderrückhaltesysteme entgegen der Fahrtrichtung **KEINESFALLS** auf Sitzen mit aktivem Front-Airbag. Andernfalls drohen schwere oder sogar tödliche Verletzungen. Weitere Informationen entnehmen Sie bitte dem Fahrzeughandbuch.

Platzieren Sie **KEINE** Gegenstände auf dem Fahrzeugboden vor der Basisstation, wo der Stützfuß aufsteht.

Verwenden Sie **NUR** die in der Anleitung beschriebenen und am Rückhaltesystem für Kleinkinder markierten belastbaren Kontaktpunkte.

Verwenden Sie dieses Kinderrückhaltesystem **NICHT** weiter, wenn es in irgendeine Art von Unfall involviert wurde, selbst wenn es nur ein kleiner Unfall war. Ersetzen Sie es sofort, da es durch den Unfall möglicherweise unsichtbare strukturelle Schäden aufweist.

Installieren oder verwenden Sie das Kinderrückhaltesystem **NICHT**, ohne die Anweisungen in dieser Anleitung zu befolgen; andernfalls drohen Ihrem Kind ernsthafte oder gar tödliche Verletzungen.

Führen Sie **KEINE** Modifikationen am Kinderrückhaltesystem durch; verwenden Sie es **NICHT** in Verbindung mit Teilen von anderen Herstellern.

Verwenden Sie dieses fortschrittliche Kinderrückhaltesystem **NICHT** ohne die Textilteile.

Verwenden Sie dieses verstärkte Kinderrückhaltesystem **NICHT**, falls es beschädigt ist oder Teile fehlen.

Ziehen Sie Ihrem Kind beim Einsatz dieses Kinderrückhaltesystems **KEINE** übergroßen Kleidungsstücke an; andernfalls kann Ihr Kind nicht ordnungsgemäß und zuverlässig über die Schultergurte und den Schrittgurt zwischen den Beinen gesichert werden.

Transportieren Sie dieses Kinderrückhaltesystem oder andere Gegenstände **NICHT** unangegurtet bzw. ungesichert in Ihrem Fahrzeug, da ungesicherte Gegenstände bei scharfen Kurven, plötzlichem Abbremsen oder einer Kollision umhergeschleudert werden und Insassen verletzen könnten.

Verwenden Sie **NICHTS** außer dem Original Zubehör/Bezügen in diesem Kinderrückhaltesystem.

Bei Unklarheiten oder Fragen, wenden Sie sich bitte an den Hersteller oder Verkäufer.

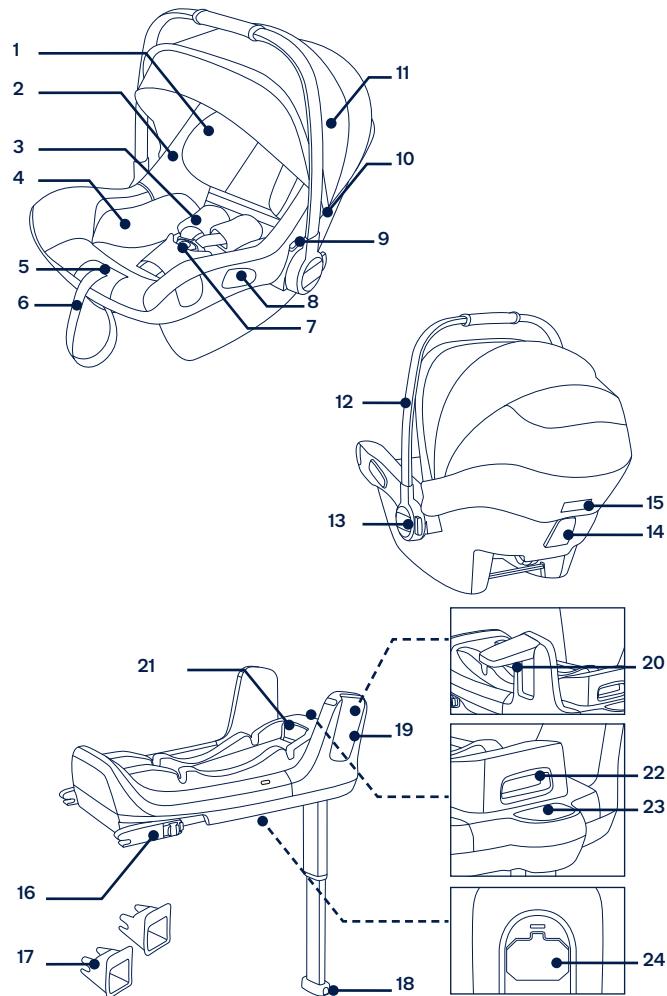
Die Anweisungen sollten während der Einsatzzeit beim verstärkten Kinderrückhaltesystem aufbewahrt werden.

Bitte beachten Sie außerdem die Anweisungen und Warnhinweise im Handbuch des Fahrzeugherstellers.

Teileliste

Überprüfen Sie vor der Montage, ob alle Teile vorhanden sind. Babyschalenmodul und Basis können separat erworben werden. Bitte wenden Sie sich an den örtlichen Händler, falls etwas fehlen sollte. Für die Montage werden keine Werkzeuge benötigt.

- | | | | |
|----|-----------------------------|----|---|
| 1 | Kopfstütze | 14 | Hintere Führung |
| 2 | Sitzauflage | 15 | Kinderwagenfreigabe-knopf B |
| 3 | Schultergurte | 16 | ISOFIX-Verbinder |
| 4 | Kleinkindeinsatz | 17 | ISOFIX-Führungen |
| 5 | Gurtverstellknopf | 18 | Standbein-Einstellknopf |
| 6 | Gurtführungs-einstellung | 19 | Seitlicher Aufprallschutz |
| 7 | Sicherheitsschnalle | 20 | Knopf zum Zurückklappen der Abschirmung |
| 8 | Seitenführungen | 21 | ISOFIX-Einstellknopf |
| 9 | Kinderwagenfreigabe-knopf A | 22 | Babyschalenmodul-Freigabeknopf |
| 10 | Verdeckhalterung | 23 | Standbeinanzeige |
| 11 | Verdeck | 24 | Fach für Gebrauchsanweisung |
| 12 | Griff | | |
| 13 | Griffknopf | | |



Produkt verwenden

Hinweise zur Installation

Dieses Babyschalenmodul eignet sich mit der Basis für Fahrzeugsitze mit i-Size-ISOFIX-Verankerungspunkten. (1)

Verwenden Sie Kinderrückhaltesysteme entgegen der Fahrtrichtung **NICHT** auf Sitzen mit aktivem Front-Airbag. Andernfalls drohen schwere oder sogar tödliche Verletzungen. (2) Weitere Informationen entnehmen Sie bitte dem Fahrzeughandbuch.

Befestigen Sie dieses Kinderrückhaltesystem **NICHT** an Fahrzeugsitzen, die in Bezug auf die Fahrtrichtung zur Seite oder nach hinten weisen. (3)

Es wird eine Installation auf dem Rücksitz hinter dem Beifahrer empfohlen (straßenabgewandte Seite). (4)

Installieren Sie dieses Kinderrückhaltesystem **NICHT** auf Fahrzeugsitzen, die sich während der Installation bewegen.

Griffeinstellung

- 1- Der Griff des Babyschalenmoduls kann auf 3 Positionen eingestellt werden. (5)
- 2- Passen Sie den Griff an, indem Sie zum Lösen die Griffknöpfe an beiden Seiten drücken. (6)-1
- 3- Drehen Sie den Griff, bis er in einer der 3 Positionen einrastet. (6)-2

Installation mit Basisstation

- 1- Klappen Sie den Stützfuß aus dem Aufbewahrungsfach auf. (7)
- 2- Befestigen Sie die ISOFIX-Führungen an den ISOFIX-Verankerungspunkten des Fahrzeugs. (8) Die ISOFIX-Führungen können die Oberfläche des Fahrzeugsitzes vor Verschleiß schützen. Sie sind auch eine Führung für die ISOFIX-Befestigungen.
- 3- Drücken Sie zum Klappen des ISOFIX den ISOFIX-Einstellknopf. (9)
- 4- Richten Sie die ISOFIX-Befestigungen mit den ISOFIX-Führungen aus und rasten Sie beide ISOFIX-Befestigungen in den ISOFIX-Verankerungspunkten des Fahrzeugs ein. (10)

! Achten Sie darauf, dass beide ISOFIX-Befestigungen gut an ihren ISOFIX-Verankerungspunkten befestigt sind. Sie sollten zwei Klickgeräusche hören und die Anzeigen an beiden ISOFIX-Verbindungen sollten vollständig grün sein. (10)-1

! Vergewissern Sie sich, dass die Basisstation sachgemäß installiert ist, indem Sie an beiden ISOFIX-Befestigungen ziehen.

- 5- Ziehen Sie den Stützfuß bis zum Fahrzeugboden aus, nachdem Sie die Basisstation auf dem Fahrzeugsitz platziert haben (11). Wenn die Anzeige des Stützfuß grün wird, weist dies auf eine sachgemäße Installation hin. Rot zeigt an, dass die Installation nicht richtig ausgeführt wurde. (11)-2

! Der Stützfuß hat 19 Positionen. Wenn die Stützfußanzeige rot ist, befindet sich der Stützfuß in der falschen Position.

! Vergewissern Sie sich, dass der Stützfuß komplett auf dem Fahrzeugboden aufliegt.

! Verkürzen Sie den Stützfuß, indem Sie die Stützfuß-Einstelltaste drücken und den Stützfuß nach oben ziehen. (11)-1 Die vollständig montierte Basisstation wird in (12) gezeigt.

! Die ISOFIX-Befestigungen müssen mit den ISOFIX-Verankerungspunkten des Fahrzeugs verbunden und dort eingerastet sein. (12)-1

! Der Stützfuß muss richtig installiert sein, was durch eine grüne Anzeige überprüft werden kann. (12)-2

- 6- Drücken Sie zum Entfernen der Basisstation zunächst den zweiten Verschlussknopf (13)-1 und dann den Knopf (13)-2 an den Steckverbindern, bevor Sie die Basis vom Autositz abnehmen.
- 7- Drücken Sie zum Klappen des ISOFIX den ISOFIX-Einstellknopf.
- 8- Drücken Sie das Babyschalenmodul in die Basisstation (14) nach unten. Wenn das Kinderrückhaltesystem eingerastet ist, öffnet sich der Seitenaufprallschutz und die Anzeige des Kinderrückhaltesystems wird grün. (15) Der Seitenaufprallschutz, zur Fahrzeuginnenseite (türabgewandt) kann bei Bedarf wie in (16) dargestellt geschlossen werden.

! Stellen Sie durch Ziehen am Babyschalenmodul nach oben sicher, dass es richtig in der Basis verriegelt ist.

- 9- Zum Lösen des Babyschalenmoduls ziehen Sie das Kinderrückhaltesystem nach oben, während Sie die Freigabetaste des Babyschalenmoduls gedrückt halten. (17)

Höhenanpassung

für Kopfstütze und Schultergurte

Prüfen Sie, ob sich die Schultergurte auf der richtigen Höhe befinden.

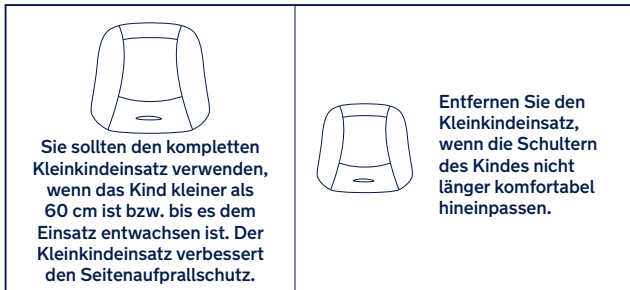
! Schultergurte müssen sich möglichst nah an den Schultern Ihres Kindes (18), dürfen sich jedoch nicht darüber befinden. (19)

- ! Falls sich die Schultergurte nicht auf der richtigen Höhe befinden, könnte das Kind bei einem Unfall aus dem Kinderrückhaltesystem herausgeschleudert werden.

Ziehen Sie den Kopfstützeinstellhebel (20) und schieben Sie die Kopfstütze dann herauf oder herunter, bis sie in einer der 7 Positionen einrastet. Die Positionen der Kopfstütze sind in (21) dargestellt.

Sicherung des Kindes

Verwendung des Kleinkindeinsatzes



Wenn Sie das Kind in den Sitz gesetzt haben, prüfen Sie, ob sich die Schultergurte auf der richtigen Höhe befinden.

- 1 - Ziehen Sie die beiden Schultergurte des Kinderrückhaltesystems vollständig heraus, während Sie den Gurteinstellknopf gedrückt halten. (22)
 - 2 - Lösen Sie den Verschluss der Gurte, indem Sie den roten Knopf drücken. (23)
 - 3 - Setzen Sie das Kind in das Babyschalenmodul, schließen Sie die Schnalle. (25) Bitte beachten Sie (24).
 - 4 - Ziehen Sie die Schultergurte über das Gurtverstellband fest. (26)
- ! Die Schultergurte sollten straff anliegen, um eine optimale Schutzwirkung zu erzielen.

Verdeck

- 1 - Lösen Sie den Reißverschluss des vorderen Verdeckbogens. (27)
- 2 - Ziehen Sie das dream drape™ aus dem Verdeck. (28)
- 3 - Bringen Sie die Magneten an jeder Ecke an der Vorderseite des Babyschalenmoduls mit Magneten an. (29)
- 4 - Das Sichtfenster im Verdeck kann zur Belüftung geöffnet werden. (30)

Textilteile anbringen und entfernen

siehe Abbildungen (31)-(42)

Bringen Sie die Textilteile wieder an, indem Sie die zuvor erwähnten Schritte in umgekehrter Reihenfolge befolgen.

Installation ohne Basisstation

- 1 - Installieren Sie dieses Babyschalenmodul NICHT auf Fahrzeugsitzen, die nur über einen Beckengurt (2-Punkt Gurt) verfügen. (43)
- 2 - Dieses Babyschalenmodul ist für Fahrzeugsitze mit einem 3-Punkt-Sicherheitsgurt (ohne Basis) vorgesehen. (44)
- 3 - Platzieren Sie das Babyschalenmodul auf dem gewünschten Fahrzeugsitz. Ziehen Sie den Fahrzeug-Sicherheitsgurt heraus und verriegeln Sie ihn im Gurtschloss, schieben Sie den Fahrzeug-Beckengurt in die seitlichen Führungen des Babyschalenmoduls. (45)
 - ! Das Babyschalenmodul kann nicht verwendet werden, wenn der Verschluss (Gurtschloss) des Fahrzeugsicherheitsgurt zu lang ist, um das Babyschalenmodul fest zu verankern. (45)-1
- 4 - Schieben Sie den diagonalen Gurt in die hintere Führung. (46)
- 5 - Ziehen Sie nach erfolgreicher Installation am Schultergurtbereich des Fahrzeuggurtes, um Spannung auf den Gurt zu bringen und unnötige Gurtlose zu entfernen. (47)
- 6 - Die Nivellierlinie am Babyschalenmodul sollte parallel zum Boden verlaufen, wenn das Babyschalenmodul installiert wird. (48)
 - ! Spannen Sie den Fahrzeugsicherheitsgurt so weit wie möglich; stellen Sie sicher, dass er nicht locker oder verdreht ist.
 - ! Prüfen Sie nach Installation des Babyschalenmoduls immer, ob die Fahrzeuggurte richtig angelegt und eingearastet sind. (49)

Flugzeuginstallation

- ! Beachten Sie, dass die Sicherheit des Kindes bei Nichteinhaltung der Installations- und Bedienungsanleitung nicht garantiert wird.
- ! Beachten Sie, dass die Installation des Babyschalenmoduls auf einem Fluggastsitz von der Installation auf einem Fahrzeugsitz abweicht.
- ! Beachten Sie, dass eine 2-Punkt-Beckengurt-Anbringung nur in Flugzeugen erlaubt ist.
- ! Beachten Sie, dass das Babyschalenmodul auf dem Fluggastsitz angurgert bleiben muss, selbst wenn es nicht belegt ist.
- ! Beachten Sie, dass das Babyschalenmodul nur bei einem von der Fluggesellschaft genehmigten Fluggastsitz genutzt werden darf.
- ! Warnungen zur Nichtbenutzung des Babyschalenmoduls im Bereich von Airbags. (2)
- ! Beachten Sie, dass ein rückwärts gerichtetes Babyschalenmodul nur auf nach vorne gerichteten Sitzen installiert werden dürfen. (50)

So installieren Sie das Babyschalenmodul mit dem Sicherheitsgurt des Fluggaststizes:

- 1 - Platzieren Sie das Babyschalenmodul entgegen der Flugrichtung auf dem Fluggaststiz.
 - 2 - Achten Sie darauf, dass sich der Tragegriff in der obersten Position befindet.
 - 3 - Platzieren Sie den Sicherheitsgurt in beiden Gurtführungen.
 - 4 - Schließen Sie den Sicherheitsgurt (beachten Sie die Sicherheitsanweisungen der Fluggesellschaft).
 - 5 - Ziehen Sie den Sicherheitsgurt straff, indem Sie am Gurtende ziehen. (51)
- ! Die Schnalle des Sicherheitsgurts darf sich unter keinen Umständen innerhalb der dunkelgrünen Gurtführungen befinden. (52)

Entfernen:

Öffnen Sie den Sicherheitsgurt des Fluggaststizes (beachten Sie die Sicherheitsanweisungen der Fluggesellschaft).

Nun können Sie das Babyschalenmodul vom Fluggaststiz nehmen.

Reinigung und Wartung

Reinigen Sie Gestell, Kunststoffteile und Textilien mit einem feuchten Tuch. Verzichte Sie auf Scheuer- und Bleichmittel. Verwenden Sie keine Silikonöle, da diese Schmutz und Dreck anziehen.

Zur Gewährleistung einer langen Einsatzzeit Ihres Produktes sollten Sie es nach Benutzung bei Regenwetter mit einem weichen, saugfähigen Tuch abwischen.

Beachten Sie beim Reinigen und Trocknen die Pflegeetiketten an den Textilteilen.

Es ist selbst bei gewöhnlichem Gebrauch normal, dass Textilien nach langer Benutzung durch Sonnenlicht verblasen und Verschleißerscheinungen aufweisen.

Verwenden Sie aus Sicherheitsgründen nur Nuna-Originalteile.

Prüfen Sie regelmäßig, ob alles richtig funktioniert. Verwenden Sie das Produkt nicht länger, falls Teile verschlissen oder beschädigt sind oder fehlen.

BELANGRIJK!
DEZE INSTRUCTIES
BEWAREN VOOR
LATER GEBRUIK:
ZORGVULDIG LEZEN

Inhoud

Productinformatie	51
Productregistratie	
Garantie	
Contact	
Vereisten kindergebruik	52
Voor gebruik met voet en zonder voet	53
Waarschuwing	54
Onderdelenlijst	57
Gebruik product	59
Reiniging en onderhoud	64

Productinformatie

Modelnummer: _____

Fabricagedatum: _____

Productregistratie

Vul de bovenstaande informatie in. Het modelnummer en de fabricagedatum bevinden zich op de onderkant van de PIPA next en PIPA next-voet.

Ga voor het registreren van uw product naar:

www.nunababy.com

Klik op de link "Uitrusting registreren" op de homepage.

Garantie

Wij hebben onze hoogwaardige producten opzettelijk zo ontworpen dat ze kunnen mee kunnen groeien met zowel uw kind als uw familie. Omdat wij achter ons product staan, wordt onze uitrusting gedekt door een aangepaste garantie per product, beginnend op de dag van aanschaf. Houd het aankoopbewijs, het modelnummer en de fabricagedatum klaar als u contact met ons opneemt.

Ga voor garantie-informatie naar:

www.nunababy.com

Klik op de link "Garantie" op de homepage.

Contact

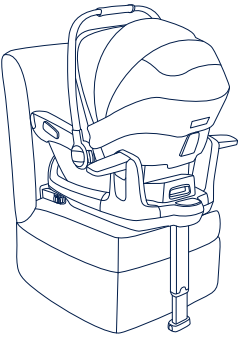
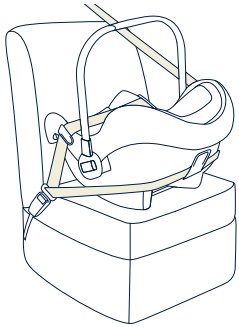
Neem contact op met onze klantenservice-afdelingen voor vervangende onderdelen, service of aanvullende vragen over de garantie.

info@nunababy.com

www.nunababy.com

Vereisten kindergebruik

Dit product is geschikt voor gebruik met kinderen die aan de volgende eisen voldoen:

Figure for Installation	Geschikt voor
	Lengte kind 40 cm-83 cm/ gewicht kind ≤13 kg (ongeveer 15 maanden oud of jonger)
	Lengte kind 40 cm-83 cm/ Gewicht kind ≤ 13kg Leeftijd kind ≤ 15 maanden

Voor gebruik met voet en zonder voet

- 1- “i-Size” (Integral Universal ISOFIX Enhanced Child Restraint Systems) is een categorie van het kinderzitstelsel dat in de eerste plaats is ontworpen voor gebruik bij alle i-Size-stoelposities van een voertuig.
- 2- Volgens de VN-verordening nr. 129 is het verbeterde kinderzitje met voet een Universeel ISOFIX verbeterd kinderzitje en moet dit worden gemonteerd met de ISOFIX-aansluitingen.
- 3- Dit is een “i-Size” verbeterd kinderzitstelsel. Het is goedgekeurd volgens VN-verordening nr. 129 voor gebruik in voor “i-Size geschikte” standen van autostoelen zoals is aangegeven door de fabrikant van de auto in de handleiding.
- 4- Dit is een universeel verbeterd kinderzitstelsel met gordel. Het is goedgekeurd volgens VN-verordening nr. 129 voor gebruik in voornamelijk “universele zitstanden” zoals is aangegeven door de fabrikant van de auto in de handleiding.
- 5- Neem in geval van twijfel contact op met de fabrikant van het verbeterde kinderzitstelsel of de verkoper.
- 6- PIPA next-kinderzitje is compatibel met:
 - PIPA next base
 - ARRA base
 - BASE next

Raadpleeg de ARRA-instructiehandleiding voor de installatie van de ARRA base.

Raadpleeg de instructiehandleiding van de BASE next voor de installatie van de BASE next.

⚠️ WAARSCHUWING

Niet-naleving van de waarschuwingen en de instructies kan ernstig letsel of de dood veroorzaken.

Alle riemen waarmee de babydraagmodule aan het voertuig is bevestigd, de steunvoet moet in contact staan met de vloer van het voertuig en de riemen die het kind vastzetten, moeten worden afgesteld op het lichaam van het kind. De riemen mogen niet gedraaid zijn.

Nadat uw kind in dit verbeterde kinderzitje is geplaatst, moet u de veiligheidsriem goed gebruiken.

Bagage en andere voorwerpen die in geval van botsing letsel kunnen veroorzaken, moeten goed zijn vastgezet.

Zorg ervoor dat het verbeterde kinderzitje op zo'n manier geïnstalleerd wordt dat onderdelen niet in de weg zitten bij verplaatsbare stoelen of bij de werking van autodeuren.

Voordat u de babydraagmodule met de hand draagt, moet u ervoor zorgen dat het kind vastzit met de veiligheidsgordels en dat het handvat goed is vergrendeld in een verticale stand.

Neem contact op met de distributeur over onderhoud, reparaties en vervangen van onderdelen.

De juiste installatie is alleen toegestaan met de ISOFIX-connectoren.

Controleer de ISOFIX-geleiders regelmatig op vuil en maak ze zo nodig schoon. De betrouwbaarheid loopt terug door het binnendringen van vuil, stof, voedselresten, enz.

Controleer voordat u dit verbeterde kinderzitje koopt of u het in uw auto kunt installeren.

Houd dit verbeterde kinderzitje zonder stoffen kap uit de buurt van zonlicht, omdat het te heet kan worden voor de huid van uw kind. Raak het verbeterde kinderzitje altijd aan voordat u het kind erin plaatst.

Om dit verbeterde kinderzitje met de ISOFIX-aansluitingen volgens VN-verordening nr. 129 te kunnen gebruiken, moet uw kind aan de volgende voorwaarden voldoen.

Lengte kind 40 cm-83 cm/gewicht kind ≤ 13 kg (ongeveer 15 maanden oud of jonger).

Uw kind moet voldoen aan de volgende voorwaarden voldoen om deze babydraagmodule met autogordels te gebruiken.

Langte kind 40 cm-83 cm / Gewicht kind ≤13 kg / Leeftijd kind ≤15 maanden.

De zachte onderdelen van het verbeterde kinderzitstelsel mogen niet worden vervangen door andere dan de door de fabrikant aanbevolen onderdelen, omdat de zachte onderdelen een integraal onderdeel uitmaken van de werking van het kinderzitstelsel.

Om uit het zitje vallen te vermijden, moet u het kind altijd met de veiligheidsgordels vastmaken als u het in de babydraagmodule zet, ook als het verbeterde kinderzitstelsel zich niet in het auto bevindt.

Om ernstig letsel of de dood te vermijden, mag u de babydraagmodule **NOOIT** op een hogere stoel plaatsen terwijl het kind er in zit.

De onderdelen van dit verbeterde kinderzitstelsel mogen niet worden ingevet.

Haal deze babydraagmodule uit de auto als het niet regelmatig gebruikt wordt.

Zet het kind **ALTIJD** vast in het verbeterde kinderzitstelsel, zelfs op korte tochtjes, omdat daarbij de meeste ongelukken plaatsvinden.

Laat uw kind **NOOIT** zonder toezicht achter in het verbeterde kinderzitstelsel.

Gebruik **NOOIT** een tweedehands verbeterd kinderzitstelsel of een verbeterd kinderzitstelsel waarvan u de afkomst niet kent, omdat deze structurele schade kan bevatten die de veiligheid van uw kind in gevaar brengt.

Gebruik **NOOIT** touwen of andere vervangingsmiddelen om het verbeterde kinderzitstelsel in de auto vast te zetten of het kind in het verbeterde kinderzitstelsel vast te maken.

GEEN ENKEL verbeterd kinderzitstelsel biedt volledige bescherming tegen letsel bij een ongeluk. Maar het juiste gebruik van het verbeterde kinderzitstelsel vermindert het risico van ernstig letsel of de dood.

Gebruik **NIET** de naar achteren kijkende verbeterde kinderzitstelsels in stoelposities waarbij een actieve frontale airbag is geïnstalleerd. Dit kan de dood of ernstig letsel als gevolg hebben. Zie de handleiding van het voertuig voor meer informatie.

Plaats **GEEN** voorwerpen in het beengebied voor de voet.

Gebruik **GEEN** andere lastdragende contactpunten dan degene die in de aanwijzingen worden beschreven en die op het verbeterde kinderzitstelsel zijn aangegeven.

Gebruik dit verbeterde kinderzitstelsel **NIET** nadat het bij een ongeluk betrokken is geweest, zelfs niet bij een klein ongeluk. Vervang het direct, omdat er onzichtbare structurele schade kan zijn ontstaan door de botsing.

Installeer dit verbeterde kinderzitstelsel **NIET** zonder de aanwijzingen en waarschuwingen in deze handleiding te volgen, anders brengt u uw kind ernstig in gevaar.

Breng **GEEN** veranderingen aan dit verbeterde kinderzitstelsel aan en gebruik het niet in combinatie met onderdelen van andere fabrikanten.

Gebruik het verbeterde kinderzitstelsel **NIET** zonder de zachte onderdelen.

Gebruik dit verbeterde kinderzitstelsel **NIET** als het is beschadigd of als onderdelen ontbreken.

Kleed uw kind **NIET** in te ruimzittende kleding, omdat dit kan voorkomen dat uw kind goed en stevig wordt vastgezet met de schoudergordels en de kruisriem tussen de benen.

Laat dit verbeterde kinderzitstelsel, of andere items, **NIET** los of niet goed bevestigd in de auto staan omdat een niet goed vastgezet verbeterd kinderzitstelsel rondgeslingerd kan worden en de inzittenden kan verwonden bij een scherpe bocht, plotseling remmen of een botsing.

Plaats **ALLEEN** de aanbevolen binnenkussens in dit verbeterde kinderzitstelsel.

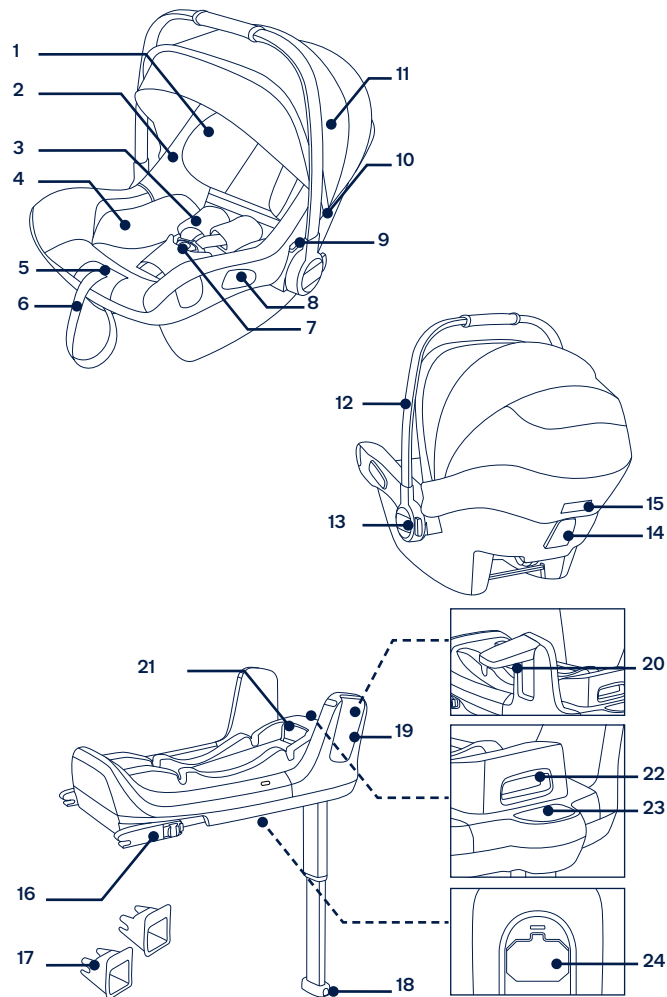
De instructies moeten gedurende de gehele levensduur worden bewaard bij het verbeterde kinderzitstelsel.

Let tevens op de instructies en waarschuwingen in het handboek van de fabrikant van het voertuig.

Onderdelenlijst

Zorg dat alle onderdelen voor het opslaan droog zijn. De babydraagmodule en de voet kunnen apart worden verkocht. Neem contact op met de lokale verkoper in geval van een ontbrekend onderdeel. Voor de montage is geen gereedschap nodig.

- | | | | |
|----|------------------------------|----|---------------------------------|
| 1 | Hoofdsteun | 13 | Knop greep |
| 2 | Zitkussen | 14 | Achterste geleider |
| 3 | Banden schoudergordel | 15 | Ontgrendelknop B wandelwagen |
| 4 | Baby-inzetstuk | 16 | ISOFIX-aansluiting |
| 5 | Instelknop voor de riemen | 17 | ISOFIX-geleiders |
| 6 | Instellen gordel | 18 | Instelknop steunvoet |
| 7 | Veiligheidsgesp | 19 | Afscherming voor inslag opzij |
| 8 | Zijgeleiders | 20 | Terugvouwknop afscherming |
| 9 | Ontgrendelknop A wandelwagen | 21 | ISOFIX-instelknop |
| 10 | Kaphouder | 22 | Ontgrendelknop babydraagmodule |
| 11 | Kap | 23 | Steunvoetindicator |
| 12 | Handgreep | 24 | Opslagvak instructiehandleiding |



Gebruik product

Opletten bij installatie

Deze babydraagmodule is geschikt voor autostoelen met i-Size ISOFIX-ankerpunten met de voet. **(1)**

Gebruik **NIET** de naar achteren kijkende verbeterde kinderzitsystemen in stoelposities waarbij een actieve frontale airbag is geïnstalleerd. Dit kan de dood of ernstig letsel als gevolg hebben. **(2)** Zie de handleiding van de auto voor meer informatie.

Installeer dit verbeterde kinderzitje **NIET** op stoelen die opzij of naar achteren kijken ten opzichte van de rijrichting van het voertuig. **(3)**

Aanbevolen wordt om dit verbeterde kinderzitje op de autostoel achter te plaatsen. **(4)**

Installeer het verbeterde kinderzitje **NIET** op autostoelen die tijdens de installatie bewegen.

Handvataanpassing

- 1 - Het handvat van de babydraagmodule is in 3 standen instelbaar. **(5)**
- 2 - Om de handgreep af te stellen, knijpt u de aan beide zijden samen om het te ontgrendelen. **(6)-1**
- 3 - Draai de greep tot deze in een van de 3 standen klikt. **(6)-2**

Installatie met voet

- 1 - Vouw de steunvoet uit het opslagvak. **(7)**
 - 2 - Voorzie de ISOFIX-geleiders van de ISOFIX-ankerpunten. **(8)** De ISOFIX-geleiders voorkomen dat het oppervlak van de autostoel gescheurd wordt. Ze kunnen tevens de ISOFIX-aansluitingen geleiden.
 - 3 - Druk op de ISOFIX-instelknop om de ISOFIX-aansluitingen in te stellen. **(9)**
 - 4 - Lijn de ISOFIX-aansluitingen uit met de ISOFIX-ankerpunten en klik beide ISOFIX-aansluitingen in de ISOFIX-ankerpunten. **(10)**
- ! Controleer of beide ISOFIX-aansluitingen stevig vast zitten aan hun ISOFIX-ankerpunten. U moet twee klikken horen en de kleuren van de indicatoren op beide ISOFIX-aansluitingen moeten groen zijn. **(10)-1**
- ! Controleer of de voet goed vast zit door aan beide ISOFIX-aansluitingen te trekken.

- 5 - Nadat de voet op de voertuigstoel is geplaatst, moet u de steunvoet tot de vloer verlengen **(11)**. Wanneer de indicator van de steunvoet groen is, betekent dit dat de voet correct is geïnstalleerd. Rood wijst op een onjuiste installatie. **(11)-2**

! De steunvoet heeft 19 standen. Als de steunvoetindicator rood is, betekent dit dat de steunvoet in de verkeerde stand staat.

! Zorg ervoor dat de steunvoet volledig in contact is met de vloer van het voertuig.

! Om de steunvoet in te korten, knijpt u de ontgrendelingsknop van de steunvoet in en trekt u deze omhoog. **(11)-1**
De volledig gemonteerde voet wordt afgebeeld in **(12)**.

! De ISOFIX-aansluitingen moeten worden aangesloten en vergrendeld in de ISOFIX-ankerpunten. **(12)-1**

! De steunvoet moet goed zijn geplaatst en de indicator moet groen zijn. **(12)-2**

- 6 - Om de voet te verwijderen, drukt u de tweede vergrendelingsknop **(13)-1** eerst in en daarna de knop **(13)-2** op de veerslotaansluitingen voordat u de voet van de autostoel verwijdert.

7 - Druk op de ISOFIX-instelknop om de ISOFIX op te vouwen.

8 - Druk de babydraagmodule omlaag in de voet **(14)**. Als het verbeterde kinderzitje goed vast zit, is de afscherming voor inslag opzij open en de indicator van het verbeterde kinderzitje is groen. **(15)** De afscherming voor inslag opzij die weg staat van de deur, kan worden gesloten als getoond in **(16)** wanneer het niet wordt gebruikt.

! Trek de babydraagmodule omhoog om te controleren of deze goed vast zit op de voet.

- 9 - Om de babydraagmodule vrij te geven, trekt u het verbeterde kinderzitje omhoog terwijl u de knop voor vrijgave van de babydraagmodule indrukt. **(17)**

Hoogteafstelling

voor hoofdsteun en schouderriemen

Controleer of de schoudergordels op de juiste hoogte zijn ingesteld. Kies het juiste paar schoudergordelsleuven overeenkomstig de lengte van het kind.

! Steek schoudergordels in de leuven die zich het dichtst bij de schouders van de baby bevinden **(18)**, maar niet boven de schouderlijn. **(19)**

! Als de schoudergordels zich niet op de juiste hoogte bevinden, kan het kind van het verbeterde kinderzitje geworpen worden bij een ongeluk.

Trek aan de hendel voor de afstelling van de hoofdsteun (20) en trek tegelijkertijd de hoofdsteun op of druk het omlaag tot het in een van de 7 standen klikt. De standen van de hoofdsteun zijn afgebeeld in (21).

Het kind vastzetten

Het babyinzetstuk gebruiken



Nadat het kind in het zitje is geplaatst, moet u controleren of de schouderriemen op de juiste hoogte zitten.

- 1 - Houd de instelknop voor de gordels ingedrukt en trek aan de twee schouderriemen van het verbeterde kinderzitje. (22)
 - 2 - Maak de gesp van de gordels los door op de rode knop te drukken. (23)
 - 3 - Zet het kind in de babydraagmodule en sluit de gesp. (25) Raadpleeg (24).
 - 4 - Trek aan de instelsingels om de schoudergordels strak te trekken. (26)
- ! Zorg ervoor dat de ruimte tussen het kind en de schouderriemen ongeveer de dikte van een hand is.

Kap

- 1 - Maak de rits los van de voorste strik van de kap. (27)
- 2 - Trek de dream drape™ uit de kap. (28)
- 3 - Bevestig de magneten op elke hoek op de voorkant van de babydraagmodule met magneten. (29)
- 4 - Het raampje van de kap kan worden geopend voor ventilatie. (30)

Zachte voorwerpen los- en vastmaken

zie afbeeldingen (31)-(42)

Volg de eerder vermelde stappen in omgekeerde volgorde om de zachte onderdelen opnieuw te monteren.

Installatie zonder voet

- 1 - NIET de babydraagmodule installeren op autostoelen met een heupgordel. (43)
 - 2 - Deze babydraagmodule is uitsluitend geschikt voor autostoelen met driepunts veiligheidsgordels (zonder voet). (44)
 - 3 - Plaats de babydraagmodule op de zitplaats waar u het wilt gebruiken. Trek aan de veiligheidsriem van de auto en zet deze vast in de gesp, waarbij u de schootriem van de autogordel door de zijgeleiders van de babydraagmodule voert. (45)
- ! De babydraagmodule kan niet worden gebruikt als de gesp van de veiligheidsriem (vrouwelijke gespkant) te lang is om de babydraagmodule veilig vast te zetten. (45)-1
- 4 - Schuif de diagonale riem in de achterste geleider. (46)
 - 5 - Trek de schouderriem van de autogordel aan om de babydraagmodule stevig en veilig vast te zetten. (47)
 - 6 - De horizontale lijn op de babydraagmodule moet evenwijdig met de grond zijn als de babydraagmodule is geïnstalleerd. (48)
- ! Maak de autogordel zo strak mogelijk vast en controleer of deze niet los zit of gedraaid is.
- ! Na het installeren van de babydraagmodule moet u altijd controleren of de autogordels goed geplaatst zijn en stevig vastzitten in de gesp van de auto. (49)

Installatie in vliegtuig

- ! Denk eraan dat de veiligheid van het kind niet is gegarandeerd door het niet opvolgen van de installatie- en instructiehandleiding.
- ! Denk eraan dat de installatie van de babydraagmodule in een vliegtuigstoel anders is dan de installatie op een autostoel.
- ! Denk eraan dat de bevestiging van de “schootriem” met 2 punten alleen toegestaan is in een vliegtuig.
- ! Denk eraan dat de babydraagmodule in de gordel moet blijven op een vliegtuigstoel, zelfs als er geen kind inzit.
- ! Denk eraan dat de babydraagmodule alleen voor gebruik is op een passagiersstoel geautoriseerd door de luchtvaartmaatschappij.
- ! Waarschuwingen om de babydraagmodule niet te gebruiken in het werkingsgebied van een airbag. (2)
- ! Denk eraan dat de naar achter kijkende babydraagmodule alleen mag worden geïnstalleerd op naar voren kijkende passagiersstoelen. (50)

Het installeren van de babydraagmodule met gebruik van de veiligheidsgordel van de vliegtuigstoel:

- 1 Plaats de babydraagmodule tegengesteld aan de vliegrichting nop de passagiersstoel.
 - 2 Zorg ervoor dat de draaggreep in de bovenste stand staat.
 - 3 Plaats de veiligheidsriem in beide riemgeleiders.
 - 4 Sluit de veiligheidsriem (raadpleeg de veiligheidsinstructies van de luchtvaartmaatschappij).
 - 5 Maak de veiligheidsriem vast door aan het riemuiteinde te trekken. (51)
- ! De gesp van de veiligheidsriem mag in geen geval binnen de donkergroene riemgeleiders liggen. (52)

Verwijdering:

Open de veiligheidsriem van de passagiersstoel (raadpleeg de veiligheidsinstructies van de luchtvaartmaatschappij). Nu kunt u de babydraagmodule van de passagiersstoel halen.

Reiniging en onderhoud

Reinig het frame, de plastic onderdelen en het weefsel met een vochtige doek, maar gebruik geen schurende middelen of bleekwater. Gebruik geen silicone smeermiddelen omdat ze vuil en roet aantrekken.

Om er voor te zorgen dat de kinderwagen lang meegaat, moet u hem na gebruik in de regen afvegen met een zachte absorberende doek.

Raadpleeg de verzorgingslabels die aan de zachte goederen zijn bevestigd voor was- en drooginstructies.

Het is normaal dat materialen verkleuren door blootstelling aan zonlicht en na langdurig gebruik slijtage vertonen, zelfs bij gangbaar gebruik.

Uit veiligheidsoverwegingen mag u uitsluitend originele onderdelen van Nuna gebruiken.

Controleer regelmatig of alles nog goed werkt. Gebruik de kinderwagen niet meer als onderdelen zijn gescheurd, gebroken of ontbreken.

**IMPORTANTE!
CONSERVARE
PER FUTURE
CONSULTAZIONI:
*LEGGERE
ATTENTAMENTE***

Indice

Informazioni sul prodotto	67
Registrazione del prodotto	
Garanzia	
Contatto	
Requisiti di utilizzo da parte del bambino	68
Uso con la base e senza base	69
Avvertenza	70
Elenco parti	73
Uso del prodotto	75
Pulizia e manutenzione	80

Informazioni sul prodotto

Numero modello: _____

Prodotto in data: _____

Registrazione del prodotto

Inserire le precedenti informazioni. Numero modello e data di produzione si trovano sulla parte inferiore di PIPA next e base di PIPA next.

Per registrare il prodotto, visitare il sito:

www.nunababy.com

Fare clic sul link "Registra dispositivo" nella homepage.

Garanzia

Abbiamo progettato appositamente i nostri prodotti di alta qualità in modo che crescano con il bambino e con la famiglia. Poiché crediamo nel nostro prodotto, i meccanismi sono coperti da una garanzia personalizzata per prodotto che comincia dal giorno dell'acquisto. Al momento di contattarci, sono necessari la prova d'acquisto, il numero di modello e la data di produzione.

Per informazioni sulla garanzia, visitare il sito:

www.nunababy.com

Fare clic sul link "Garanzia" nella homepage.

Contatto

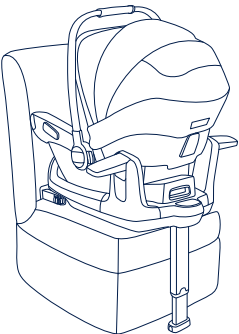
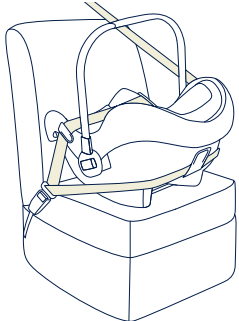
Per la sostituzione di parti, manutenzione o domande sulla garanzia, contattare il dipartimento di assistenza al cliente.

info@nunababy.com

www.nunababy.com

Requisiti di utilizzo da parte del bambino

Questo prodotto è adatto per l'uso con bambini con i seguenti requisiti:

Figura per l'installazione	Adatto per
	Altezza del bambino 40 cm-83 cm/ Peso del bambino \leq 13 kg (circa 15 mesi o meno)
	Altezza del bambino 40 cm-83 cm/Peso bambino \leq 13 kg Età bambino \leq 15 mesi

Uso con la base e senza base

- 1- “i-Size” (sistemi universali di ritenuta integrale per bambini migliorato ISOFIX) è una categoria di sistema di ritenuta per bambini migliorato progettato particolarmente per l'uso in tutte le posizioni di seduta i-Size di un veicolo.
- 2- In conformità alla Normativa UN N. 129, il sistema di ritenuta per bambini migliorato con base è un sistema universale ISOFIX e deve essere montato con attacchi ISOFIX.
- 3- È un sistema di ritenuta per bambini migliorato “i-Size”. È omologato in conformità alla normativa UN N. 129, per l'uso a bordo dei veicoli compatibili i-Size nelle posizioni di seduta indicate dal produttore nel manuale dell'utente del veicolo.
- 4- È un sistema di ritenuta per bambini migliorato allacciato universale. È omologato alla Normativa UN N. 129, per l'uso principale in “posizioni dei sedili universali”, come indicato dai produttori dei veicoli nel manuale dell'utente del veicolo.
- 5- In caso di dubbi, consultare il produttore o il rivenditore del sistema di ritenuta per bambini migliorato.
- 6- Il sistema di ritenuta per bambini PIPA next è compatibile con:
 - PIPA next base
 - ARRA base
 - BASE next

Fare riferimento al manuale di istruzioni ARRA per l'installazione della ARRA base.

Fare riferimento al manuale di istruzioni di BASE next per l'installazione di BASE next.

AVVERTENZA

La mancata osservanza delle seguenti avvertenze e istruzioni potrebbe causare lesioni gravi o decesso.

Le cinghie che fissano il modulo culla portatile al veicolo devono essere strette, I supporti devono essere a contatto con il pianale del veicolo e le cinghie del bambino devono essere adattate al suo corpo. Le cinghie non devono essere attorcigliate.

Dopo aver messo il bambino nel sistema di ritenuta per bambini migliorato, utilizzare correttamente la cintura di sicurezza.

I bagagli o altri oggetti che potrebbero causare lesioni in caso di collisione devono essere fissati adeguatamente.

Assicurarsi che il sistema di ritenuta per bambini migliorato sia installato in modo tale che nessun componente interferisca con i seggiolini mobili o con il funzionamento degli sportelli del veicolo.

Prima di trasportare a mano il modulo culla portatile, assicurarsi che il bambino sia bloccato con l'apposita cintura e che la maniglia sia correttamente bloccata in posizione verticale.

Rivolgersi al rivenditore per problemi relativi a manutenzione, riparazione e sostituzione dei pezzi.

Una corretta installazione è consentita solo con agganci ISOFIX.

Controllare frequentemente la presenza di sporcizia nelle guide ISOFIX e pulirle se necessario. L'affidabilità può essere ridotta dalla penetrazione di sporcizia, polvere, residui di cibo, ecc.

Prima di acquistare questo sistema di ritenuta per bambini migliorato, assicurarsi che possa essere installato correttamente nel veicolo.

Tenere il sistema di ritenuta per bambini migliorato senza fodera in tessuto lontano dalla luce del sole per evitare di causare ustioni alla pelle del bambino. Toccare sempre il sistema di ritenuta per bambini migliorato prima di far sedere il bambino.

Per utilizzare il sistema di ritenuta per bambini migliorato con agganci ISOFIX in conformità alla Normativa UN N. 129, il bambino deve soddisfare i seguenti requisiti.

Altezza del bambino 40 cm-83 cm/Peso del bambino \leq 13 kg (circa 15 mesi o meno).

Per utilizzare questo modulo culla portatile con la cintura per auto, il bambino deve soddisfare i seguenti requisiti.

Peso bambino ≤ 13 kg/Età bambino ≤ 15 mesi.

Il rivestimento imbottito del sistema di ritenuta per bambini migliorato deve essere sostituito con altri consigliati dal produttore, in quanto costituiscono parte integrante delle prestazioni del sistema di ritenuta.

Per evitare il rischio di caduta, proteggere sempre il bambino con l'apposita cintura quando viene posto nel modulo culla portatile, anche quando il sistema di ritenuta per bambini migliorato non è nel veicolo.

Per evitare lesioni gravi o decesso, **NON** collocare il modulo culla portatile su superfici elevate con il bambino all'interno.

I componenti del sistema di ritenuta per bambini migliorato non devono essere mai lubrificati.

Rimuovere il modulo culla portatile e la base dal sedile del veicolo se non vengono usati frequentemente.

Fissare **SEMPRE** il sistema di ritenuta per bambini migliorato, anche per brevi viaggi, ovvero quando si verificano la maggior parte degli incidenti.

NON lasciare mai il bambino incustodito con questo sistema di ritenuta per bambini migliorato.

NON utilizzare un sistema di ritenuta per bambini migliorato di seconda mano o del quale non si conoscono i precedenti perché potrebbe avere danni strutturali che mettono in pericolo la sicurezza del bambino.

NON utilizzare corde o simili per fissare il sistema di ritenuta per bambini migliorato nel veicolo o bloccare il bambino nel sistema di ritenuta migliorato.

NESSUN sistema di ritenuta per bambini migliorato è in grado di garantire una protezione completa da lesioni in caso di incidenti. Tuttavia, l'uso corretto del sistema di ritenuta per bambini migliorato riduce il rischio di lesioni gravi o mortali per il bambino.

NON usare sistemi di ritenuta per bambini migliorati in modalità contraria al senso di marcia nei sedili in cui è installato un airbag anteriore attivo. Potrebbero verificarsi lesioni gravi o il decesso. Per ulteriori informazioni, fare riferimento al manuale del veicolo.

NON collocare oggetti sulla superficie della base.

NON utilizzare alcun carico sui punti di contatto diversi da quelli descritti nelle istruzioni e contrassegnati sul sistema di ritenuta per bambini migliorato.

NON continuare ad utilizzare questo sistema di ritenuta per bambini migliorato dopo alcun incidente, anche di piccola entità. Sostituirlo immediatamente in quanto potrebbe aver subito danni strutturali non visibili a seguito dell'incidente.

NON installare il sistema di ritenuta per bambini migliorato senza osservare le istruzioni del presente manuale. Si potrebbero causare lesioni o decesso.

NON apportare modifiche a questo sistema di ritenuta per bambini migliorato e non utilizzarlo con componenti di altri produttori.

NON usare questo sistema di ritenuta per bambini migliorato senza il rivestimento imbottito.

NON utilizzare questo sistema di ritenuta per bambini migliorato se presenta danni o parti mancanti.

NON vestire il bambino con indumenti troppo grandi, in quanto si potrebbe impedire al bambino di essere correttamente e saldamente allacciato con le cinture per le spalle e la cintura spartigambe.

NON lasciare questo sistema di ritenuta per bambini migliorato o altri elementi non allacciati all'interno del veicolo in quanto possono essere sbalzati, con conseguenti lesioni per i passeggeri in una curva brusca, un arresto improvviso o un urto.

NON utilizzare cuscini interni diversi da quelli consigliati per questo sistema di ritenuta per bambini migliorato.

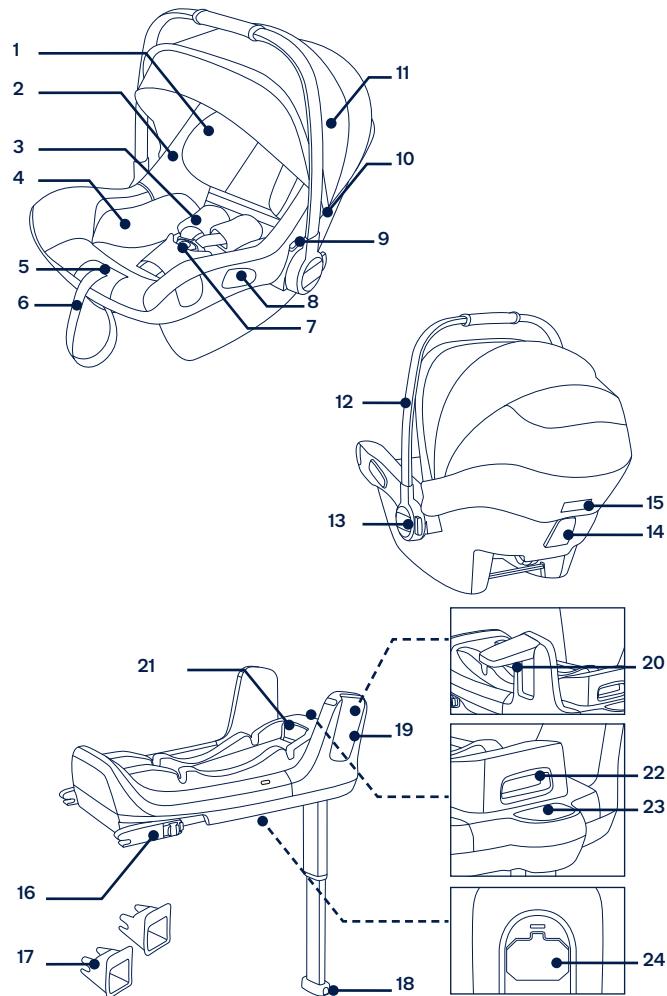
Le istruzioni devono essere conservate sul sistema di ritenuta per bambini migliorato per tutta la durata.

Inoltre, prestare attenzione alle istruzioni e alle avvertenze nel manuale del produttore del veicolo.

Elenco parti

Assicurarsi che tutti i pezzi siano disponibili prima dell'assemblaggio. Il modulo culla portatile e la base possono essere venduti separatamente. Se manca qualche pezzo, contattare il rivenditore locale. Per l'assemblaggio non è necessario nessun attrezzo.

- | | | | |
|----|---------------------------------------|----|--|
| 1 | Poggiatesta | 14 | Guida posteriore |
| 2 | Imbottitura | 15 | Pulsante di rilascio del passeggino B |
| 3 | Bretelle | 16 | Attacco ISOFIX |
| 4 | Insero per neonati | 17 | Guide ISOFIX |
| 5 | Pulsante di regolazione della cintura | 18 | Pulsante di regolazione supporto |
| 6 | Regolatore | 19 | Protezione da impatto laterale |
| 7 | Fibbia di sicurezza | 20 | Pulsante per ripiegare la protezione |
| 8 | Guide laterali | 21 | Pulsante di regolazione ISOFIX |
| 9 | Pulsante di rilascio del passeggino A | 22 | Pulsante di rilascio del sistema di ritenuta per bambini |
| 10 | Supporto tettuccio | 23 | Indicatore supporto |
| 11 | Tettuccio | 24 | Vano di conservazione del manuale di istruzioni |
| 12 | Maniglia | | |
| 13 | Pulsante dell'impugnatura | | |



Uso del prodotto

Dubbi sull'installazione

Questo modulo culla portatile è adatta per sedili dei veicoli con punti di ancoraggio i-Size ISOFIX con la base. (1)

NON usare sistemi di ritenuta per bambini migliorati in modalità contraria al senso di marcia nei sedili in cui è installato un airbag anteriore attivo. Potrebbero verificarsi lesioni gravi o il decesso. (2) Per ulteriori informazioni, fare riferimento al manuale del veicolo.

NON installare questo sistema di ritenuta per bambini migliorato su sedili dei veicoli rivolti lateralmente o verso la parte posteriore rispetto al senso di marcia del veicolo. (3)

Si raccomanda di installare questo sistema di ritenuta per bambini migliorato sul sedile posteriore del veicolo. (4)

NON installare questo sistema di ritenuta per bambini migliorato su sedili dei veicoli che si sono rivelati mobili durante l'installazione.

Regolazione della maniglia

- 1 - La maniglia del modulo culla portatile può essere regolata in 3 posizioni. (5)
- 2 - Per regolare la posizione della maniglia, premere i pulsanti dell'impugnatura su entrambi i lati per rilasciarla. (6)-1
- 3 - Ruotare la maniglia finché non scatta in una delle 3 posizioni. (6)-2

Installazione con base

- 1 - Aprire il supporto dal vano. (7)
- 2 - Montare le guide ISOFIX con i punti di ancoraggio ISOFIX. (8) Le guide ISOFIX possono proteggere la superficie del sedile del veicolo dalla torsione. Possono anche guidare gli attacchi ISOFIX.
- 3 - Premere il pulsante di regolazione ISOFIX per regolare gli attacchi ISOFIX. (9)
- 4 - Allineare gli attacchi ISOFIX con le guide ISOFIX, quindi fare clic su entrambi gli attacchi ISOFIX nei punti di ancoraggio ISOFIX. (10)

! Assicurarsi che entrambi gli attacchi ISOFIX siano saldamente fissati ai relativi punti di ancoraggio ISOFIX. Si devono avvertire due clic e il colore degli indicatori su entrambi gli attacchi ISOFIX deve essere completamente verde. (10)-1

! Assicurarsi che la base sia installata saldamente tirando entrambi gli attacchi ISOFIX.

- 5 - Dopo aver posizionato la base sul sedile del veicolo, aprire il supporto sul pianale (11). Se l'indicatore del supporto è verde significa che è installato correttamente; se è rosso significa che è installato in modo non corretto. (11)-2

! Il supporto presenta 19 posizioni. Se l'indicatore del supporto è rosso significa che il supporto è in una posizione non corretta.

! Assicurarsi che il supporto sia a contatto con il pianale del veicolo.

! Per accorciare il supporto, premere il pulsante di rilascio del supporto, quindi tirare il supporto verso l'alto. (11)-1
La base completamente montata viene mostrata in (12).

! Gli attacchi ISOFIX devono essere fissati e bloccati sui punti di ancoraggio ISOFIX. (12)-1

! Il supporto deve essere installato correttamente con l'indicatore verde. (12)-2

- 6 - Per rimuovere la base, premere il pulsante di bloccaggio secondario (13)-1, quindi il pulsante (13)-2 sui connettori di fermo prima di rimuovere la base dal sedile del veicolo.

- 7 - Premere il pulsante di regolazione ISOFIX per piegare gli attacchi ISOFIX.

- 8 - Spingere verso il basso il modulo culla portatile nella base (14). Se il sistema di ritenuta per bambini migliorato è fissato, la protezione da impatto laterale si apre e l'indicatore di blocco del sistema di ritenuta per bambini migliorato diventa verde. (15) La protezione da impatto laterale lontana dalla porta può essere chiusa come mostrato su (16) quando non la si usa.

! Sollevare il modulo culla portatile per assicurarsi che sia bloccata saldamente nella base.

- 9 - Per rilasciare il modulo culla portatile, tirare verso l'alto il sistema di ritenuta per bambini migliorato premendo il pulsante di rilascio del modulo culla portatile. (17)

Regolazione dell'altezza

del poggiatesta e delle cinture per le spalle

Controllare che le bretelle siano all'altezza appropriata. Scegliere un paio adeguato di fessure per cinture per le spalle in base all'altezza del bambino.

- ! Le bretelle devono trovarsi vicino alle spalle dei bambini (18), ma non oltre la linea delle spalle. (19)
- ! Se le cinture per le spalle non sono all'altezza appropriata, il bambino potrebbe essere espulso dal sistema di ritenuta per bambini migliorato in caso di incidente.

Tirare la leva di regolazione del poggiatesta (20), quindi tirare verso l'alto o spingere verso il basso il poggiatesta finché non scatta in una delle 7 posizioni. Le posizioni del poggiatesta sono mostrate in (21).

Bloccaggio del bambino

Uso della fascia per neonati



Una volta sistemato il bambino nel seggiolino, verificare che le bretelle siano all'altezza adeguata.

- 1 - Premendo il pulsante di regolazione cintura, tirare completamente le due bretelle del sistema di ritenuta per bambini migliorato. (22)
 - 2 - Sganciare la fibbia delle bretelle premendo il pulsante rosso. (23)
 - 3 - Mettere il bambino nel modulo culla portatile e agganciare la fibbia. (25) Fare riferimento a (24).
 - 4 - Stringere le bretelle, tirando il regolatore. (26)
- ! Assicurarsi che lo spazio tra il bambino e le cinture per le spalle sia di circa lo spessore di una mano.

Tettuccio

- 1 - Aprire la cerniera della parte anteriore del tettuccio. (27)
- 2 - Estrarre il Dream Drape™ dal tettuccio. (28)
- 3 - Fissare i magneti in ogni angolo nella parte anteriore del modulo culla portatile con magneti. (29)
- 4 - È possibile aprire la finestrella del tettuccio per ventilazione. (30)

Rimozione e montaggio del rivestimento imbottito

vedere le immagini (31)-(42)

Per rimontare il rivestimento imbottito, invertire le procedure di cui sopra.

Installazione senza base

- 1 - **NON** installare questo modulo culla portatile su sedili dei veicoli con cinture addominali. (43)
- 2 - Questo modulo culla portatile è adatto solo per sedili dei veicoli dotati di cinture di sicurezza retrattili a 3 punti (senza base). (44)
- 3 - Posizionare il modulo culla portatile sul sedile del veicolo. Estrarre la cintura di sicurezza del veicolo e allacciarla nella fibbia, facendo scorrere la cintura addominale del veicolo nelle guide laterali del modulo culla portatile. (45)
 - ! Non è possibile utilizzare il modulo culla portatile se la fibbia della cintura di sicurezza (estremità femmina della fibbia) è troppo lunga per ancorare in modo sicuro il modulo culla portatile. (45)-1
- 4 - Far scorrere la cintura diagonale nella guida posteriore. (46)
- 5 - Tirare la cintura della spalla del veicolo per fissare il modulo culla portatile in modo stabile e sicuro. (47)
- 6 - Il livello di linea sul modulo culla portatile deve essere a terra quando viene installato il modulo culla portatile. (48)
 - ! Applicare la massima tensione alla cintura di sicurezza del veicolo, verificando che non si allenti o intrecci.
 - ! Dopo aver installato il modulo culla portatile, controllare sempre che le cinture del veicolo siano disposte correttamente e allacciate in modo sicuro nella fibbia del veicolo. (49)

Installazione su aereo

- ! Non si garantisce la sicurezza del bambino in caso di mancata osservanza del manuale d'uso e di installazione.
- ! L'installazione del modulo culla portatile sul sedile di un aereo varia rispetto all'installazione sul sedile per auto.
- ! L'attacco "cintura addominale" a 2 punti è consentito solo in aereo.
- ! Il modulo culla portatile deve rimanere allacciato sul sedile dell'aereo anche quando non è occupato.
- ! Il modulo culla portatile deve essere utilizzato solo su un sedile passeggeri autorizzato dalla compagnia aerea.
- ! Si avvisa di non utilizzare il modulo culla portatile nell'area di attivazione dell'airbag. **(2)**
- ! Il modulo culla portatile rivolto in senso contrario al senso di marcia deve essere installato solo su sedili passeggeri rivolti in senso di marcia. **(50)**

Come installare il modulo culla portatile utilizzando la cintura di sicurezza del sedile dell'aereo:

- 1 - Collocare il modulo culla portatile in senso opposto alla direzione di volo sul sedile passeggeri.
 - 2 - Assicurarsi che la maniglia di trasporto sia nella posizione superiore.
 - 3 - Collocare la cintura di sicurezza in entrambe le relative guide.
 - 4 - Chiudere la cintura di sicurezza (fare riferimento alle istruzioni di sicurezza della compagnia aerea).
 - 5 - Stringere la cintura di sicurezza tirandone l'estremità. **(51)**
- ! La fibbia della cintura di sicurezza non deve mai trovarsi nelle guide delle cinture verde scuro. **(52)**

Rimozione:

Aprire la cintura di sicurezza del sedile passeggeri (fare riferimento alle istruzioni di sicurezza della compagnia aerea).

Quindi, estrarre il modulo culla portatile dal sedile passeggeri.

Pulizia e manutenzione

Pulire il telaio, le parti in plastica e il tessuto con un panno umido, ma senza utilizzare prodotti abrasivi o candeggina. Non utilizzare lubrificanti al silicone, in quanto attraggono sporcizia e polvere.

Per assicurare una lunga durata, dopo averlo usato con la pioggia, strofinare il prodotto con un panno assorbente morbido.

Fare riferimento alle etichette sui rivestimenti imbottiti per le istruzioni di lavaggio e asciugatura.

È normale che i tessuti si scoloriscano per effetto della luce solare e che presentino tracce di usura dopo un lungo periodo d'uso, anche se utilizzati in modo normale.

Per ragioni di sicurezza, utilizzare soltanto ricambi originali Nuna.

Controllare periodicamente se tutto funziona correttamente. Se alcune parti sono danneggiate, rotte o mancanti, cessare di utilizzare questo prodotto.

¡IMPORTANTE!
GUARDE ESTAS
INSTRUCCIONES
PARA FUTURAS
CONSULTAS:
LEA DETENIDAMENTE

Índice

Información del producto	83
Registro del producto	
Garantía	
Contacto	
Requisitos de los niños para su uso	84
Para usar con base y sin base	85
Advertencia	86
Lista de piezas	89
Uso del producto	91
Limpieza y mantenimiento	96

Información del producto

Número de modelo: _____

Fecha de fabricación: _____

Registro del producto

Rellene la información anterior. El número de modelo y la fecha de fabricación se encuentran en la parte inferior de PIPA next y en base de PIPA next.

Para registrar su producto, visite:

www.nunababy.com

Haga clic en el enlace “Registrar Equipo” en la página de inicio.

Garantía

Hemos diseñado a propósito nuestros productos de alta calidad para que puedan crecer tanto con su hijo como con su familia. Como respaldamos nuestros productos, nuestros artículos están cubiertos por una garantía a medida para cada producto, a partir de la fecha en la que fue adquirido. Tenga preparada la prueba de compra, el número de modelo y la fecha de fabricación cuando se ponga en contacto con nosotros.

Para obtener información acerca de la garantía, visite:

www.nunababy.com

Haga clic en el enlace “Garantía” en la página de inicio.

Contacto

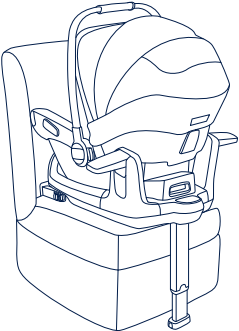
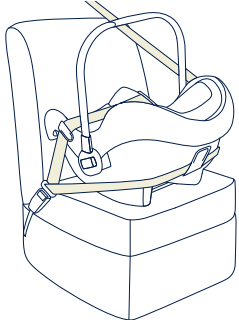
Para obtener información sobre piezas de repuesto y servicio técnico, o para resolver dudas acerca de la garantía adicional, póngase en contacto con nuestro departamento de atención al cliente.

info@nunababy.com

www.nunababy.com

Requisitos de los niños para su uso

Este producto es apto para su uso con niños que cumplan los siguientes requisitos:

Figura de la instalación	Apto para
	Altura del niño: 40-83 cm/ Peso del niño: ≤ 13 kg (aproximadamente 15 meses de edad o menos).
	Altura del niño: 40-83 cm/ Peso del niño: ≤ 13 kg Edad del niño ≤ 15 meses

Para usar con base y sin base

- 1- “i-Size” (sistemas de sujeción para niños mejorados integrales y universales ISOFIX) es una categoría de sistema de sujeción para niños mejorado principalmente diseñado para uso en todas las posiciones de sentado i-Size de un vehículo.
- 2- Según la Norma UN N.º 129, el dispositivo de sujeción para niños mejorado con base es un dispositivo de sujeción para niños mejorado ISOFIX universal y deberá colocarse con conectores ISOFIX.
- 3- Este es un sistema de sujeción para niños “i-Size” mejorado. Está aprobado conforme a la Norma UN N.º 129, para el uso en vehículos compatibles con posiciones de sentado i-Size, tal y como indican los fabricantes de vehículos en los manuales de usuario del vehículo.
- 4- Este es un sistema de sujeción para niños mejorado con cinturón universal. Está aprobado conforme a la Norma UN N.º 129, para el uso principal en “posiciones de asiento universales” como indican los fabricantes de vehículos en el manual del usuario del vehículo.
- 5- En caso de duda, consulte al fabricante o al distribuidor del dispositivo de sujeción para niños mejorado.
- 6- El dispositivo de sujeción para niños PIPA next es compatible con:
 - PIPA next base
 - ARRA base
 - BASE next

Consulte el manual de instrucciones de ARRA para obtener información sobre la instalación de la ARRA base.

Consulte el manual de instrucciones de BASE next para obtener información sobre la instalación de BASE next.

⚠ ADVERTENCIA

Si no sigue las advertencias e instrucciones que se exponen a continuación, podría provocar graves lesiones o, incluso, la muerte.

Las correas que fijan el módulo portabebés al vehículo deben estar apretadas, la pata de carga debe estar en contacto con el suelo del vehículo y las correas que sujetan al niño deben ajustarse al cuerpo de este. Las correas no deben estar retorcidas.

Una vez colocado el niño en el dispositivo de sujeción para niños mejorado, deberá utilizar correctamente el cinturón de seguridad.

Sujete correctamente el equipaje y cualquier otro objeto susceptible de provocar lesiones en caso de colisión.

Asegúrese de instalar el dispositivo de sujeción para niños mejorado de forma que ninguna de sus partes interfiera en el movimiento de los asientos o en la apertura de las puertas del vehículo.

Antes de transportar el módulo de sujeción para niños sujetándolo con la mano, asegúrese de que el niño esté sujeto con el arnés y el asa esté correctamente bloqueada en posición vertical.

Para cualquier cuestión de mantenimiento, reparación o sustitución de piezas, consulte a su distribuidor.

Para una correcta instalación, solo está permitido el uso de conectores ISOFIX.

Examine periódicamente las guías ISOFIX por si estuvieran sucias y límpielas si fuera necesario. La fiabilidad podría verse afectada si se acumula suciedad, polvo, partículas de comida, etc.

Antes de comprar este dispositivo de sujeción para niños mejorado, asegúrese de que se pueda instalar correctamente en su vehículo.

Mantenga el dispositivo de sujeción para niños mejorado sin una cubierta textil alejado de la luz directa del sol ya que, si no lo hace, podría alcanzar temperaturas demasiado altas para la piel de su hijo. Toque siempre el dispositivo de sujeción para niños mejorado antes de colocar al niño en él.

Para utilizar este dispositivo de sujeción para niños mejorado con las conexiones ISOFIX de acuerdo con la Norma UN nº 129, el niño deberá cumplir los siguientes requisitos:

Altura del niño: 40-83 cm/Peso del niño \leq 13 kg (15 meses aproximadamente o más pequeño).

Para utilizar este módulo de sujeción para niños con el cinturón de un vehículo, el niño deberá cumplir los siguientes requisitos:

Peso del niño: \leq 13 kg/Edad del niño: \leq 15 meses.

El acolchado del sistema de sujeción para niños mejorado no deberá sustituirse por uno que no esté recomendado por el fabricante, ya que el acolchado constituye una parte esencial del funcionamiento del dispositivo de sujeción.

Para evitar el riesgo de caídas, asegure siempre al niño con el arnés cuando el niño se encuentre dentro del módulo de sujeción para niños, incluso cuando el dispositivo de sujeción para niños mejorado no esté dentro del vehículo.

Para evitar lesiones graves o incluso la muerte, **NUNCA** coloque el módulo de sujeción para niños en asientos que tengan una superficie elevada con el niño dentro de él.

Las piezas de este sistema de sujeción para niños mejorado no necesitan ningún tipo de lubricación.

Retire este módulo de sujeción para niños y la base del asiento del vehículo cuando no lo use con regularidad.

Asegure **SIEMPRE** al niño en el dispositivo de sujeción para niños mejorado, incluso en trayectos cortos, ya que es en estos donde más accidentes se producen.

NUNCA deje a su hijo sin supervisión en este dispositivo de sujeción para niños mejorado.

NUNCA utilice un dispositivo de sujeción para niños mejorado de segunda mano ni un dispositivo de sujeción para niños mejorado que no sepa el uso que se le ha dado, ya que podría tener daños estructurales que comprometan la seguridad del niño.

NUNCA use cuerdas ni ningún otro sustitutivo para fijar el dispositivo de sujeción para niños mejorado al vehículo o para asegurar al niño al dispositivo de sujeción para niños mejorado.

NINGÚN dispositivo de sujeción para niños mejorado puede garantizar una protección total contra lesiones en caso de accidente. Sin embargo, un uso adecuado de este dispositivo de sujeción para niños mejorado reducirá el riesgo de lesiones graves o, incluso, de muerte del niño.

NO use los sistemas de sujeción para niños mejorados con orientación hacia atrás en asientos donde haya un airbag frontal activo instalado. Si lo hace, podrían producirse lesiones o, incluso, la muerte. Consulte el manual de usuario del vehículo para obtener más información.

NO coloque ningún objeto en la pata de carga delante de la base.

NO utilice ningún punto de contacto de soporte de carga distinto a los que se describen en las instrucciones y aparecen en el dispositivo de sujeción para niños mejorado.

NO siga utilizando este dispositivo de sujeción para niños mejorado si ha sufrido un accidente, incluso si no ha sido un accidente grave. Cámbielo por otro inmediatamente, ya que podría haber sufrido daños estructurales no visibles como resultado del accidente.

NO instale este dispositivo de sujeción para niños mejorado sin seguir las instrucciones que se indican en este manual ya que, si las incumple, podría poner a su hijo en peligro de sufrir lesiones o, incluso, de muerte.

NO modifique de ninguna manera este dispositivo de sujeción para niños mejorado ni lo utilice con piezas de otros fabricantes.

NO utilice este dispositivo de sujeción para niños mejorado sin el acolchado.

NO utilice este dispositivo de sujeción para niños mejorado si está dañado o si falta alguna de sus piezas.

NO coloque a su hijo con ropa suelta o de una talla mayor, ya que podría provocar que la sujeción del niño, mediante las correas de los arneses de los hombros y la correa de la pelvis entre las piernas, no sea firme y segura.

NO utilice este dispositivo de sujeción para niños mejorado u otros elementos sin el cinturón puesto o sin fijar a su vehículo, ya que un dispositivo de sujeción para niños mejorado que no esté fijado puede salir despedido y causar daños a los ocupantes en curvas pronunciadas, frenazos o colisiones.

Utilice **EXCLUSIVAMENTE** los cojines internos recomendados para este dispositivo de sujeción para niños mejorado.

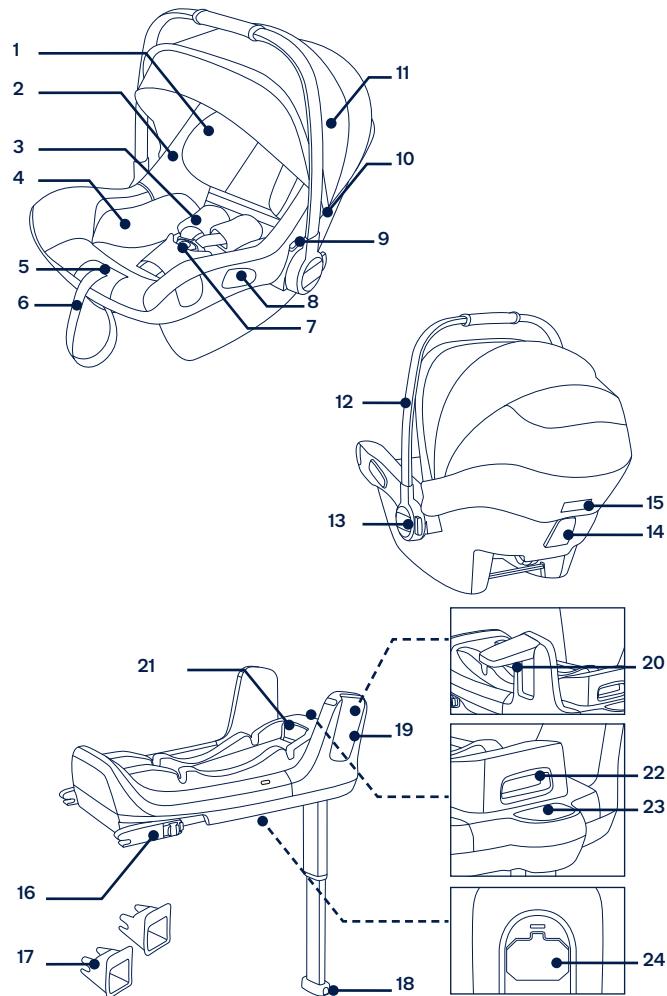
Las instrucciones deben conservarse en el sistema de sujeción para niños mejorado durante su período de vida útil.

También preste atención a las instrucciones y advertencias del manual del fabricante del vehículo.

Lista de piezas

Asegúrese de que están disponibles todas las piezas antes de montar el producto. El módulo del portabebés y la base pueden venderse por separado. Si falta algún elemento, póngase en contacto con el distribuidor local. No se necesita ninguna herramienta para el montaje.

- | | | | |
|----|-------------------------------------|----|---|
| 1 | Reposacabezas | 14 | Guía trasera |
| 2 | Acolchado del asiento | 15 | Botón de desbloqueo del cochecito B |
| 3 | Correas del arnés para los hombros | 16 | Conector ISOFIX |
| 4 | Accesorio para niños pequeños | 17 | Guías ISOFIX |
| 5 | Botón de ajuste del arnés | 18 | Botón de ajuste de la pata de carga |
| 6 | Cincha de ajuste | 19 | Protección contra impactos laterales |
| 7 | Hebilla de seguridad | 20 | Botón posterior de plegado de la protección |
| 8 | Guías laterales | 21 | Botón de ajuste ISOFIX |
| 9 | Botón de desbloqueo del cochecito A | 22 | Botón de desbloqueo del módulo del portabebés |
| 10 | Montaje de la capota | 23 | Indicador de la pata de carga |
| 11 | Capota | 24 | Compartimento de almacenamiento del manual de instrucciones |
| 12 | Asa | | |
| 13 | Botón del asa | | |



Uso del producto

Consideraciones acerca de la instalación

Este módulo de sujeción para niños está diseñado para asientos de vehículos con puntos de anclaje ISOFIX i-Size con la base. **(1)**

NO use los sistemas de sujeción para niños mejorados con orientación hacia atrás en asientos donde haya un airbag frontal activo instalado. Si lo hace, podrían producirse lesiones graves o, incluso, la muerte. **(2)** Consulte el manual de usuario del vehículo para obtener más información.

NO instale este dispositivo de sujeción para niños mejorado en asientos de vehículo cuya posición esté orientada hacia un lado o hacia atrás con respecto a la dirección de conducción del vehículo. **(3)**

Le recomendamos que instale este dispositivo de sujeción para niños mejorado en los asientos traseros. **(4)**

NO instale este dispositivo de sujeción para niños mejorado en asientos de vehículo móviles durante la instalación.

Ajuste del asa

- 1 - El asa del módulo de sujeción para niños se puede ajustar en 3 posiciones distintas. **(5)**
- 2 - Para ajustar la posición del asa, deslice los botones situados a ambos lados del asa para desbloquearla. **(6)-1**
- 3 - Gire el asa hasta que escuche el sonido de un clic en cualquiera de las 3 posiciones. **(6)-2**

Instalación con la base

- 1 - Extienda la pata de carga desde el compartimento de almacenamiento. **(7)**
- 2 - Coloque las guías ISOFIX con los puntos de anclaje ISOFIX. **(8)** Las guías ISOFIX pueden proteger la superficie del asiento del vehículo contra roturas. También sirven para guiar los conectores ISOFIX.
- 3 - Pulse el botón de desbloqueo ISOFIX para guardar los conectores ISOFIX. **(9)**
- 4 - Alinee los conectores ISOFIX con las guías ISOFIX y, a continuación, introduzca ambos conectores ISOFIX en los puntos de anclaje ISOFIX hasta que escuche un clic. **(10)**

! Asegúrese de que ambos conectores ISOFIX queden firmemente sujetos a sus puntos de anclaje ISOFIX. Deberá escuchar dos clics y los colores de los indicadores de ambos conectores ISOFIX deberán aparecer completamente en verde. **(10)-1**

! Para asegurarse de que la base está instalada de forma segura, tire de ambos conectores ISOFIX.

5 - Una vez colocada la base en el asiento del vehículo, extienda la pata de carga hasta el suelo **(11)**. Cuando el indicador de la pata de carga se muestre en verde significará que está instalado correctamente. En rojo significa que la instalación es incorrecta. **(11)-2**

! La pata de carga tiene 19 posiciones. Cuando el indicador de la pata de carga aparece en rojo, significa que la posición de la pata de carga no es correcta.

! Asegúrese de que la pata de carga esté totalmente en contacto con el suelo del vehículo.

! Para acortar la pata de carga, apriete el botón de desbloqueo de la pata de carga y tire de ella hacia arriba. **(11)-1**
La base montada completamente aparece en la figura **(12)**.

! Los conectores ISOFIX se deben fijar y bloquear en los puntos de anclaje ISOFIX. **(12)-1**

! La pata de carga debe estar correctamente instalada con el indicador en verde. **(12)-2**

6 - Para retirar la base, pulse primero el botón de desbloqueo secundario **(13)-1** y, a continuación, el botón **(13)-2** de los conectores de bloqueo antes de quitar la base del asiento del vehículo.

7 - Pulse el botón de ajuste ISOFIX para plegar el sistema ISOFIX.

8 - Empuje el módulo del portabebés hacia abajo dentro de la base **(14)**, si el dispositivo de sujeción para niños mejorado está sujeto, la protección contra impactos laterales se abrirá y el indicador de dicho dispositivo aparecerá en verde. **(15)** La protección contra impactos laterales, que está alejada de la puerta, puede cerrarse como se muestra en **(16)** cuando no se utiliza.

! Tire del módulo de sujeción para niños hacia arriba para asegurarse de que está firmemente sujeto a la base.

9 - Para soltar el módulo de sujeción para niños, tire del dispositivo de sujeción para niños mejorado hacia arriba presionando, al mismo tiempo, el botón de desbloqueo del módulo de sujeción para niños. **(17)**

Ajuste de la altura

de los arneses de los hombros y del reposacabezas

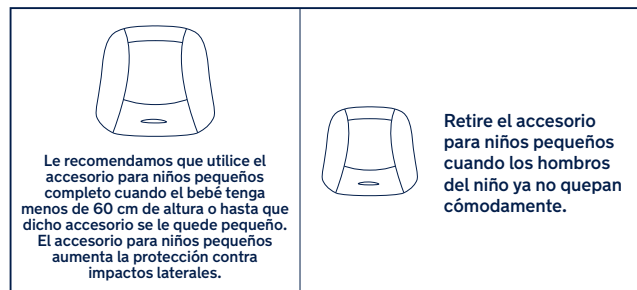
Compruebe que las correas de los arneses de los hombros estén colocadas a una altura adecuada. Elija las dos ranuras adecuadas para los arneses de los hombros según la altura del niño.

- ! Las correas de los arneses de los hombros deberán estar a una altura lo más cerca posible de los hombros de su hijo (18), pero sin sobrepasar la línea de los hombros. (19)
- ! Si las correas de los arneses de los hombros no están a la altura adecuada, el niño podría salir despedido del dispositivo de sujeción para niños mejorado en caso de accidente.

Tire de la palanca de ajuste del reposacabezas (20) al mismo tiempo que empuja hacia arriba o hacia abajo el reposacabezas hasta que quede fijado en una de las 7 posiciones. Las posiciones del reposacabezas se indican en (21).

Asegurar al niño

Uso del accesorio para niños pequeños



Después de colocar al niño en el asiento, compruebe si las correas de los arneses de los hombros están a una altura adecuada.

- 1 - Mientras presiona el botón de ajuste del arnés, tire totalmente de las dos correas de los hombros del dispositivo de sujeción para niños mejorado. (22)
- 2 - Desbloquee la hebilla de los arneses pulsando el botón rojo. (23)
- 3 - Coloque al niño en el módulo de sujeción para niños y bloquee la hebilla. (25) Consulte (24).

- 4 - Apriete las correas de los arneses de los hombros tirando de la cincha de ajuste. (26)

! Asegúrese de que el espacio entre el niño y las correas de los arneses de los hombros sea el del grosor de una mano más o menos.

Capota

- 1 - Abra la cremallera del arco de la capota frontal. (27)
- 2 - Extraiga el Dream Drape™ de la capota. (28)
- 3 - Enganche los imanes situados en cada esquina a la parte delantera del módulo portabebés con imanes. (29)
- 4 - La ventana de la capota se puede abrir para que haya ventilación. (30)

Desmontaje y montaje del acolchado

consulte las imágenes (31)-(42)

Para volver a instalar el acolchado, siga los pasos mencionados en sentido contrario.

Instalación sin la base

- 1 - **NO** instale este módulo de sujeción para niños en asientos de vehículos con cinturones de seguridad de cintura. (43)
- 2 - Este módulo portabebés está diseñado únicamente para asientos de vehículos con cinturones de seguridad retráctiles con 3 puntos de sujeción (sin la base). (44)
- 3 - Coloque el módulo de sujeción para niños en el asiento del vehículo en el que desee instalarlo. Saque el cinturón de seguridad del vehículo y bloquéelo en la hebilla del vehículo, deslizando el cinturón de la cintura por las guías laterales del módulo de sujeción para niños. (45)
 - ! El módulo de sujeción para niños no puede utilizarse si la hebilla del cinturón de seguridad del vehículo (extremo hembra de la hebilla) es demasiado larga para anclar con seguridad el módulo de sujeción para niños. (45)-1
- 4 - Deslice el cinturón diagonal por la guía trasera. (46)
- 5 - Tire del cinturón de los hombros del vehículo para sujetar el módulo de sujeción para niños firmemente para que quede bien sujeto. (47)
- 6 - La línea de nivel del módulo de sujeción para niños deberá estar nivelada con el suelo cuando esté instalado el módulo de sujeción para niños. (48)

- ! Tense el cinturón de seguridad del vehículo lo máximo posible asegurándose de que no quede suelto ni retorcido.
- ! Después de instalar el módulo de sujeción para niños, asegúrese siempre de que los cinturones del vehículo estén colocados correctamente y estén bien sujetos en la hebilla del vehículo. (49)

Instalación en aviones

- ! Tenga en cuenta que la seguridad del niño por no seguir el manual de instalación e instrucciones no está garantizada.
- ! Tenga en cuenta que la instalación del módulo portabebés en un asiento de avión es diferente a la instalación en un asiento para vehículo.
- ! Tenga en cuenta que el accesorio de "cinturón de la cintura" de 2 puntos solo se permite en aviones.
- ! Tenga en cuenta que el módulo portabebés debe permanecer con el cinturón abrochado en el asiento del avión incluso cuando esté desocupado.
- ! Tenga en cuenta que el módulo portabebés solo se puede usar en un asiento de pasajero autorizado por la aerolínea.
- ! Advertencias para no utilizar el módulo portabebés en la área de despliegue del airbag. (2)
- ! Tenga en cuenta que el módulo portabebés orientado hacia atrás solo debe instalarse en los asientos de pasajero orientados hacia adelante. (50)

Cómo instalar el módulo del portabebés utilizando el cinturón de seguridad del asiento del avión:

- 1 - Coloque el módulo del portabebés opuesto a la dirección de vuelo en el asiento del pasajero.
- 2 - Asegúrese de que el asa de transporte esté en la posición más alta.
- 3 - Coloque el cinturón de seguridad en ambas guías del cinturón de seguridad.

4 - Cierre el cinturón de seguridad (consulte las instrucciones de seguridad de la línea aérea).

5 - Apriete el cinturón de seguridad tirando del extremo del cinturón. (51)

- ! Bajo ninguna circunstancia, la hebilla del cinturón de seguridad debe estar dentro de las guías de color verde oscuro del cinturón. (52)

Extracción:

Abra el cinturón de seguridad del asiento del pasajero (consulte las instrucciones de seguridad de la línea aérea).

Ahora puede tomar el módulo portabebés del asiento del pasajero.

Limpieza y mantenimiento

Limpie la estructura, las piezas de plástico y el tejido con un paño húmedo, pero no utilice productos abrasivos ni lejía. No utilice lubricantes con silicona ya que atraerán la suciedad.

Para garantizar un uso duradero, limpie este producto con un paño suave y absorbente después de usarlo en un día lluvioso.

Consulte las etiquetas de cuidados cosidas al acolchado para conocer las instrucciones de lavado y secado.

Es normal que la tela se decolore debido a la luz del sol, y se desgaste y se rompa después de un largo periodo de uso, incluso si se utiliza de una forma normal.

Por razones de seguridad, utilice únicamente piezas originales de Nuna.

Compruebe periódicamente que todo funciona correctamente. Si falta alguna pieza o si alguna de ellas está rota o desgastada, deje de utilizar este producto.

PT

IMPORTANTE!
GUARDE ESTAS
INSTRUÇÕES PARA
REFERÊNCIA FUTURA:
LER ATENTAMENTE

Índice

Informações sobre o produto	99
Registo do produto	
Garantia	
Contactos	
Requisitos de utilização	100
Para utilização com e sem base	101
Aviso	102
Lista de componentes	105
Utilização do produto	107
Limpeza e manutenção	112

PT

Informações sobre o produto

Número de modelo: _____

Data de fabrico: _____

Registo do produto

Preencha as informações acima. O número do modelo e a data de fabrico estão localizados na parte inferior do PIPA next e base do PIPA next.

Para registar o seu produto, visite:

www.nunababy.com

Clique no link “Registar equipamento” na página inicial.

Garantia

Concebemos propositadamente os nossos produtos de alta qualidade para que possam acompanhar o crescimento do seu filho e da sua família. Porque confiamos nos nossos produtos, os nossos equipamentos estão cobertos por uma garantia personalizada por produto, a partir do dia da respetiva compra. Quando nos contactar, tenha disponíveis o comprovativo de compra, o número do modelo e a data de fabrico.

Para obter informações sobre a garantia, visite:

www.nunababy.com

Clique no link “Garantia” na página inicial.

Contactos

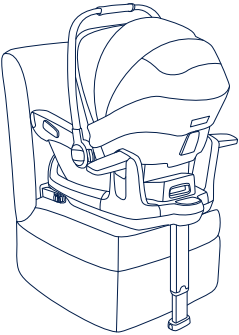
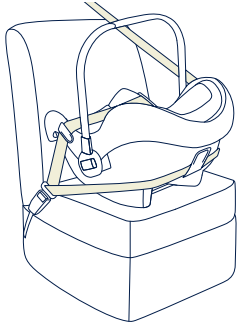
Para peças de substituição, assistência técnica ou outras questões sobre a garantia, contacte o nosso departamento do apoio ao cliente.

info@nunababy.com

www.nunababy.com

Requisitos de utilização

Este produto é adequado para crianças que cumpram os seguintes requisitos:

Figura para instalação	Adequado para
	Altura da criança 40 cm-83 cm/Peso da criança ≤ 13 kg; (idade aproximadamente igual ou inferior a 15 meses)
	Altura da criança 40 cm-83 cm/Peso da criança ≤ 13 kg Idade da criança ≤ 15 meses

Para utilização com e sem base

- 1- “i-Size” (sistemas ISOFIX integrais avançados de retenção para crianças de categoria universal) é uma categoria de sistemas avançados de retenção para crianças concebido primeiramente para utilização em todos os assentos i-Size de um veículo.
 - 2- De acordo com o Regulamento N.º. 129 da ONU, o dispositivo avançado de retenção com base para crianças é um sistema ISOFIX avançado de retenção para crianças de categoria universal e deve ser instalado com os conectores ISOFIX.
 - 3- Este é um sistema avançado de retenção para crianças “i-Size”. Está aprovado ao abrigo do Regulamento N.º. 129 da ONU, para utilização em veículos com lugares sentados compatíveis com “i-Size”, como indicado pelo fabricante do veículo no manual do proprietário.
 - 4- Este é um sistema avançado universal de retenção para crianças. Está aprovado ao abrigo do Regulamento N.º. 129 da ONU para utilização em veículos com “lugares sentados universais”, como indicado no manual do utilizador do fabricante do veículo.
 - 5- Em caso de dúvida, consulte o fabricante ou o revendedor do sistema avançado de retenção para crianças.
 - 6- O sistema de retenção para crianças PIPA next é compatível com:
 - PIPA next base
 - ARRA base
 - BASE next
- Consulte o manual de instruções da cadeira ARRA para a instalação da ARRA base.
- Consulte o manual de instruções da BASE next para a instalação da BASE next.

AVISO

O incumprimento dos avisos e instruções pode resultar em lesões graves ou morte.

Todas as correias que seguram o transportador ao veículo devem estar apertadas, a perna de apoio deve estar em contacto com o piso do veículo, a perna de carga deve estar em contacto com o piso do veículo e as correias que restringem a criança devem ser ajustadas ao corpo da criança. As correias não devem estar torcidas.

Após a colocação da criança no dispositivo avançado de retenção, deverá utilizar corretamente o cinto.

Todas as bagagens ou outros objetos que possam causar ferimentos em caso de colisão, devem estar corretamente fixos.

Certifique-se de que o dispositivo avançado de retenção para crianças está instalado de forma a que nenhuma das suas peças interfira com o movimento dos bancos ou com a abertura das portas do veículo.

Antes de transportar o transportador à mão, certifique-se de que a criança está segura com o cinto de segurança e a pega está corretamente bloqueada na posição vertical.

Para questões relacionadas com a manutenção, reparação e substituição de peças, consulte o distribuidor.

A instalação correta é permitida apenas através da utilização dos conectores ISOFIX.

Verifique frequentemente se existe sujidade nas guias ISOFIX e limpe-as, se necessário. A acumulação de sujidade, pó, partículas de alimentos, etc., poderá afetar a fiabilidade do dispositivo.

Antes de adquirir este dispositivo avançado de retenção para crianças, certifique-se de que o mesmo pode ser instalado corretamente no seu veículo.

Mantenha este dispositivo avançado de retenção para crianças sem capa de tecido afastado de luz solar direta, já que este poderá atingir temperaturas demasiado elevadas para a pele da criança. Toque sempre no dispositivo avançado de retenção para crianças antes de colocar a criança.

Para utilizar este dispositivo avançado de retenção para crianças com conectores ISOFIX, de acordo com a Regulamentação Nº. 129 da ONU, a criança deve cumprir os seguintes requisitos.

Altura da criança 40 cm-83 cm/Peso da criança \leq 13 kg (idade aproximadamente igual ou inferior a 15 meses).

Para utilizar este transportador com o cinto de segurança do veículo, a criança deve cumprir os seguintes requisitos.

Peso da criança \leq 13 kg/Idade da criança \leq 15 meses.

A capa de tecido do sistema de retenção para crianças não deve ser substituída por qualquer outra que não seja recomendada pelo fabricante, pois é parte integrante do sistema de retenção.

Para evitar o risco de quedas, prenda sempre a criança com o cinto de segurança quando esta se encontra no transportador, mesmo quando o dispositivo avançado de retenção para crianças não se encontra dentro do veículo.

Para evitar lesões graves ou a morte, **NUNCA** coloque o transportador em bancos que tenham uma superfície elevada enquanto a criança está no dispositivo.

As peças deste dispositivo avançado de retenção para crianças não necessitam de qualquer tipo de lubrificação.

Remova o transportador e a base do banco do veículo quando o mesmo não estiver a ser utilizado regularmente.

Segure **SEMPRE** a criança no dispositivo avançado de retenção para crianças, mesmo em trajetos curtos, já que a maioria dos acidentes ocorre neste tipo de trajetos.

NUNCA deixe a criança sem supervisão neste dispositivo avançado de retenção para crianças.

NUNCA utilize um dispositivo avançado de retenção em segunda mão ou cujo histórico desconheça, pois poderão existir danos estruturais que colocam em risco a segurança da criança.

NUNCA utilize cordas ou outros substitutos para segurar o dispositivo avançado de retenção para crianças no veículo ou para segurar a criança no dispositivo de retenção.

NENHUM dispositivo avançado de retenção para crianças pode garantir uma proteção total contra lesões num acidente. Contudo, a utilização apropriada deste dispositivo avançado de retenção para crianças reduzirá o risco de lesões graves ou morte da criança.

NÃO utilize sistemas de retenção para crianças virados para a retaguarda em lugares sentados onde esteja instalado um airbag frontal ativo. Poderão ocorrer lesões graves ou mesmo a morte. Consulte o manual do veículo para obter mais informações.

NÃO coloque quaisquer objetos na área da perna de carga à frente da base.

NÃO utilize quaisquer pontos de contacto de suporte de carga diferentes dos descritos nas instruções e marcados no dispositivo avançado de retenção para crianças.

NÃO continue a utilizar este dispositivo avançado de retenção para crianças depois de o mesmo ter sofrido qualquer tipo de colisão, mesmo que tenha sido ligeira. Substitua imediatamente o dispositivo, pois a colisão poderá provocar danos estruturais invisíveis.

NÃO instale este dispositivo avançado de retenção para crianças sem seguir as instruções deste manual, pois poderá sujeitar a criança a riscos de lesão ou morte.

NÃO efetue modificações neste dispositivo avançado de retenção para crianças nem o utilize em conjunto com peças de outros fabricantes.

NÃO utilize este sistema avançado de retenção para crianças sem a capa de tecido acolchoado.

NÃO utilize este dispositivo avançado de retenção para crianças se o mesmo estiver danificado ou existirem peças em falta.

NÃO coloque a criança com roupa larga/grande, pois poderá impedir que as alças e a correia das virilhas apertem firmemente a criança.

NÃO utilize este dispositivo avançado de retenção para crianças ou outros elementos sem o cinto colocado ou sem o fixar ao seu veículo, já que um dispositivo de retenção para crianças que não esteja fixado pode soltar-se e causar lesões nos ocupantes em curvas apertadas, travagens súbitas ou colisões.

NÃO coloque outros materiais além dos acolchoamentos internos recomendados neste dispositivo avançado de retenção para crianças.

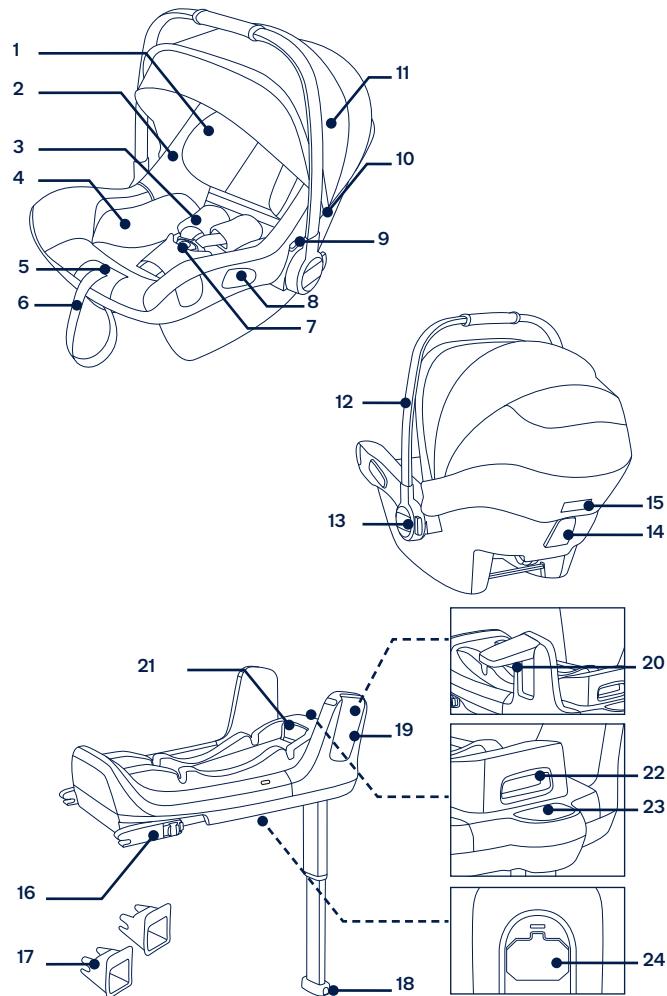
As instruções devem ser guardadas no dispositivo avançado de retenção para crianças durante toda a sua vida útil.

Tenha também em atenção as instruções e avisos do manual do fabricante do veículo.

Lista de componentes

Certifique-se de que todas as peças estão disponíveis antes da montagem. O módulo do transportador e a base podem ser adquiridos separadamente. Se algum componente estiver em falta, contact o revendedor local. Não são necessárias ferramentas para a montagem.

- | | |
|--|---|
| 1 Apoio de cabeça | 15 Botão de desbloqueio do carrinho de bebê B |
| 2 Capa de tecido acolchoado | 16 Conector ISOFIX |
| 3 Alças | 17 Guias ISOFIX |
| 4 Redutor para bebê | 18 Botão de ajuste da perna de apoio |
| 5 Botão de ajuste das alças | 19 Proteção contra impactos laterais |
| 6 Correia de ajuste | 20 Botão para dobrar a proteção |
| 7 Fivela de segurança | 21 Botão de ajuste ISOFIX |
| 8 Guias laterais | 22 Botão de desbloqueio do módulo transportador |
| 9 Botão de desbloqueio do carrinho de bebê A | 23 Indicador da perna de apoio |
| 10 Encaixe da cobertura | 24 Compartimento de armazenamento do manual de instruções |
| 11 Cobertura | |
| 12 Pega | |
| 13 Botão da pega | |
| 14 Guia traseiro | |



Utilização do produto

Cuidados na instalação

Este transportador é adequado para bancos de veículos com pontos de fixação ISOFIX i-Size com a base. (1)

NÃO utilize sistemas de retenção para crianças virados para a retaguarda em lugares sentados onde esteja instalado um airbag frontal ativo. Poderão ocorrer lesões graves ou mesmo a morte. (2) Consulte o manual do veículo para obter mais informações.

NÃO instale este dispositivo avançado de retenção para crianças em bancos de veículo virados para o lado ou para a retaguarda em relação à direção de deslocamento do veículo. (3)

Recomendamos que instale este dispositivo avançado de retenção para crianças no banco traseiro do veículo. (4)

NÃO instale este dispositivo avançado de retenção para crianças no banco de um veículo em movimento.

Ajuste da pega

- 1 - A pega do transportador pode ser ajustada para 3 posições. (5)
- 2 - Para ajustar a pega, aperte os botões de ajuste da pega em ambos os lados para a desbloquear. (6)-1
- 3 - Rode a pega até que esta encaixe numa das 3 posições. (6)-2

Instalação com base

- 1 - Desdobre a perna de carga a partir do compartimento de armazenamento. (7)
- 2 - Encaixe os guias ISOFIX nos pontos de fixação ISOFIX. (8) Os guias ISOFIX podem proteger a superfície do banco do veículo contra roturas. Também servem para guiar os conectores ISOFIX.
- 3 - Pressione o botão de ajuste ISOFIX para ajustar os conectores ISOFIX. (9)
- 4 - Alinhe os conectores ISOFIX com os guias ISOFIX e, em seguida, encaixe ambos os conectores ISOFIX nos pontos de fixação ISOFIX. (10)

! Certifique-se de que ambos os conectores ISOFIX estão corretamente encaixados nos pontos de fixação ISOFIX. Deverá ouvir dois cliques e a cor dos indicadores de ambos os conectores ISOFIX deverá ser completamente verde. (10)-1

! Certifique-se de que a base está firmemente instalada puxando por ambos os conectores ISOFIX.

5 - Depois de colocar a base no banco do veículo, estique a perna de carga até ao piso do veículo (11). Se o indicador da perna de carga apresentar a cor verde, significa que a instalação está correta e a cor vermelha significa que a instalação está incorreta. (11)-2

! A perna de carga tem 19 posições. Se o indicador da perna de carga apresentar a cor vermelha, significa que a perna de carga está numa posição incorreta.

! Certifique-se de que a perna de carga está em contacto com o piso do veículo.

! Para encurtar a perna de carga, aperte o botão de desbloqueio da perna de carga e puxe a perna para cima. (11)-1
A ilustração (12) apresenta a base totalmente montada.

! Os conectores ISOFIX devem estar encaixados e bloqueados nos pontos de fixação ISOFIX. (12)-1

! A perna de carga deve estar corretamente instalada com o indicador em cor verde. (12)-2

6 - Para remover a base, pressione primeiro o botão de bloqueio secundário (13)-1 e, em seguida, o botão (13)-2 nos conectores do trinco antes de remover a base do banco do veículo.

7 - Pressione o botão de ajuste ISOFIX para dobrar o conector ISOFIX.

8 - Pressione o transportador na base (14), se o dispositivo avançado de retenção estiver corretamente encaixado, as proteções contra impactos laterais irão abrir e o indicador do dispositivo avançado de retenção apresentará a cor verde. (15) A proteção contra impactos laterais que está longe da porta pode ser fechada, como ilustrado em (16) quando não estiver a ser utilizado.

! Puxe pelo transportador para se certificar de que o mesmo se encontra corretamente encaixado na base.

9 - Para desbloquear o transportador, levante o dispositivo avançado de retenção enquanto aperta o botão de desbloqueio do transportador. (17)

Ajuste da altura

para o apoio de cabeça e alças

Certifique-se de que as alças se encontram à altura apropriada. Escolha as ranhuras adequadas para as alças de acordo com a altura da criança.

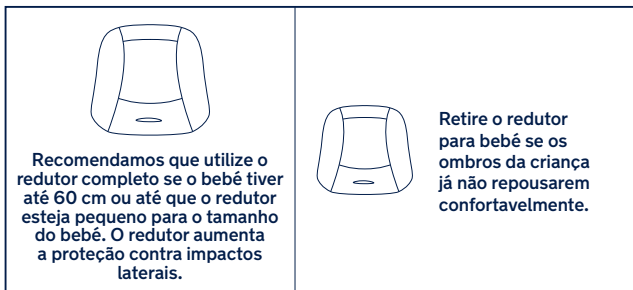
! As alças devem estar próximas dos ombros da criança (18), mas não acima da linha dos ombros. (19)

! Se as alças não estiverem à altura apropriada, a criança poderá ser ejetada do dispositivo avançado de retenção em caso de colisão.

Puxe pela alavanca de ajuste do apoio de cabeça (20), e ajuste o apoio de cabeça para cima ou para baixo até que este encaixe numa das 7 posições. As posições do apoio de cabeça são apresentados na ilustração (21).

Colocar e prender a criança

Utilizar o redutor para bebé



Após a colocação da criança, verifique se as alças se encontram à altura apropriada.

- 1 - Enquanto pressiona o botão de ajuste das correias, puxe completamente as alças do dispositivo avançado de retenção para crianças. (22)
 - 2 - Abra a fivela das alças pressionando o botão vermelho. (23)
 - 3 - Coloque a criança no transportador e aperte o cinto de segurança. (25) Consulte a ilustração (24).
 - 4 - Aperte as alças puxando a correia de ajuste. (26)
- ! Certifique-se de que o espaço entre a criança e as alças é aproximadamente da espessura de uma mão.

Cobertura

- 1 - Abra o fecho do arco frontal da cobertura. (27)
- 2 - Retire o dream drape™ da cobertura. (28)
- 3 - Encaixe os ímanes de cada canto na parte frontal do transportador com os ímanes. (29)
- 4 - A janela da cobertura pode ser aberta para ventilar. (30)

Retirar e montar a capa de tecido

ver imagens (31)-(42)

Para voltar a colocar a capa de tecido acolchoado, inverta os passos mencionados.

Instalação sem base

- 1 - **NÃO** instale o transportador num veículo que possua correias subabdominais. (43)
- 2 - Este transportador é apropriado apenas para bancos de veículo com cintos de segurança retráteis de 3 pontos (sem base). (44)
- 3 - Coloque o transportador no banco pretendido do veículo. Puxe o cinto de segurança e bloqueie-o na fivela, passando o cinto subabdominal pelos guias do transportador. (45)
! O transportador não pode ser utilizado se a fivela do cinto de segurança (conector fêmea da fivela) for demasiado longa para fixar o transportador em segurança. (45)-1
- 4 - Passe o cinto diagonal pelo guia traseiro. (46)
- 5 - Puxe pelo cinto de segurança do veículo para apertar o transportador firmemente. (47)
- 6 - A linha de nível do transportador deve estar nivelada com o piso do veículo quando o transportador estiver instalado. (48)
! Estique o máximo possível o cinto de segurança para se certificar de que o mesmo não está solto nem torcido.
! Após a instalação do transportador, verifique sempre se o cinto de segurança do veículo está corretamente colocado e bem apertado na fivela. (49)

Instalação num avião

- ! Tenha em atenção que não é possível garantir a segurança da criança se as instruções de instalação indicadas no manual não forem cumpridas.
- ! Tenha em atenção que a instalação do transportador num assento de avião é diferente da instalação num assento de automóvel.
- ! Tenha em atenção que apenas é permitida a de “cintos de segurança subabdominais” de 2 pontos de fixação num avião.
- ! Tenha em atenção que o transportador deve permanecer preso no assento do avião, mesmo que esteja desocupado.
- ! Tenha em atenção que o transportador destina-se a ser utilizado apenas num assento autorizado pela companhia aérea.
- ! Avisos para não utilizar o transportador na área de enchimento do airbag. (2)
- ! Tenha em atenção que um transportador virado para a retaguarda deverá ser instalado apenas em assentos virados para a frente. (50)

Como instalar o transportador utilizando o cinto de segurança do assento do avião:

- 1 - Coloque o transportador virado para o lado oposto à direção de voo no assento.
 - 2 - Certifique-se de que a pega de transporte se encontra na posição mais elevada.
 - 3 - Coloque o cinto de segurança em ambos os guias do cinto.
 - 4 - Feche o cinto de segurança (consulte as instruções de segurança da companhia aérea).
 - 5 - Aperte o cinto de segurança puxando pela sua extremidade. (51)
- ! Em nenhuma circunstância a fivela do cinto deverá ficar entre os guias do cinto de cor verde-escuro. (52)

Remoção:

Abra o cinto de segurança (consulte as instruções de segurança da companhia aérea).

Em seguida, poderá retirar o transportador do assento do passageiro.

Limpeza e manutenção

Limpe a estrutura, peças de plástico e o tecido com um pano humedecido sem utilizar produtos abrasivos ou lixívia. Não utilize lubrificantes de silicone, pois os mesmos atraem sujidade e gordura.

Para garantir uma utilização duradoura, limpe este produto com um pano macio e absorvente após a utilização em tempo chuvoso.

Consulte as instruções de lavagem e secagem nas etiquetas afixadas na capa de tecido.

É normal que o tecido exiba cores desvanecidas devido à luz solar e que apresente desgaste após um longo período de utilização, mesmo quando utilizado de forma normal.

Por motivos de segurança, utilize apenas peças originais da Nuna.

Verifique regularmente se tudo funciona corretamente. Se alguma peça estiver rasgada, partida ou em falta, interrompa a utilização deste produto.

WAŻNE!
PRZED UŻYCIEM
PRODUKTU PROSIMY
ZAPOZNAĆ SIĘ
Z ZAWIERAJĄCĄ
WAŻNE INFORMACJE
INSTRUKCJĄ I
ZACHOWAĆ JĄ NA
PRZYSZŁY UŻYTEK.
PRZECZYTAJ
UWAŻNIE

Spis treści

Informacje o produkcie	115
Rejestracja produktu	
Gwarancja	
Kontakt	
Przeznaczenie	116
Używanie z bazą i bez bazy	117
Ostrzeżenie	118
Lista części	121
Korzystanie z produktu	123
Czyszczenie i konserwacja	128

Informacje o produkcie

Numer modelu: _____

Data produkcji: _____

Rejestracja produktu

Proszę wpisać informacje powyżej. Numer modelu i data produkcji znajdują się na etykiecie na spodzie PIPA next i na bazy PIPA next.

Aby zarejestrować produkt odwiedź stronę:

www.nunababy.com

Kliknij łącze „Zarejestruj produkt” na stronie domowej.

Gwarancja

Nasze wysokiej jakości produkty zaprojektowaliśmy tak, aby mogły rosnąć razem z Twoim dzieckiem jak również z całą rodziną. Ponieważ jesteśmy przekonani o jakości naszych produktów, nasz produkt objęty jest 2 letnią gwarancją konsumencką już od dnia jego zakupu. Zachowaj dowód zakupu, numer modelu oraz datę produkcji podczas kontaktu w sprawie gwarancji.

W celu uzyskania informacji o gwarancji, należy odwiedzić stronę internetową:

www.nunababy.com

Kliknij łącze „Gwarancja” na stronie domowej.

Kontakt

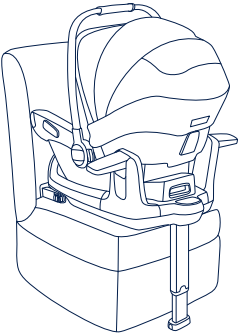
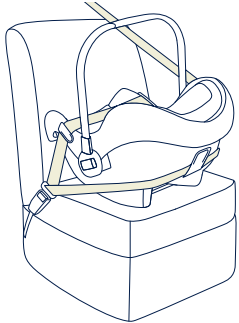
W celu uzyskania informacji na temat części zamiennych, serwisu lub jakichkolwiek dodatkowych pytań skontaktujcie się z naszym działem obsługi klienta.

info@nunababy.com

www.nunababy.com

Przeznaczenie

Produkt przeznaczony jest dla dzieci, które spełniają poniższe wymagania:

Instalacja	Tryb instalacji
	Wzrost dziecka 40cm-83cm/ Waga dziecka ≤ 13kg (około 15 miesięcy lub młodsze)
	Wzrost dziecka 40cm-83cm/ Waga dziecka ≤ 13kg Wiek dziecka < 15 miesięcy

Używanie z bazą i bez bazy

- 1- „i-Size” (Ulepszony Zintegrowany Uniwersalny System ISOFIX Zabezpieczenia Dziecka w aucie) to ulepszanego systemu zabezpieczenia dziecka (zwany również fotelikiem samochodowym) zaprojektowana przede wszystkim do stosowania we wszystkich pozycjach foteli i-Size pojazdu.
- 2- Zgodnie z przepisami UN nr 129, ulepszone Zabezpieczenie Dziecka (zwane również fotelikiem samochodowym) z bazą jest Uniwersalnym ISOFIX ISO/R2 Ulepszonym Zabezpieczeniem Dziecka i powinien być montowany przy użyciu złączy ISOFIX.
- 3- Ten fotelik jest zgodny z Ulepszonym Systemem Zabezpieczenia Dziecka i-Size. Został on zatwierdzony przez regulację ECE R129/02 do użytkowania w pojazdach kompatybilnych z systemem i-Size co potwierdza zapis w oficjalnej instrukcji pojazdu.
- 4- To jest Uniwersalny zapinany na Pas Ulepszony System Zabezpieczenia Dziecka w aucie. Zatwierdzony zgodnie z Regulacją unijną nr 129 do użytkowania na „Uniwersalnych miejscach siedzących” wskazanych przez producentów pojazdów w podręczniku użytkownika pojazdu.
- 5- Jeśli masz jakiegokolwiek wątpliwości to skonsultuj się z producentem fotelika lub z lokalnym dostawcą.
- 6- Fotelik samochodowy dla dzieci PIPA next jest kompatybilny z:
PIPA next base
ARRA base
BASE next

Informacje dotyczące instalacji ARRA base należy sprawdzić w instrukcji ARRA.

Informacje dotyczące instalacji BASE next należy sprawdzić w instrukcji BASE next.

⚠ OSTRZEŻENIE

Niestosowanie się do tych ostrzeżeń i instrukcji, może spowodować poważne obrażenia lub śmierć.

Przy każdym użyciu pasy samochodowe przytrzymujące fotelik muszą być mocno naciągnięte, noga stabilizująca musi stykać się z podłogą samochodu. Pasy w foteliku powinny być naciągnięte i dopasowane do dziecka jak również nieposkręcane.

Po umieszczeniu dziecka w foteliku, pasy bezpieczeństwa muszą zostać zapięte we właściwy sposób.

Wszelki bagaż lub inne przedmioty, które mogą spowodować obrażenia ciała w razie kolizji powinny być prawidłowo zabezpieczone.

Upewnij się, że fotelik zainstalowany jest w taki sposób, że żaden z jego elementów nie zaburza pracy ruchomych elementów w samochodzie lub nie blokuje otwierania drzwi.

Przed ręcznym przenoszeniem fotelika, upewnij się, że dziecko zapięte jest pasami wewnętrznymi fotelika oraz, że rączka jest zablokowana w pozycji pionowej.

Skonsultuj się z dystrybutorem w sprawie użytkowania fotelika, napraw czy wymiany części.

Do prawidłowego montażu konieczne jest użycie złączy ISOFIX.

Często sprawdzaj zaczepy ISOFIX tak, aby upewnić się, że nie ma w nich brudu. Wyczyść je, jeśli jest taka konieczność. Wytrzymałość oraz skuteczność mogą być zmniejszone ze względu na brud, kurz, resztki jedzenia itp.

Przed zakupem podwyższonego fotelika samochodowego dla dziecka należy upewnić się, czy może zostać on prawidłowo zamontowany w pojeździe.

Zabezpiecz fotelik przed działaniem promieni słonecznych, ponieważ po nagraniu może być zbyt gorący w kontakcie ze skórą dziecka. Zawsze sprawdzaj temperaturę tapicerki (szczególnie w upalne dni) przed usadzeniem dziecka w foteliku.

Aby używać bazy z mocowaniem ISOFIX zgodnie z regulacją ECE R129/00, dziecko musi spełnić następujące wymagania:

Wzrost dziecka 40 - 83 cm / waga dziecka ≤ 13kg (około 15 miesięcy lub młodsze)

Aby używać fotelika z mocowaniem na pas samochodowy, dziecko musi spełnić następujące wymagania:

Wzrost dziecka 40 cm - 83 cm / Waga dziecka ≤ 13 kg/Wiek dziecka < 15 miesięcy.

Miękkie elementy nie powinny zostać wymieniane na żadne inne niż te, które zostały zarekomendowane przez producenta fotelika. Miękkie komponenty są integralną częścią wpływającą na działanie systemu przytrzymywania dziecka w foteliku.

Aby uniknąć ryzyka wypadnięcia dziecka z fotelika, zawsze zabezpiecz dziecko pasami wewnętrznymi (uprzężą), gdy dziecko znajduje się w foteliku, nawet jeśli fotelik nie znajduje się w samochodzie.

Aby uniknąć poważnego uszczerbku na zdrowiu lub śmierci, **NIGDY** nie stawiaj fotelika z dzieckiem na podwyższeniu.

NIGDY nie smarujemy ani nie oliwimy elementów fotelika.

Wyjmij fotelik oraz bazę z samochodu, jeśli nie używasz ich regularnie.

ZAWSZE przewoź swoje dziecko w foteliku, nawet na krótkich trasach ponieważ to właśnie na nich dochodzi do największej liczby wypadków.

NIGDY nie zostawiaj bez opieki dziecka znajdującego się w foteliku.

NIGDY nie korzystaj z fotelika używanego lub takiego, którego historii nie znasz ponieważ mogą one posiadać zniszczoną strukturę, która w znaczny sposób zagrozić może bezpieczeństwu Twojego dziecka.

NIGDY nie używaj lin czy sznurków w celu mocowania fotelika w samochodzie lub usadzenia dziecka w foteliku.

ŻADEN fotelik nie jest w stanie zapewnić całkowitej ochrony przed obrażeniami w trakcie wypadku. Jednak prawidłowe użycie tego fotelika w znaczny sposób ograniczy ryzyko poważnego uszczerbku na zdrowiu lub śmierci dziecka.

Pod żadnym pozorem nie montuj fotelika tyłem do kierunku jazdy na przednim siedzeniu z aktywną poduszką powietrzną.

Może to być przyczyną śmierci lub poważnego uszczerbku na zdrowiu dziecka. Aby pozyskać więcej informacji, zapoznaj się z instrukcją obsługi swojego samochodu.

NIE umieszczaj żadnych przedmiotów w przestrzeni na nogi w miejscu, gdzie znajduje się noga stabilizująca fotelik twojego dziecka.

NIE używaj innych punktów zapięcia niż te opisane w instrukcji i zaznaczone na foteliku.

NIGDY nie korzystaj z fotelika używanego lub takiego, którego historii nie znasz ponieważ mogą one posiadać zniszczoną strukturę, która w znaczny sposób zagrozić może bezpieczeństwu Twojego dziecka.

NIE instaluj fotelika bez uprzedniego zapoznania się z instrukcją obsługi i postępowania zgodnie z informacjami w niej zawartymi, gdyż możesz narazić swoje dziecko na poważny uszczerbek na zdrowiu lub nawet śmierć.

NIE dokonuj w tym foteliku żadnych modyfikacji, jak również nie używaj go z częściami od innych producentów.

NIE używaj tego fotelika bez miękkich elementów.

NIE używaj tego fotelika jeśli jest uszkodzony lub brakuje jakiejś części.

NIE wkładaj swojego dziecka do fotelika w zbyt dużych, niedopasowanych ubraniach ponieważ może sprawić to, że nie będzie ono poprawnie zapięte pasami w kroczu lub naramiennymi.

NIE zostawiaj fotelika niezapiętego lub niezabezpieczonego w swoim samochodzie ponieważ może stanowić zagrożenie dla innych pasażerów w razie gwałtownych skrętów, hamowania czy kolizji.

NIE używaj niczego innego niż zastosowane wewnętrzne wypełnienia i rekomendowaną wkładkę dla niemowlaka w tym foteliku.

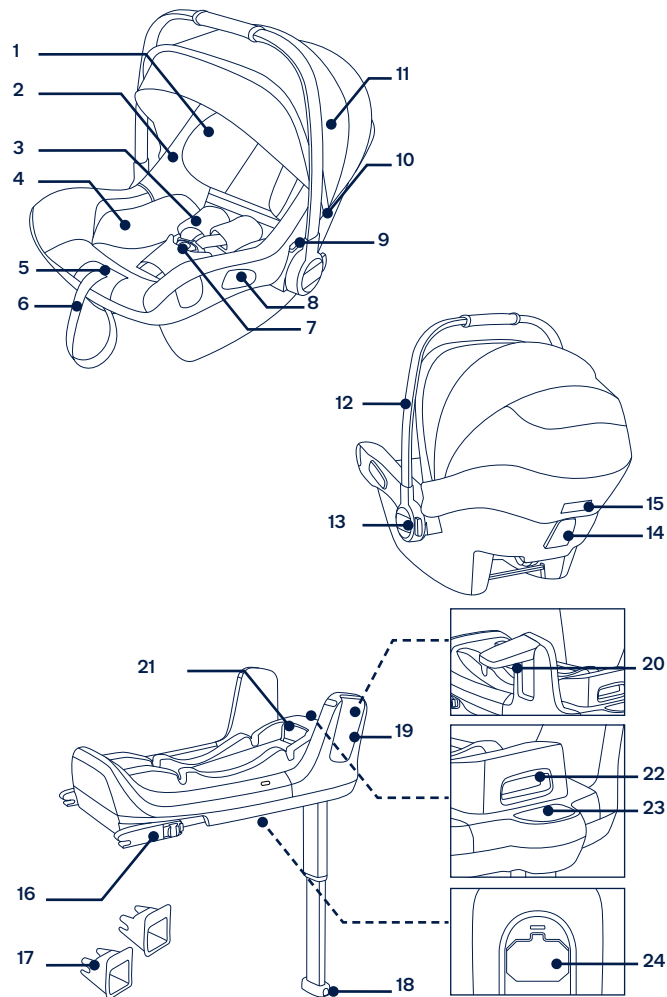
Instrukcje powinny być przechowywane na podwyższonym foteliku dla dziecka przez cały czas ich użytkowania.

Należy także zwrócić uwagę na instrukcje i ostrzeżenia znajdujące się w podręczniku producenta.

Lista części

Upewnij się, że wszystkie części znajdują się w zestawie zanim rozpoczniesz montaż. Jeśli brakuje jakiegokolwiek części, skontaktuj się z lokalnym sprzedawcą. Montaż nie wymaga użycia żadnych dodatkowych narzędzi.

- | | | | |
|----|--|----|---|
| 1 | Zaglówek | 14 | Prowadnica tylna |
| 2 | Tapicerka | 15 | Przycisk B odpinający fotelik od wózka |
| 3 | Pasy naramienne | 16 | Złącze ISOFIX |
| 4 | Wkładka dla noworodka | 17 | Wkładki pilotujące ISOFIX |
| 5 | Przycisk regulacji uprząży | 18 | Przycisk regulacji nogi stabilizującej |
| 6 | Pas do regulacji | 19 | System ochrony bocznej – absorbery (strefy zgniotu) |
| 7 | Klamra | 20 | Przycisk składania osłony |
| 8 | Prowadnica pasa | 21 | Przycisk zwalnający ISOFIX |
| 9 | Przycisk A odpinający fotelik od wózka | 22 | Przycisk zwalnający fotelik z bazy |
| 10 | Mocowanie daszka | 23 | Wskaźnik poprawności oparcia nogi o podłogę |
| 11 | Daszek | 24 | Wnęka do przechowywania instrukcji obsługi |
| 12 | Rączka | | |
| 13 | Przycisk regulacji rączki | | |



Korzystanie produktu

Wskazówki dotyczące instalacji

Fotelik z bazą może być montowany na siedzeniach pojazdów z zatwierdzoną pozycją mocowania w systemie i-Size ISOFIX. (1)

NIE montuj fotelika tyłem do kierunku jazdy na przednim siedzeniu z aktywną poduszką powietrzną. Może to być przyczyną śmierci lub poważnego uszczerbku na zdrowiu dziecka. (2) Aby pozyskać więcej informacji, zapoznaj się z instrukcją obsługi swojego samochodu.

NIE instaluj fotelika na kanapach, które ustawione są bokiem lub tyłem do kierunku jazdy. (3)

Zalecany jest, aby fotelik zamontować na tylnym siedzeniu pojazdu. (4)

NIE instaluj fotelika na kanapach, które są niestabilne podczas montażu.

Regulacja rączki

- 1- Rączkę można ustawić w jednej z 3 pozycji. (5)
- 2- Aby zmienić ustawienie rączki, naciśnij przyciski regulacji rączki po obu stronach. (6)-1
- 3- Przesław rączkę, aż znajdziesz się w wybranej przez Ciebie pozycji, a dźwięk kliknięcia oznacza, że rączka jest zablokowana. (6)-2

Instalacja z bazą

- 1- Rozłóż nogę stabilizującą. (7)
- 2- Nakieruj wkładki pilotujące ISOFIX na mocowania ISOFIX w samochodzie. (8) Wkładki zabezpieczają kanapę w samochodzie przed rozpruciem, jak również naprowadzają zaczepy ISOFIX.
- 3- Naciśnij przycisk regulatora mocowania ISOFIX, aby wyregulować złącza ISOFIX. (9)
- 4- Umieść w linii zaczepy ISOFIX oraz wkładki pilotujące, a następnie wepnij zaczepy ISOFIX w punkty mocowania ISOFIX w samochodzie.

! Upewnij się, że oba zaczepy ISOFIX są właściwie wpasowane w punktach mocowania w samochodzie. Powinieneś usłyszeć dwa kliknięcia, a kolor wskaźników w obu zaczepach powinien być całkowicie zielony. (10)-1

! Pociągnij za zaczepy ISOFIX, aby upewnić się, że są prawidłowo zamontowane.

5- Po zamontowaniu bazy na kanapie w samochodzie, wydłuż nogę stabilizującą tak, aby dotykała podłogi samochodu. (11) Wskaźnik długości nogi pokaże kolor zielony, gdy zostanie zamontowana prawidłowo. Czerwony kolor oznacza, że montaż jest nieprawidłowy. (11)-2

! Noga stabilizująca posiada 19 poziomów regulacji. Gdy wskaźnik długości nogi pokazuje kolor czerwony, oznacza to, iż jej pozycja jest nieprawidłowa.

! Upewnij się, że noga stabilizująca całkowicie przylega do podłogi auta.

! Aby skrócić nogę, naciśnij przycisk regulacji nogi i pociągnij ją do góry. (11)-1

Całkowicie zamontowaną bazę pokazano na rysunku (12).

! Zaczepy ISOFIX muszą być zabezpieczone w punktach mocowania ISOFIX. (12)-1

! Zielony wskaźnik na nodze stabilizującej potwierdza poprawność instalacji. (12)-2

6- Aby odpiąć bazę, naciśnij drugi przycisk odpinający zaczepy ISOFIX (13)-1 a następnie przycisk odpinający (13)-2 na złączach zatraskowych zanim usuniesz bazę z kanapy samochodu.

7- Naciśnij przycisk zwalniania ISOFIX, aby schować ISOFIX.

8- Wciśnij fotelik w bazę (14), usłyszysz charakterystyczne kliknięcie. Fotelik jest prawidłowo zamontowany, jeśli wysunięty jest absorber ochrony bocznej, a wskaźnik bezpiecznego zamontowania ma kolor zielony. (15) Gdy fotelik nie jest używany absorber boczny od strony drzwi może być zamknięty. (16)

! Poruszaj fotelikiem w celu sprawdzenia poprawności instalacji na bazie.

9- Aby zdemontować fotelik, podnieś fotelik do góry jednocześnie naciskając przycisk zwalnający. (17)

Regulacja wysokości

zaglówka i pasów naramiennych

Upewnij się, że mocowanie pasów naramiennych znajduje się na odpowiedniej wysokości.

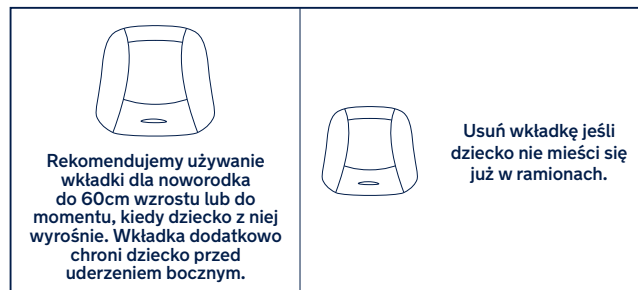
! Mocowanie górnych pasów powinno znajdować się w pozycji jak najbliższej ramion (18), jednak nie powyżej linii barków. (19)

! Złe dopasowanie pasów może być przyczyną poważnego uszczerbku na zdrowiu, a nawet śmierci.

Złap uchwyt regulacji wysokości zagłówka (20), ciągnij zagłówek w górę lub w dół, aż zablokuje się w jednej z 7 możliwych wysokości. Pozycje zagłówka pokazane na rysunku (21).

Zabezpiecz dziecko w foteliku

Używanie wkładki dla



Po tym jak dziecko zostanie umieszczone w foteliku, sprawdź czy mocowanie górnych pasów znajduje się na odpowiedniej wysokości.

- 1 - Podczas naciskania przycisku regulacji, który znajduje się z przodu fotelika, pociągnij oba mocowania naramiennych pasów bezpieczeństwa w foteliku. (22)
 - 2 - Odblokuj klamrę pasa poprzez naciśnięcie czerwonego przycisku. (23)
 - 3 - Umieść dziecko w foteliku i zapnij klamrę pasów.(25) Patrz rys. (24).
 - 4 - Naciągnij i dopasuj pasy bezpieczeństwa pociągając za taśmę z przodu fotela. (26)
- ! Upewnij się, że odległość między dzieckiem a uprzężą na ramiona jest w przybliżeniu równa grubości jednej dłoni.

Daszek

- 1 - Rozepnij suwak z przodu daszka. (27)
- 2 - Wyciągnij dream drape™ z daszka. (28)
- 3 - Przymocuj osłonę na znajdujące się na rogach magnesy z przodu fotelika. (29)
- 4 - Okno daszka można otworzyć w celu wentylacji. (30)

Demontaż miękkich elementów

patrz rysunki (31)-(42)

Ponowny montaż miękkich elementów należy wykonać w odwrotnej kolejności.

Instalacja bez bazy

- 1 - **NIE** instaluj fotelika na kanapach samochodowych posiadających tylko biodrowe pasy bezpieczeństwa. (43)
 - 2 - Fotelik jest rekomendowany do montażu na kanapach samochodowych z 3-punktowymi pasami bezpieczeństwa (bez bazy). (44)
 - 3 - Umieść fotelik na wybranej przez Ciebie kanapie w samochodzie. Zapnij samochodowy pas bezpieczeństwa w klamrze na pasy w pojeździe, przeciągając pas biodrowy przez prowadnice boczne fotelika. (45)
- ! **NIE** można użyć fotelika w samochodzie, jeżeli klamra pasa bezpieczeństwa pojazdu (żeńska klamra na końcu) jest zbyt długa, aby bezpiecznie zapiąć fotelik. (45)-1
- 4 - Wsuń pas naramienny w tylną prowadnicę. (46)
 - 5 - Naciągnij mocno pas naramienny aż fotelik zostanie stabilnie zamontowany. (47)
 - 6 - Linia poziomująca na foteliku musi znajdować się równolegle do ziemi, gdy fotelik jest zainstalowany. (48)
- ! Napnij samochodowy pas bezpieczeństwa tak mocno, jak to możliwe, sprawdzając jednocześnie czy nie jest poluzowany lub poskręcany.
- ! Po zamontowaniu fotelika zawsze sprawdzaj, czy pasy samochodowe są prawidłowo poprowadzone i bezpiecznie wpięte do klamry pojazdu. (49)

Instalacja w samolocie

- ! Należy pamiętać że bezpieczeństwo dziecka nie jest gwarantowane w przypadku niezastosowania się do instrukcji instalacji i obsługi.
- ! Należy pamiętać, że montaż fotelika na siedzeniu w samolocie różni się od instalacji w samochodzie.
- ! Należy pamiętać że 2-punktowe mocowanie „pasem biodrowym” jest dopuszczalne wyłącznie w samolocie.
- ! Należy pamiętać, że fotelik na pokładzie samolotu musi pozostać zapięty pasem, nawet gdy nie ma w nim dziecka.
- ! Należy pamiętać, że fotelika można używać tylko na siedzeniu pasażera wskazanym przez linię lotniczą.
- ! Ostrzeżenia, aby nie używać fotelika w obszarze poduszki powietrznej. (2)
- ! Zwróć uwagę, że fotelik powinien być instalowany tyłem na siedzeniach ustawionych przodem do kierunku lotu. (50)

Montaż fotelika za pomocą samolotowego pasa bezpieczeństwa:

- 1 - Umieść fotelik na miejscu dla pasażera przeciwnie do kierunku lotu.
 - 2 - Upewnij się, że rączka do przenoszenia znajduje się w najwyższym położeniu.
 - 3 - Umieść pas bezpieczeństwa w obu prowadnicach.
 - 4 - Zamknij pas bezpieczeństwa (patrz instrukcja bezpieczeństwa linii lotniczej).
 - 5 - Napnij pas bezpieczeństwa. (51)
- ! Klamra pasa bezpieczeństwa nie może znajdować się w zielonych prowadnicach pasa. (52)

Demontaż:

Odepnij pas bezpieczeństwa na siedzeniu pasażera (patrz instrukcja bezpieczeństwa linii lotniczej).

Czyszczenie i konserwacja

Możesz myć skorupę, elementy plastikowe oraz tworzywa za pomocą ściereczki, ale nie używaj chropowatych ścierek lub wybielaczy. Nie używaj produktów na bazie silikonu ponieważ mogą gromadzić brud.

W celu pozyskania informacji na temat prania i suszenia miękkich materiałów, sprawdź instrukcje na metkach.

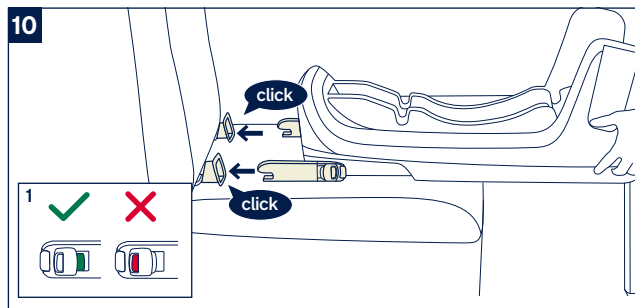
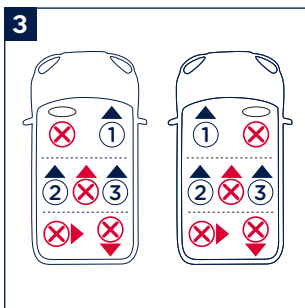
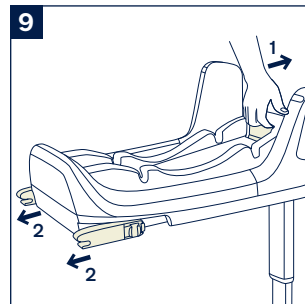
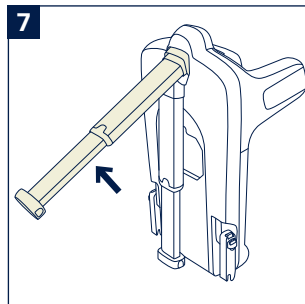
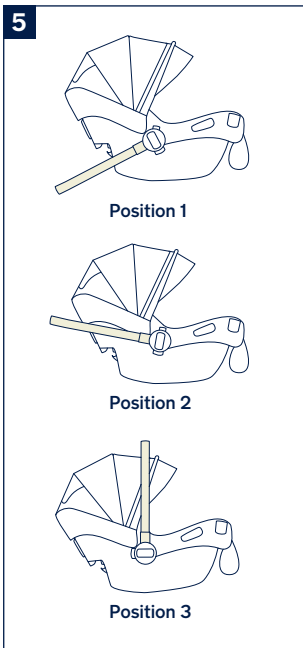
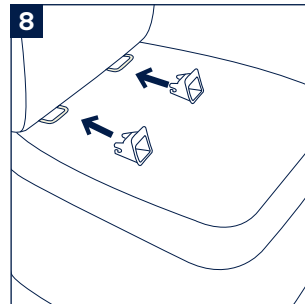
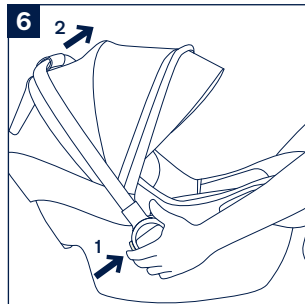
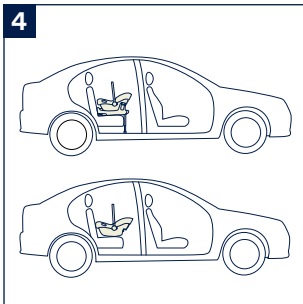
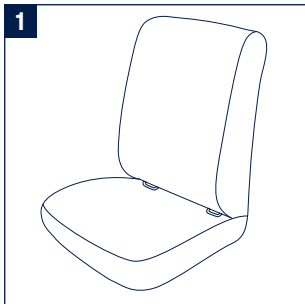
Aby zapewnić długą żywotność produktowi, przetrzyj go ściereczką, aby usunąć wilgoć po każdym użyciu w deszczu.

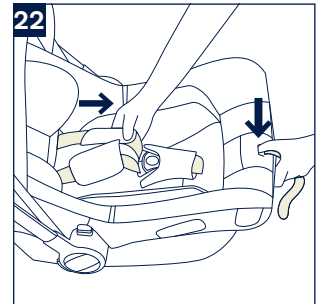
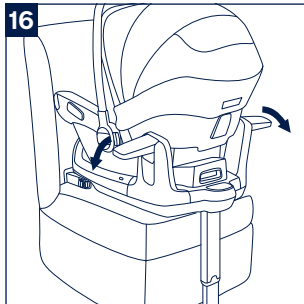
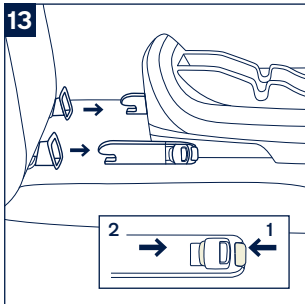
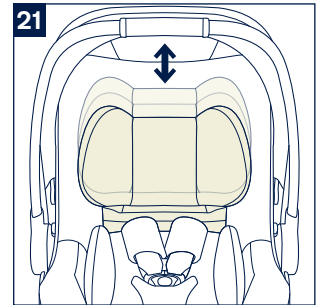
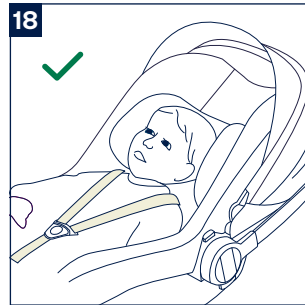
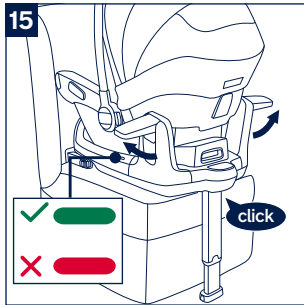
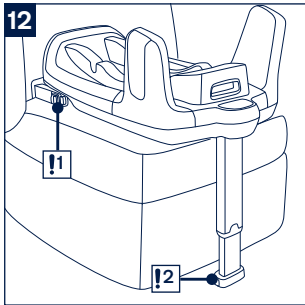
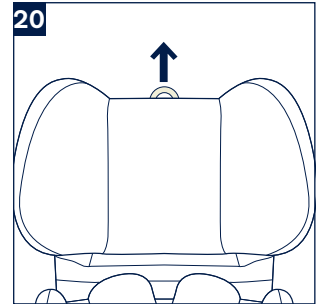
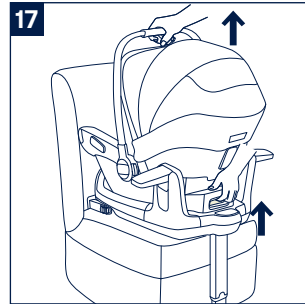
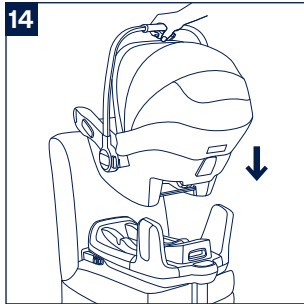
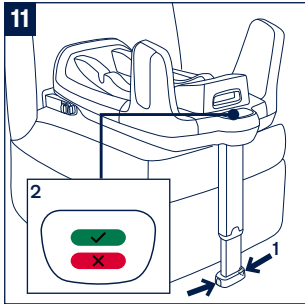
Normalnym jest, że kolory materiałów mogą wyblaknąć ze względu na działanie promieni słonecznych. Mogą się również przecierać po długim okresie użytkowania, nawet jeśli jest on zgodny z instrukcją.

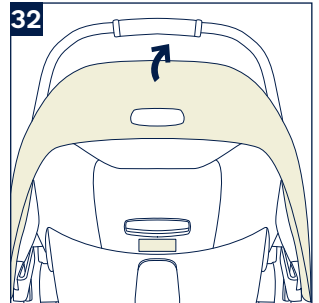
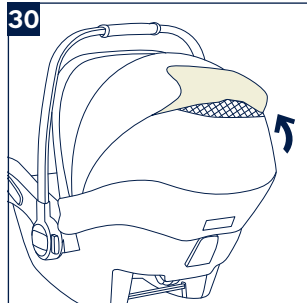
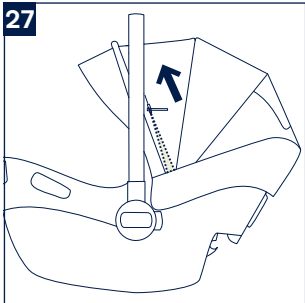
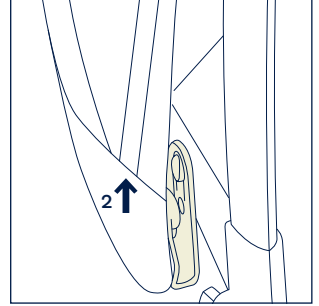
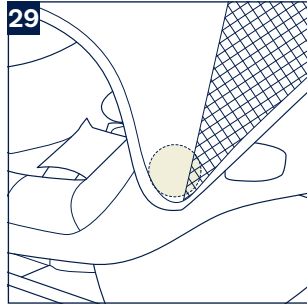
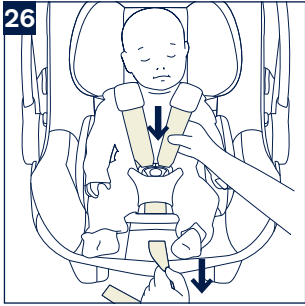
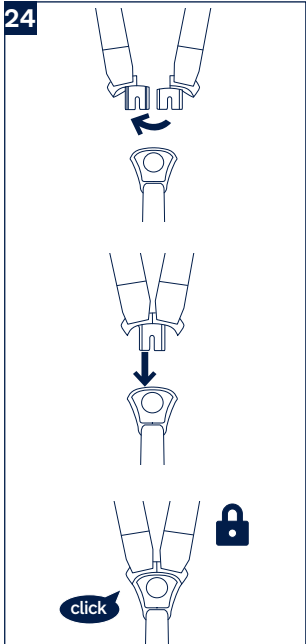
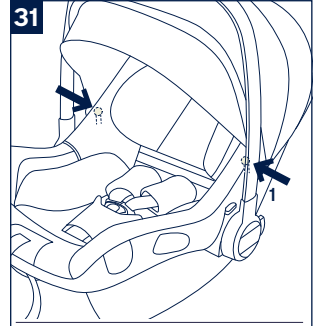
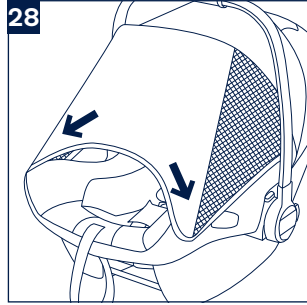
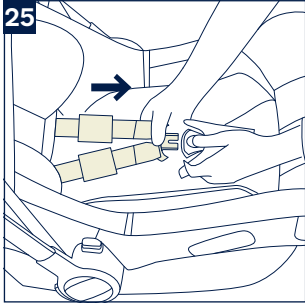
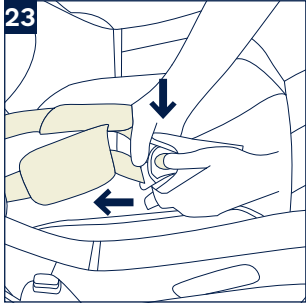
Ze względów bezpieczeństwa, używaj tylko oryginalnych części Nuna.

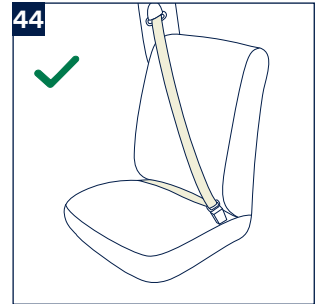
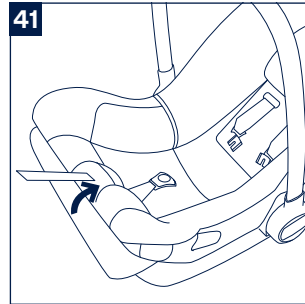
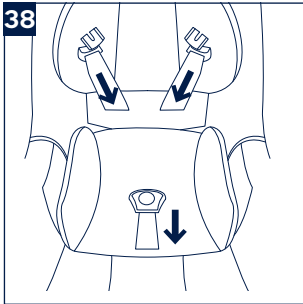
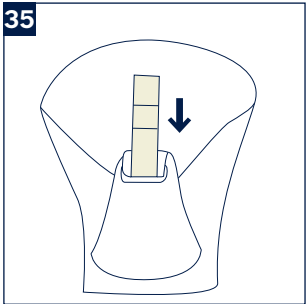
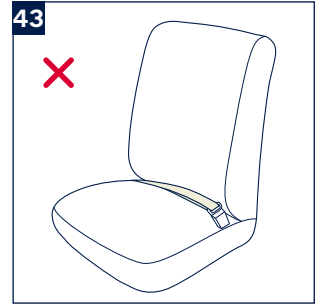
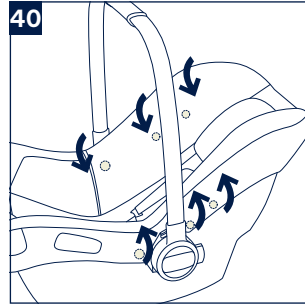
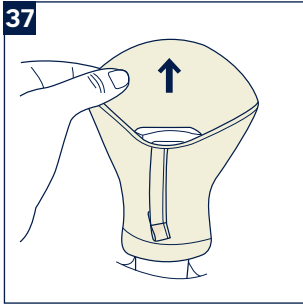
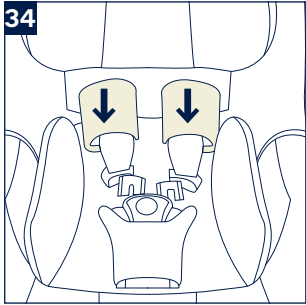
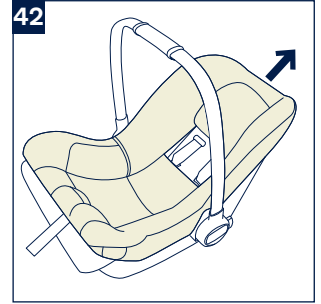
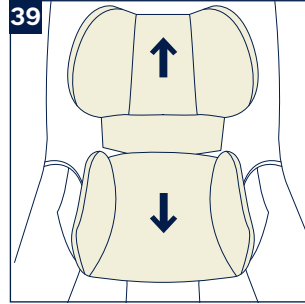
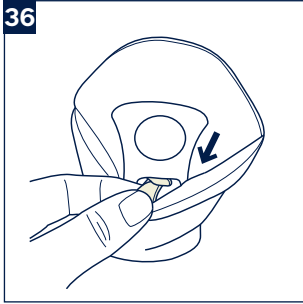
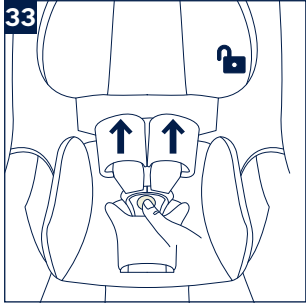
Regularnie sprawdzaj czy wszystko działa jak należy. Jeśli jakkolwiek część jest rozerwana, zepsuta czy czegoś brakuje natychmiast zaprzestań dalszego korzystania z produktu.

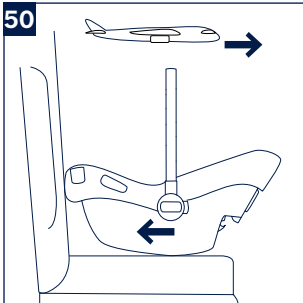
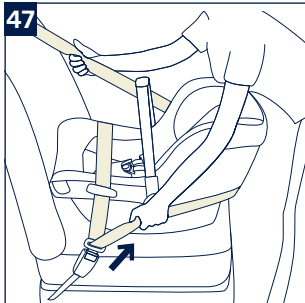
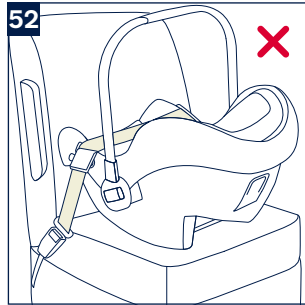
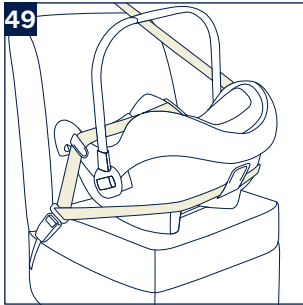
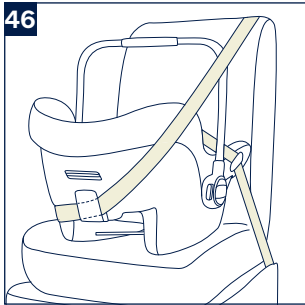
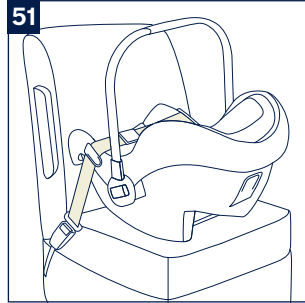
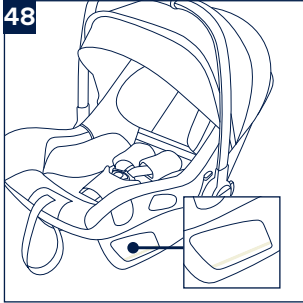
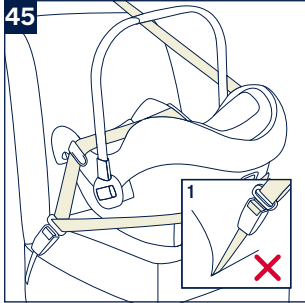
IMPORTANT!
KEEP THESE
INSTRUCTIONS FOR
FUTURE REFERENCE:
READ CAREFULLY











Designed
around your life



Contents

Product information	3
Product Registration	
Warranty	
Contact	
Child Usage Requirements	4
For Use with Base and without Base	5
Warning	6
Parts List	9
Product Use	11
Cleaning and Maintenance	16
Français (FR)	17
Deutsch (DE)	33
Nederlands (NL)	49
Italiano (IT)	65
Español (ES)	81
Português (PT)	97
Polski (PL)	113
Česky (CZ)	129
Slovenčina (SK)	145
Hrvatski (HR)	161
Slovenščina (SL)	177
Русский (RU)	193
Svenska (SV)	211
Suomi (FI)	227
Română (RO)	243
Ελληνικά (EL)	259
Türkçe (TR)	277
عربي (AR)	294
日本語 (JP)	309

DŮLEŽITÉ!
TYTO POKYNY
USCHOVEJTE PRO
BUDOUCÍ POUŽITÍ:
POZORNĚ ČTĚTE

Obsah

Informace o produktu	131
Registrace produktu	
Záruka	
Kontakt	
Požadavky na používání s dítětem	132
Pro použití se základnou a bez základny	133
Varování	134
Seznam dílů	137
Používání produktu	139
Čištění a údržba	144

Informace o produktu

Číslo modelu: _____

Datum výroby: _____

Registrace produktu

Vyplňte výše uvedené informace. Číslo modelu a datum výroby jsou uvedeny na dolní straně autosedačky PIPA next a základny PIPA next.

Svůj produkt můžete zaregistrovat na webu:

www.nunababy.com

Klikněte na odkaz „Registrace produktu“ na domovské stránce.

Záruka

Naše vysoce kvalitní produkty jsou navrženy tak, aby mohly růst s vaším dítětem i s vaší rodinou. Protože si za svým produktem stojíme, vztahuje se na něj individuální záruka na produkt, která začíná platit dnem jeho zakoupení. Než nás budete kontaktovat, připravte si doklad o zakoupení, číslo modelu a datum výroby.

Informace o záruce najdete na webu:

www.nunababy.com

Klikněte na odkaz „Záruka“ na domovské stránce.

Kontakt

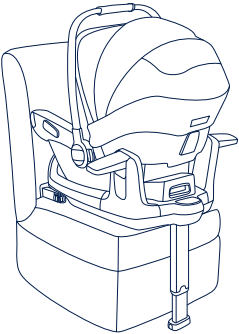
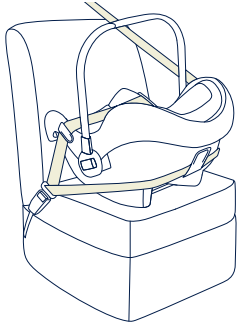
V případě náhradních dílů, servisu nebo dalších dotazů k záruce kontaktujte prosím naše oddělení zákaznického servisu.

info@nunababy.com

www.nunababy.com

Požadavky na používání s dítětem

Tento produkt je vhodný pro děti, které splňují následující podmínky:

Obrázek instalace	Vhodné pro
	Výška dítěte 40 – 83 cm/hmotnost dítěte ≤ 13 kg (přibližně 15 měsíců nebo méně)
	Výška dítěte 40 – 83 cm/Hmotnost dítěte ≤ 13 kg Věk dítěte ≤ 15 měsíců

Pro použití se základnou a bez základny

- 1- „i-Size“ (Integral Universal ISOFIX Enhanced Child Restraint Systems) je kategorie zdokonalených dětských zádržných systémů, které jsou primárně určeny k používání ve všech místech k sezení i-Size ve voze.
- 2- V souladu s předpisem OSN č. 129 je tento zdokonalený dětský zádržný systém se základnou považován za univerzální zdokonalený dětský zádržný systém ISOFIX a musí být připevněn s použitím konektorů ISOFIX.
- 3- Toto je zdokonalený dětský zádržný systém „i-Size“. Byl schválen v souladu s předpisem OSN č. 129 pro používání na místech k sezení vozu, která jsou kompatibilní se standardem i-Size, jak je uvedeno výrobcem vozu v návodu na použití vozu.
- 4- Toto je univerzální pásem připevněný zdokonalený dětský zádržný systém. Byl schválen v souladu s předpisem OSN č. 129 pro používání primárně na „univerzálních místech k sezení“ jak je uvedeno výrobcem vozu v návodu na použití vozu.
- 5- Pokud si nebudete jisti, obraťte se na výrobce nebo prodejce tohoto zdokonaleného dětského zádržného systému.
- 6- Autosedačku PIPA next lze používat s:
PIPA next base
ARRA base
BASE next

Pokyny pro instalaci ARRA base najdete v návodu k použití ARRA.

Pokyny pro instalaci základny BASE next najdete v návodu k použití základny BASE next.

VAROVÁNÍ

Nerespektování těchto varování a pokynů může vést k vážnému poranění nebo úmrtí.

Veškeré popruhy, které přidržují toto nosítko pro malé děti k vozidlu, nosná noha se musí dotýkat podlahy vozidla. Popruhy, kterými je dítě zajištěno, musí být nastaveny podle jeho těla. Popruhy nesmí být zkrácené.

Po umístění dítěte do této zdokonalené dětské autosedačky musí být správně použít bezpečnostní pás.

Veškerá zavazadla nebo jiné předměty, které v případě nehody mohou způsobit zranění, musí být řádně zajištěny.

Zajistěte, aby byla zdokonalená dětská autosedačka nainstalována tak, aby žádná její část nekolidovala s pohyblivými sedadly ani s používáním dveří vozu.

Než budete přenášet toto nosítko pro malé děti v ruce, zkontrolujte, zda je dítě zajištěné postrojem a zda je rukojeť správně zajištěná ve svislé poloze.

Informace ohledně údržby, opravy a náhradních dílů vám poskytne distributor.

Ke správné instalaci lze použít pouze konektory ISOFIX.

Pravidelně kontrolujte, zda vodička ISOFIX nejsou znečištěná, a podle potřeby je čistěte. Vniknutím nečistot, prachu, drobečků apod. může být omezena spolehlivost.

Před zakoupením této zdokonalené dětské autosedačky ověřte, zda ji lze řádně nainstalovat do vašeho vozu.

Tuto zdokonalenou dětskou autosedačku uchovávejte bez textilního potahu mimo přímé sluneční světlo. V opačném případě bude příliš horká pro pokožku dítěte. Před vložením dítěte vždy dotykem zkontrolujte teplotu zdokonalené dětské autosedačky.

Aby bylo možné používat tento zdokonalený dětský zádržný systém s připojením ISOFIX v souladu s předpisem OSN č. 129, musí vaše dítě splňovat následující podmínky.

Výška dítěte 40 – 83 cm/hmotnost dítěte ≤ 13 kg (přibližně do 15 měsíců)

Abyste bylo možné použít toto nosítko pro malé děti s bezpečnostním pásem automobilu, musí vaše dítě splňovat následující požadavky.

Hmotnost dítěte ≤ 13 kg/věk dítěte ≤ 15 měsíců.

Látkové potahy této zdokonalené dětské autosedačky smí být nahrazeny pouze podle doporučení výrobce, protože se nedílnou částí podílejí na účinnosti autosedačky.

Abyste se zabránilo vypadnutí, po umístění do tohoto nosítka vždy dítě zajistěte postrojem, i když se tato zdokonalená dětská autosedačka nenachází ve voze.

Abyste se zabránilo vážnému zranění nebo smrti, **V ŽÁDNÉM PŘÍPADĚ** neumísťujte nosítko s dítětem na zvýšený povrch sedačky.

Je zakázáno jakkoli mazat součásti této zdokonalené dětské autosedačky.

Pokud toto nosítko pro malé děti a základnu nepoužíváte pravidelně, vyjměte je z vozu.

Dítě v této zdokonalené dětské autosedačce **VŽDY** zajistěte, i na krátkých trasách; nejvíce nehod se přihodí právě při nich.

V ŽÁDNÉM PŘÍPADĚ nenechávejte své dítě s touto zdokonalenou dětskou autosedačkou bez dozoru.

V ŽÁDNÉM PŘÍPADĚ nepoužívejte zdokonalenou dětskou autosedačku z druhé ruky ani zdokonalenou dětskou autosedačku, její historie není známa. Její struktura může být poškozena a bezpečnost vašeho dítěte ohrožena.

V ŽÁDNÉM PŘÍPADĚ nepoužívejte provazy ani jiné náhražky k zajištění zdokonalené dětské autosedačky ve voze nebo k zajištění dítěte ve zdokonalené dětské autosedačce.

ŽÁDNÁ zdokonalená dětská autosedačka nezaručuje plnou ochranu před zraněním v případě nehody. Správným používáním této zdokonalené dětské autosedačky se ale sníží riziko vážného zranění nebo smrti vašeho dítěte.

NEPOUŽÍVEJTE zdokonalené dětské zádržné systémy v orientaci proti směru jízdy na sedadlech, na kterých je nainstalován aktivní čelní airbag. Mohlo by dojít k úmrtí nebo k vážnému zranění. Vyhledejte další informace v návodu na používání automobilu.

NEUMÍSŤUJTE žádné předměty do prostoru opěrné nohy před základnou.

NEPOUŽÍVEJTE žádné jiné zátěžové kontaktní body, než jsou popsány v těchto pokynech a označeny na této zdokonalené dětské autosedačce.

PŘESTAŇTE používat tuto zdokonalenou dětskou autosedačku, pokud byla vystavena (i menšímu) nárazu. Ihned ji vyměňte, protože mohlo dojít ke skrytému poškození struktury vlivem nárazu.

VŽDY instalujte tuto zdokonalenou dětskou autosedačku výhradně v souladu s tímto návodem. V opačném případě vystavujete své dítě nebezpečí vážného zranění nebo smrti.

NEPROVÁDĚJTE žádné úpravy této zdokonalené dětské autosedačky. Používejte pouze díly schválené výrobcem.

NEPOUŽÍVEJTE tento zdokonalený dětský zádržný systém bez látkových potahů.

V ŽÁDNÉM PŘÍPADĚ nepoužívejte tuto zdokonalenou dětskou autosedačku, pokud je nekompletní nebo poškozená.

NEOBLÉKEJTE své dítě do oblečení, které je příliš/nadměrně velké. Mohlo by to zabránit řádnému a bezpečnému uchycení dítěte ramenními popruhy a popruhy mezi nohama.

NENECHÁVEJTE tuto zdokonalenou dětskou autosedačku ani jiné předměty ve voze nepřipásané nebo nezajištěné, protože by se mohly prudce pohybovat a poranit spolujezdce v ostré zatáčce, při náhlém zastavení nebo při dopravní nehodě.

V ŽÁDNÉM PŘÍPADĚ nekládejte žádné dodatečné vložky, než ty, které jsou součástí této zdokonalené dětské autosedačky.

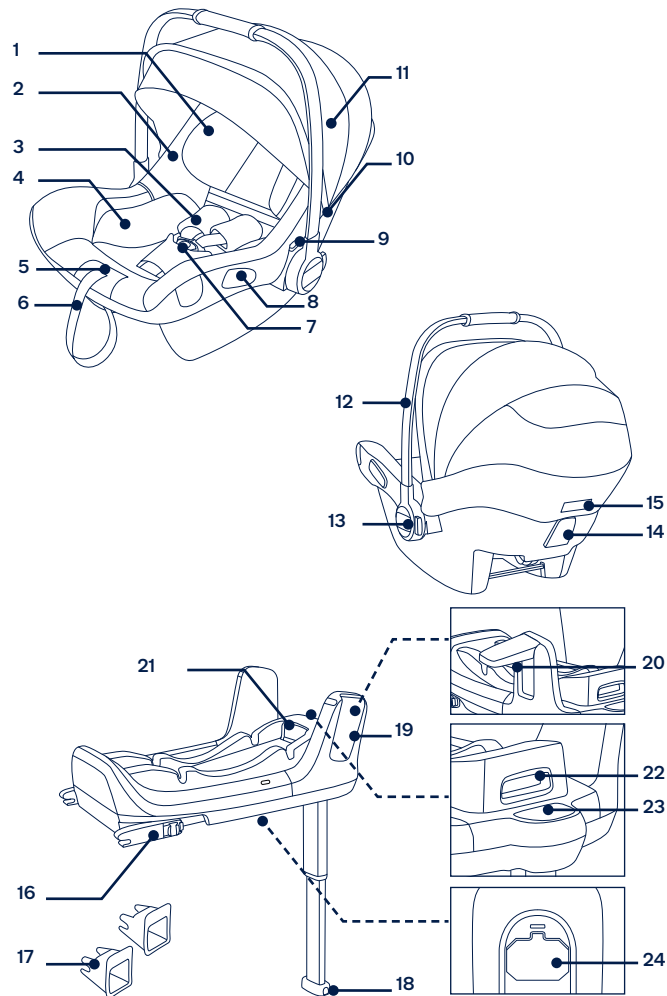
Pokyny je třeba uchovávat ve vylepšené dětské autosedačce po celou dobu používání.

Rovněž věnujte pozornost pokynům a varováním v příručce výrobce vozu.

Seznam dílů

Před instalací se prosím ujistěte, že žádná část sestavy nechybí. Modul nosítka pro novorozence a základna mohou být prodávány samostatně. Pokud některá část chybí, kontaktujte nejbližšího prodejce. K sestavení nejsou zapotřebí žádné nástroje.

- | | | | |
|----|---------------------------------|----|--|
| 1 | Podhlavník | 14 | Zadní vodítko |
| 2 | Vložka sedačky | 15 | Tlačítko uvolnění kočárku B |
| 3 | Popruhy ramenního postroje | 16 | Konektor ISOFIX |
| 4 | Novorozenecká vložka | 17 | Vodítka ISOFIX |
| 5 | Tlačítko pro nastavení postroje | 18 | Tlačítko nastavení opěrné nohy |
| 6 | Pás nastavení délky postroje | 19 | Ochrana proti bočnímu nárazu |
| 7 | Bezpečnostní přezka | 20 | Tlačítko složení ochrany dozadu |
| 8 | Boční vodítka | 21 | Tlačítko nastavení ISOFIX |
| 9 | Tlačítko uvolnění kočárku A | 22 | Uvolňovací tlačítko modulu nosítka pro novorozence |
| 10 | Držák stříšky | 23 | Indikátor opěrné nohy |
| 11 | Stříška | 24 | Příhrádka na návod |
| 12 | Rukojeť | | |
| 13 | Tlačítko rukojeti | | |



Používání produktu

Upozornění k instalaci

Toto nosítko pro malé děti je vhodné pro sedadla vozů s body ukotvení i-Size ISOFIX se základnou. (1)

NEPOUŽÍVEJTE zdokonalené dětské zádržné systémy v orientaci proti směru jízdy na sedadlech, na kterých je nainstalován aktivní čelní airbag. Mohlo by dojít k úmrtí nebo k vážnému zranění. (2) Vyhleďte další informace v návodu na používání automobilu.

NEINSTALUJTE tuto zdokonalenou dětskou autosedačku na sedadla vozu, která směřují do strany nebo dozadu vzhledem ke směru pohybu vozu. (3)

Doporučujeme nainstalovat tuto zdokonalenou dětskou autosedačku na zadní sedadlo vozu. (4)

NEINSTALUJTE tuto zdokonalenou dětskou autosedačku na sedadla vozidla, která se během instalace pohybují.

Nastavení rukojeti

- 1 - Rukojeť tohoto nosítka pro malé děti lze nastavit do 3 poloh. (5)
- 2 - Chcete-li nastavit rukojeť, uvolněte ji stisknutím knoflíků na obou stranách. (6)-1
- 3 - Natočte rukojeť tak, aby zacvakla v některé ze 3 poloh. (6)-2

Instalace se základnou

- 1 - Vyklopte opěrnou nohu z úložného prostoru. (7)
- 2 - Nasadte vodička ISOFIX s kotvicími body ISOFIX. (8) Vodička ISOFIX chrání potah sedadel před potrháním. Rovněž mohou vést konektory ISOFIX.
- 3 - Stiskněte nastavovací tlačítko ISOFIX a nastavte konektory ISOFIX. (9)
- 4 - Zorientujte konektory ISOFIX s vodičky ISOFIX a potom zacvakněte oba konektory ISOFIX do kotvicích bodů ISOFIX. (10)

! Ujistěte se, že jsou oba konektory ISOFIX pevně uchyceny k příslušným kotvicím bodům ISOFIX. Při správném uchycení se musí ozvat dvě cvaknutí a indikátory na obou konektorech ISOFIX musí být zcela zelené. (10)-1

! Zatažením za oba konektory ISOFIX zkontrolujte, zda je základna řádně nainstalována.

5 - Umístěte základnu na sedadlo vozidla a vysuňte opěrnou nohu k podlaze (11). Když je indikátor opěrné nohy zelený, znamená to, že je opěrná noha nainstalována správně. Pokud je červený, znamená to, že není nainstalován správně. (11)-2

! Opěrná noha má 19 pozic. Když je indikátor opěrné nohy červený, znamená to, že se opěrná noha nachází v nesprávné pozici.

! Opěrná noha musí být v plném kontaktu v podlahou vozidla.

! Chcete-li opěrnou nohu zkrátit, stiskněte uvolňovací tlačítko opěrné nohy a zatlačte nohu nahoru. (11)-1
Kompletně sestavená základna je zobrazena pod číslem (12).

! Konektory ISOFIX musí být připevněny a zajištěny na kotvicích bodech ISOFIX. (12)-1

! Opěrná noha musí být nainstalována správně se zeleným indikátorem. (12)-2

6 - Chcete-li sejmut základnu, nejdříve stiskněte tlačítko sekundárního zámku (13)-1 a potom tlačítko (13)-2 na západkových konektorech. Potom sejměte základnu ze sedadla vozu.

7 - Stiskněte nastavovací tlačítko ISOFIX a zasuňte ISOFIX.

8 - Zatlačte nosítko pro malé děti do základny (14). Pokud je zdokonalená dětská autosedačka bezpečně nainstalována, chránič bočního nárazu bude otevřený a indikátor zajištěné zdokonalené autosedačky je zelený. (15) Chránič bočního nárazu, který je na opačné straně od dveří a nepoužívá se, lze zavřít podle obrázku (16).

! Zatažením nosítka pro novorozence směrem nahoru zkontrolujte, zda je řádně zajištěno k základně.

9 - Chcete-li nosítko pro malé děti uvolnit, zvedejte zdokonalenou dětskou autosedačku nahoru a zároveň stiskněte tlačítko pro uvolnění nosítka pro malé děti. (17)

Výškové nastavení

pro hlavovou opěrku a ramenní pásy

Zkontrolujte, zda jsou popruhy ramenního postroje ve správné výšce. Zvolte odpovídající dvojici otvorů pro popruhy ramenního postroje vzhledem k výšce dítěte.

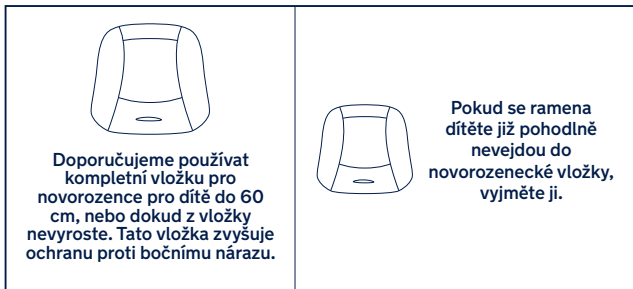
! Nastavení popruhů ramenního postroje musí co nejvíce odpovídat ramenům dítěte (18), ale nesmí přesahovat rovinu ramen. (19)

! Pokud nejsou popruhy ramenního postroje nastaveny do správné výšky, při autonehodě může být dítě vystřeleno z této zdokonalené dětské autosedačky.

Zatáhněte za páčku pro nastavení výšky (20) a zároveň ji zatlačte dolů, nebo vytáhněte nahoru, dokud nezapadne do jedné ze 7 pozic. Pozice hlavové opěrky jsou uvedeny na obrázku (21).

Zajištění dítěte

Použití vložky pro novorozence



Vložte dítě do sedačky a zkontrolujte, zda jsou popruhy ramenního postroje ve správné výšce.

- 1 - Nejprve stiskněte a držte tlačítko pro povolení postroje a povolte zcela oba pásy ramenního postroje zdokonalené dětské autosedačky. (22)
- 2 - Stisknutím červeného tlačítka uvolněte přezku postroje. (23)
- 3 - Vložte dítě do nosítka pro malé děti a zapněte přezku. (25) Postupujte podle (24).
- 4 - Zatažením za popruhy ramenního postroje utáhněte ramenní popruhy. (26)

! Zajistěte, aby mezi dítětem a popruhy ramenního postroje byl prostor přibližně na tloušťku jedné ruky.

Stříška

- 1 - Rozepněte zip předního oblouku stříšky. (27)
- 2 - Vytáhněte clonu dream drape™ ze stříšky. (28)
- 3 - Připevněte magnety v každém rohu k magnetům na přední straně nosítka pro malé děti. (29)
- 4 - Okénko ve stříšce lze otevřít pro zajištění větrání. (30)

Sejmutí a montáž látkových částí

viz obrázky (31)-(42)

Při nasazování látkových částí postupujte podle výše uvedených kroků v opačném pořadí.

Instalace bez základny

- 1 - **NEINSTALUJTE** toho nosítka pro malé děti do vozů, které jsou vybaveny pouze kyčelním pásem. (43)
- 2 - Toto nosítka pro malé děti je vhodné pouze pro sedadla vozů vybavených 3bodovým samonavíjecím bezpečnostním pásem (bez základny). (44)
- 3 - Umístěte nosítka pro malé děti na požadované místo na sedadle vozu. Vytáhněte bezpečnostní pás vozu a zapněte jej do přezky vozu. Zasuňte kyčelní pás vozu do bočních vodiček nosítka pro malé děti. (45)
- ! Toto nosítka pro novorozence nelze instalovat do vozů, u kterých je přezka bezpečnostního pásu vozu příliš daleko od sedadla a neumožňuje tak bezpečnou instalaci nosítka. (45)-1
- 4 - Zasuňte úhlopříčný pás do zadního vodička. (46)
- 5 - Nosítka pro malé děti pevně a bezpečně utáhněte zatažením za ramenní pás. (47)
- 6 - Když je nainstalováno nosítka pro malé děti, musí být vodováha na nosítku v rovině se zemí. (48)
- ! Bezpečnostní pás sedadla vozidla co nejvíce utáhněte a zkontrolujte – nesmí být uvolněný nebo překroucený.
- ! Po nainstalování nosítka pro malé děti vždy zkontrolujte, zda jsou bezpečnostní pásy sedadla vozidla správně zorientovány a bezpečně připojeny ke sponě ve voze. (49)

Instalace v letadle

- ! Pozor! V případě nedodržení pokynů pro instalaci a pokynů pro používání nelze zaručit bezpečnost dítěte.
- ! Pozor! Instalace nosítka pro malé děti na sedadlo v letadle se liší od instalace na sedadlo v automobilu.
- ! Pozor! V letadle je povoleno pouze 2bodové upevnění bederním pásem.
- ! Pozor! Nosítko pro malé děti musí zůstat připoutané na sedadle v letadle, i když není obsazeno.
- ! Pozor! Nosítko pro malé děti lze používat na sedadle pro cestující pouze na základě svolení letecké společnosti.
- ! Varování! Nosítko pro malé děti nepoužívejte v místech výstřelu airbagu. (2)
- ! Pozor! Nosítko pro malé děti v orientaci proti směru jízdy lze instalovat pouze na sedadla pro cestující, která jsou orientována po směru jízdy. (50)

Pokyny pro instalaci nosítka pro novorozence s použitím bezpečnostního pásu sedadla v letadle:

- 1 - Umístěte nosítko pro malé děti na sedadlo pro cestující proti směru letu.
 - 2 - Zkontrolujte, zda se rukojeť pro přenášení nachází v nejvyšší poloze.
 - 3 - Vložte bezpečnostní pás do obou vodiček.
 - 4 - Zapněte bezpečnostní pás (postupujte podle bezpečnostních pokynů letecké společnosti).
 - 5 - Zatažením za konec pásu jej utáhněte. (51)
- ! Spona bezpečnostního pásu se za žádných okolností nesmí nacházet v tmavě zelených vodičkách. (52)

Odpoutání:

Odepněte bezpečnostní pás sedadla pro cestující (postupujte podle bezpečnostních pokynů letecké společnosti).

Nyní můžete sejmut nosítko pro malé děti ze sedadla pro cestující.

Čištění a údržba

Rám, plastové části a potah můžete čistit vlhkým hadříkem. Nepoužívejte abrazivní prostředky ani bělidlo. Nepoužívejte silikonová maziva, která přitahují prach a nečistoty.

Aby byla zajištěna dlouhá životnost, po používání v deštivém počasí otřete kočárek měkkým savým hadříkem.

Pokyny pro praní a sušení jsou uvedeny na štítcích s pokyny pro péči a údržbu, které jsou připevněny na textilních částech.

Je normální, že barva potahu časem vybledne a opotřebuje se v důsledku praní a/nebo slunečního záření, a to i při běžném používání.

Z bezpečnostních důvodů používejte pouze originální díly Nuna.

Pravidelně kontrolujte, zda vše funguje správně. Pokud se některá část nosítka roztáhne, praskne nebo se ztratí, přestaňte produkt používat.

DÔLEŽITÉ!
UCHOVAJTE TIETO
POKYNY PRE
NESKORŠIE POUŽITIE:
POZORNE SI
PREČÍTAJTE

Obsah

Informácie o výrobku	147
Registrácia výrobku	
Záruka	
Kontakt	
Požiadavky na používanie s deťmi	148
Na použitie so základňou a bez základne	149
Výstraha	150
Zoznam jednotlivých častí	153
Používanie výrobku	155
Čistenie a údržba	160

Informácie o výrobku

Číslo modelu: _____

Dátum výroby: _____

Registrácia výrobku

Vyplňte vyššie uvedené informácie. Číslo modelu a dátum výroby sú umiestnené na spodnej strane výrobku PIPA next a základne PIPA next.

Aby ste svoj výrobok zaregistrovali, navštívte:

www.nunababy.com

Na domovskej stránke kliknite na odkaz „Registrovať produkt“.

Záruka

Zámerne sme navrhli naše výrobky vysokej kvality tak, aby mohli rásť s vašim dieťaťom aj vašou rodinou. Pretože si stojíme za naším výrobkom, naše vybavenie je kryté vlastnou zárukou na každý výrobok, začínajúc dňom zakúpenia. Ak nás budete kontaktovať, pripravte si doklad o kúpe, číslo modelu a dátum výroby.

Viac informácií o záruke nájdete na stránke:

www.nunababy.com

Na domovskej stránke kliknite na odkaz „Záruka“.

Kontakt

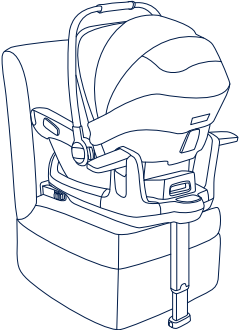
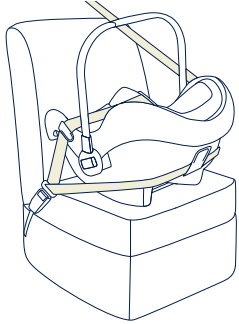
Ohľadne náhradných dielov, servisu alebo ďalších otázok o záruke sa obráťte na naše oddelenie služieb zákazníkom.

info@nunababy.com

www.nunababy.com

Požiadavky na používanie s deťmi

Tento výrobok je vhodný na používanie s deťmi, ktoré spĺňajú nasledujúce požiadavky:

Obrázok so znázornením inštalácie	Vhodná pre
	Výška dieťaťa 40 až 83 cm/Hmotnosť dieťaťa ≤ 13kg (približne vo veku 15 mesiacov alebo menej)
	Výška dieťaťa 40 až 83 cm/Hmotnosť dieťaťa ≤ 13 kg Vek dieťaťa ≤ 15 mesiacov

Na použitie so základňou a bez základne

- 1- „i-Size“ (Integral Universal ISOFIX Enhanced Child Restraint Systems (Integrované univerzálne Zosilnené detské zadržiavacie systémy ISOFIX)) je kategória Zosilneného detského zadržiavacieho systému primárne navrhnutého na použitie na všetkých miestach na sedenie vo vozidle vybavených systémom i-Size.
- 2- Podľa Predpisu OSN č. 129 je Zosilnená detská autosedačka so základňou Univerzálna zosilnená detská autosedačka ISOFIX a musí sa montovať pomocou prípojok ISOFIX.
- 3- Toto je zosilnený detský zadržiavací systém „i-Size“. Je schválený podľa Predpisu OSN č. 129 na použitie v sedadle na sedenie pre vozidlá kompatibilné so systémom „i-Size“ podľa toho, ako uvádzajú výrobcovia vozidiel v príručke používateľa vozidla.
- 4- Toto je Univerzálny pásom držaný zosilnený detský zadržiavací systém. Je schválený podľa Predpisu OSN č. 129 na použitie predovšetkým v „Univerzálnych polohách sedadiel“, ako sa uvádza výrobcami vozidla v návode na používanie vozidla.
- 5- V prípade pochybností sa obráťte na výrobcu alebo predajcu zosilneného detského zadržiavacieho systému.
- 6- Detská autosedačka PIPA next je kompatibilná s týmito výrobkami:
 - PIPA next base
 - ARRA base
 - BASE next

Informácie o inštalácii ARRA base nájdete v návode na použitie ARRA.

Informácie o inštalácii BASE next nájdete v návode na použitie výrobku BASE next.

⚠ VÝSTRAHA

Nedodržanie týchto výstrah a pokynov môže viesť k vážnemu poraneniu alebo smrti.

Všetky popruhy, pomocou ktorých je modul detskej sedačky pripravený k vozidlu, oporná noha sa musí dotýkať podlahy vozidla a popruhy, ktoré zadržiavajú dieťa, sa musia prispôbiť telu dieťaťa. Popruhy nesmú byť skrútené.

Po uložení dieťaťa do tohto zosilneného detského zadržiavacieho systému sa musí bezpečnostný pás použiť správne.

Akákoľvek batožina alebo iné predmety, ktoré by mohli spôsobiť zranenie v prípade kolízie, sa musia správnym spôsobom zaistiť.

Uistite sa, že je zosilnená detská autosedačka nainštalovaná tak, aby žiadna jej časť nezasahovala do priestoru pohybu pohyblivých sedadiel ani do pohybu a ovládacích prvkov dverí vozidla.

Pred prenášaním modulu detskej sedačky v ruke sa uistite, že je dieťa pripútané pomocou detských popruhov a že je rukoväť správne zaistená vo vertikálnej polohe.

Ohľadne otázok týkajúcich sa údržby, opravy a výmeny dielov sa obráťte na distribútora.

Správna inštalácia je povolená len pomocou prípojok ISOFIX.

Často kontrolujte, či nie sú vodiace prvky ISOFIX špinavé a v prípade potreby ich vyčistite. Spoluahľivosť môže byť ovplyvnená prenikaním nečistôt, prachu, častíc jedla atď.

Pred zakúpením tejto zosilnenej detskej autosedačky skontrolujte, či je možná jej správna inštalácia vo vašom vozidle.

Uchovávajte túto zosilnenú detskú autosedačku bez textilného krytu mimo slnečného svetla, pretože môže byť pre pokožku dieťaťa príliš horúca. Pred vložením dieťaťa do Zosilnenej detskej autosedačky sa jej vždy dotknite.

Aby ste mohli používať túto zosilnenú detskú autosedačku s prípojkami ISOFIX podľa Predpisu OSN č.129, dieťa musí spĺňať nasledujúce požiadavky.

Výška dieťaťa 40 až 83 cm/Hmotnosť dieťaťa ≤ 13kg (vo veku približne 15 mesiacov alebo menej).

Na používanie tohto modulu detskej sedačky s pásom vozidla musí vaše dieťa spĺňať nasledujúce požiadavky.

Hmotnosť dieťaťa ≤ 13 kg/Vek dieťaťa ≤ 15 mesiacov.

Mäkké textilie detského zadržiavacieho systému sa nesmú nahrádzať inými než odporúčanými výrobcom, pretože mäkké textilie tvoria neoddeliteľnú súčasť charakteristických vlastností detskej autosedačky.

Abyste zabránili riziku vypadnutia, dieťa vždy zaisťujte pomocou detských popruhov, keď je dieťa umiestnené v module detskej sedačky, aj keď zosilnená detská autosedačka nie je vo vozidle.

Abyste predišli vážnemu poraneniu alebo smrti, **NIKDY** neumiestňujte modul detskej sedačky na vyvýšený povrch, keď je v ňom dieťa.

Časti tejto zosilnenej detskej autosedačky sa nesmú mazať nijakým spôsobom.

Keď sa tento modul detskej sedačky bežne nepoužíva, vyberte ho z auta spolu so základňou.

Dieťa v zosilnenej detskej autosedačke **VŽDY** zaisťujte, aj keď idete len na krátku cestu, pretože práve pri tých sa vyskytuje najviac nehôd.

NIKDY nenechávajte svoje dieťa s touto zosilnenou detskou autosedačkou bez dozoru.

NIKDY nepoužívajte zosilnenú detskú autosedačku z druhej ruky ani zosilnenú detskú autosedačku, ktorej históriu nepoznáte, pretože môže mať konštrukčné poškodenie, ktoré môže ohrozovať bezpečnosť vášho dieťaťa.

NIKDY nepoužívajte laná ani iné náhrady na zaistenie zosilnenej detskej autosedačky vo vozidle ani na zaistenie dieťaťa v zosilnenej detskej autosedačke.

ŽIADNA zosilnená detská autosedačka nedokáže zaručiť úplnú ochranu pred zranením pri nehode. Správne používanie tohto detského zadržiavacieho systému však znižuje riziko vážneho poranenia alebo smrti dieťaťa.

NEPOUŽÍVAJTE zosilnené detské zadržiavacie systémy smerujúce tvárou dozadu na miestach na sedenie, kde je nainštalovaný aktívny čelný airbag. Môže dôjsť k smrti alebo vážnemu zraneniu. Viac informácií nájdete v návode na obsluhu vozidla.

Do oblasti opornej nohy pred základňou **NEUMIESTŇUJTE** žiadne predmety.

NEPOUŽÍVAJTE žiadne iné kontaktné záťažové body, ako sú uvedené v pokynoch a označené na zosilnenej detskej autosedačke.

Túto zosilnenú detskú autosedačku **NEPOUŽÍVAJTE ďalej** v prípade, že došlo k akémukoľvek typu nárazu, dokonca aj slabému. Okamžite ju vymeňte, pretože môže trpieť neviditeľnými konštrukčnými poškodeniami v dôsledku nárazu.

NEINŠTALUJTE túto zosilnenú detskú autosedačku bez toho, aby ste sa neriadili pokynmi v tejto príručke, pretože inak by ste mohli svoje dieťa vystaviť vážnemu riziku poranenia alebo smrti.

NEVYKONÁVAJTE žiadnu úpravu tejto zosilnenej detskej autosedačky a ani ju nepoužívajte s komponentmi iných výrobcov.

NEPOUŽÍVAJTE detský zadržiavací systém bez mäkkých textílií.

NEPOUŽÍVAJTE túto zosilnenú detskú autosedačku, ak má poškodené alebo chýbajúce časti.

NEOBLIEKAJTE svoje dieťa do veľkých/nadrozmerých odevov, pretože by mohli zabrániť tomu, aby bolo dieťa správne a bezpečne upevnené ramennými popruhmi a rozkrokovým popruhom medzi nohami.

NENECHÁVAJTE túto zosilnenú detskú autosedačku ani iné veci nepripútané alebo nezaistené vo vozidle, pretože nezaistená zosilnená detská autosedačka môže v ostrej zákrute, pri prudkom zastavení alebo náraze vyletieť a môže spôsobiť zranenia cestujúcich.

Do tejto zosilnenej detskej autosedačky **NEDÁVAJTE** nič okrem odporúčaných vnútorných vložiek.

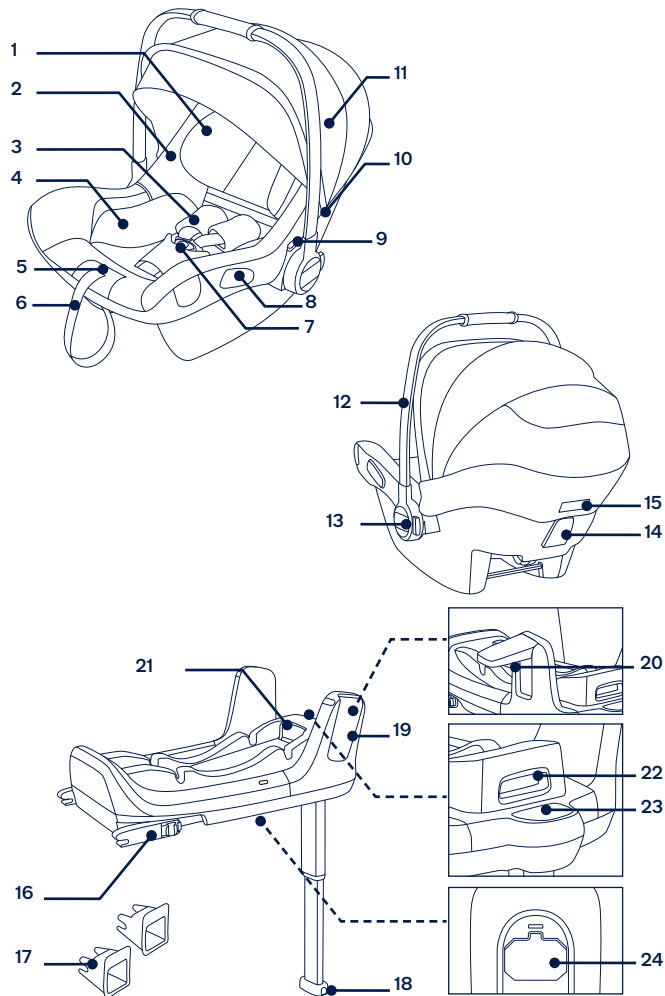
Pokyny sa musia uchovávať v zosilnenej detskej autosedačke po celú dobu jej životnosti.

Riadte sa tiež pokynmi a výstrahami v príručke výrobcu vozidla.

Zoznam jednotlivých častí

Pred zostavením skontrolujte, či máte všetky časti. Modul detskej sedačky a základňa sa môžu predávať samostatne. Ak chýba ktorákoľvek časť, obráťte sa na miestneho predajcu. Na zostavenie nie sú potrebné žiadne nástroje.

- | | | | |
|----|--------------------------------|----|---|
| 1 | Opierka hlavy | 14 | Zadná vodiaca lišta |
| 2 | Čalúnenie sedačky | 15 | Uvoľňovacie tlačidlo kočíka B |
| 3 | Remienky ramenných popruhov | 16 | Prípojka ISOFIX |
| 4 | Dojčenská vložka | 17 | Vodiace prvky ISOFIX |
| 5 | Nastavovacie tlačidlo popruhov | 18 | Nastavovacie tlačidlo opornej nohy |
| 6 | Nastavovací popruh | 19 | Bočný nárazový štít |
| 7 | Bezpečnostná spona | 20 | Tlačidlo na sklopenie štítu |
| 8 | Bočné vodiace lišty | 21 | Nastavovacie tlačidlo ISOFIX |
| 9 | Uvoľňovacie tlačidlo kočíka A | 22 | Uvoľňovacie tlačidlo modulu detskej sedačky |
| 10 | Držiak plátennej striešky | 23 | Indikátor opornej nohy |
| 11 | Plátenná strieška | 24 | Úložný priestor na Návod na použitie |
| 12 | Rukoväť | | |
| 13 | Tlačidlo rukoväte | | |



Používanie výrobku

Záležitosti ohľadne inštalácie

Tento modul detskej autosedačky je vhodný pre sedadlá vozidiel vybavené kotevnými bodmi i-Size ISOFIX so základňou. (1)

NEPOUŽÍVAJTE zosilnené detské zadržiavacie systémy smerujúce tvárou dozadu na miestach na sedenie, kde je nainštalovaný aktívny čelný airbag. Môže dôjsť k smrti alebo vážnemu zraneniu. (2) Viac informácií nájdete v návode na obsluhu vozidla.

NEINŠTALUJTE túto zosilnenú detskú autosedačku na sedadlá vozidla, ktoré smerujú do boku alebo dozadu vzhľadom na smer pohybu vozidla. (3)

Odporúča sa inštalovať túto zosilnenú detskú autosedačku na zadné sedadlo vozidla. (4)

NEINŠTALUJTE túto zosilnenú detskú autosedačku na sedadlá vozidla, ktoré sú počas inštalácie pohyblivé.

Nastavenie rukoväte

- 1 - Rukoväť modulu detskej sedačky možno nastaviť do 3 polôh. (5)
- 2 - Ak chcete nastaviť rukoväť, stlačte tlačidlá rukoväte na oboch stranách, aby ste ju uvoľnili. (6)-1
- 3 - Otočte rukoväť tak, aby zacvakla do jednej z 3 polôh. (6)-2

Inštalácia so základňou

- 1 - Rozložte opornú nohu z úložného priestoru. (7)
- 2 - Nasadte vodiace prvky ISOFIX do kotevných bodov ISOFIX. (8) Vodiace prvky ISOFIX môžu ochrániť povrch sedadla vozidla pred roztrhnutím. Môžu tiež viesť prípojky ISOFIX.
- 3 - Stlačením nastavovacieho tlačidla ISOFIX nastavte prípojky ISOFIX. (9)
- 4 - Zarovnajte prípojky ISOFIX s vodiacími prvkami ISOFIX a potom zacvaknite obe prípojky ISOFIX do kotevných bodov ISOFIX. (10)
 - ! Skontrolujte, či sú obe prípojky ISOFIX pevne pripojené k svojim kotevným bodom ISOFIX. Musia sa ozvať dve cvaknutia a farba indikátorov na oboch konektoroch ISOFIX musí byť úplne zelená. (10)-1
 - ! Skontrolujte, či je základňa bezpečne nainštalovaná potiahnutím oboch prípojok ISOFIX.

5 - Po umiestnení základne na sedadlo vozidla vyťahnite opornú nohu smerom nadol na podlahu (11). Keď indikátor opornej nohy zobrazí zelenú farbu, znamená to, že je nainštalovaná správne, červená znamená, že je nainštalovaná nesprávne. (11)-2

- ! Oporná noha má 19 polôh. Keď indikátor opornej nohy zobrazí červenú farbu, znamená to, že je oporná noha v nesprávnej polohe.
- ! Skontrolujte, či je oporná noha v plnom kontakte s podlahovým panelom vozidla.
- ! Ak chcete skrátiť opornú nohu, stlačte uvoľňovacie tlačidlo opornej nohy a potiahnite opornú nohu nahor. (11)-1 Úplne zostavená základňa je zobrazená na obrázku (12).
- ! Prípojky ISOFIX musia byť pripojené a zaistené na kotevných bodoch ISOFIX. (12)-1
- ! Oporná noha musí byť správne nainštalovaná so zelenou farbou indikátora. (12)-2

6 - Ak chcete vybrať základňu, stlačte pred jej vybratím zo sedadla vozidla najprv druhé zaistovacie tlačidlo (13)-1 a potom tlačidlo (13)-2 na prípojkách so západkami.

7 - Stlačením nastavovacieho tlačidla ISOFIX zložte ISOFIX.

8 - Zatláčte modul detskej autosedačky nadol do základne (14), ak bude zosilnená detská autosedačka zaistená, bočný nárazový štít bude otvorený a indikátor zosilnenej detskej autosedačky ukáže zelenú farbu. (15) Bočný nárazový štít, ktorý je ďalej od dverí, možno zatvoriť, ako je zobrazené na obrázku (16), keď sa nepoužíva.

! Potiahnite modul detskej autosedačky nahor, aby ste sa uistili, že je pevne zaistená v základni.

9 - Ak chcete modul detskej autosedačky uvoľniť, potiahnite zosilnenú detskú autosedačku nahor, pri súčasnom stlačení uvoľňovacieho tlačidla modulu detskej autosedačky. (17)

Nastavenie výšky

opierky hlavy a ramenných popruhov

Skontrolujte, či sú ramenné popruhy nastavené v správnej výške. Vyberte správny pár otvorov pre ramenné popruhy podľa výšky dieťaťa.

! Ramenné popruhy musia byť čo najbližšie k ramenám dieťaťa (18), ale nie nad úrovňou ramien. (19)

! Ak sa ramenné popruhy nenachádzajú v správnej výške, dieťa by mohlo byť vymrštené zo zdokonaleného detského zadrživacieho systému, keby došlo k havárii.

Potiahnite páčku na nastavenie opierky hlavy (20) a pritom vyťahnite alebo zatlačte opierku hlavy, kým nezapadne do jednej zo 7 polôh. Polohy opierky hlavy sú zobrazené na obr. (21)

Zaistenie dieťaťa

Použite dojčenskú vložku



Po tom, ako bolo dieťa umiestnené do sedačky, skontrolujte, či sú ramenné popruhy v správnej výške.

- 1 - Stlačte a podržte tlačidlo na nastavenie popruhov, zároveň úplne vyťahnite dva Ramenné popruhy zosilnenej detskej autosedačky. (22)
- 2 - Sponu popruhov odistite stlačením červeného tlačidla. (23)
- 3 - Vložte dieťa do modulu detskej sedačky a zaistite sponu. (25) Pozrite si (24).
- 4 - Ramenné popruhy dotiahnite potiahnutím za nastavovací popruh. (26)

! Skontrolujte, či je medzera medzi dieťaťom a ramennými popruhmi široká asi na hrúbku jednej ruky.

Textilná strieška

- 1 - Rozopnite zips na prednom oblúku plátennej striešky. (27)
- 2 - Vytiahnite clonu Dream Drape™ z plátennej striešky. (28)
- 3 - Pripevnite magnety v každom rohu k prednej časti modulu detskej sedačky pomocou magnetov. (29)
- 4 - Otvor plátennej striešky možno otvoriť na účely vetrania. (30)

Odpojenie a zostavenie mäkkých textílií

pozrite si obrázky (31) - (42)

Ak budete chcieť znova nasadiť mäkké textílie, postupujte podľa vyššie uvedených krokov v opačnom poradí.

Inštalácia bez základne

- 1 - **NEINŠTALUJTE** tento modul detskej sedačky na sedadlá vozidla s bedrovými pásmi. (43)
- 2 - Tento modul detskej sedačky je vhodný len pre sedadlá vozidiel s 3-bodovým navijacím bezpečnostným pásmom (bez základne). (44)
- 3 - Položte modul detskej sedačky na sedadlo vozidla v mieste, kde ho chcete dať. Vytiahnite bezpečnostný pás vozidla a zaistite ho do spony vozidla, pričom presuňte bedrový pás vozidla cez bočné vodiace lišty modulu detskej sedačky. (45)
 - ! Modul detskej sedačky sa nesmie používať, ak je spona bezpečnostného pásu vozidla (samici koniec spony) príliš dlhá na pevné ukotvenie modulu detskej sedačky. (45)-1
- 4 - Šikmý pás presuňte cez zadnú vodiacu lištu. (46)
- 5 - Ramenný pás vozidla potiahnite, aby ste modul detskej sedačky pritiahli tesne a pevne. (47)
- 6 - Pri inštalácii modulu detskej autosedačky musí byť vodorovná ryska na module detskej autosedačky vo vodorovnej polohe voči zemi. (48)
 - ! Čo najviac napnite bezpečnostný pás vozidla, pričom skontrolujte, či nie je príliš voľný alebo skrútený.
 - ! Po inštalácii modulu detskej autosedačky vždy skontrolujte, či sú pásy vozidla vedené správne a či sú bezpečne upevnené v sponě vozidla. (49)

Inštalácia v lietadle

- ! Veźmite do úvahy, že bezpečnosť dieťaťa sa pri nedodržíaní pokynov uvedených v návode na inštaláciu a použitie neďa zaručíť.
- ! Veźmite do úvahy, že inštalácia modulu detskej autosedačky na sedadle lietadla sa líši od inštalácie na sedadle vozidla.
- ! Veźmite do úvahy, že 2-bodové pripevnenie „bedrového pása“ je dovolené len v lietadle.
- ! Veźmite do úvahy, že modul detskej autosedačky musí zostať pripevnený pomocou bezpečnostného pásu na sedadle lietadla, aj keď sa v ňom nik nenachádza.
- ! Veźmite do úvahy, že modul detskej autosedačky je určený len na použitie na sedadle pre cestujúcich, ktorého použitie oprávnila príslušná letecká spoločnosť.
- ! Výstraha - nepoužívajte modul detskej autosedačky v priestore rozvinutia airbagu. (2)
- ! Veźmite do úvahy, že modul detskej autosedačky smerujúci tvárou dozadu by sa mal inštalovať len na sedadle pre cestujúcich smerujúcom tvárou dopredu. (50)

Spôsob inštalácie modulu detskej autosedačky pomocou bezpečnostného pásu sedadla lietadla:

- 1 - Umiestnite modul detskej autosedačky opačne oproti smeru letu na sedadlo pre cestujúcich.
 - 2 - Zabezpečte, aby bola prenášacia rukoväť v najvyššej polohe.
 - 3 - Umiestnite bezpečnostný pás do oboch vodiacich prvkov pásu.
 - 4 - Zatvorte bezpečnostný pás (postupujte podľa bezpečnostných pokynov leteckej spoločnosti).
 - 5 - Dotiahnite bezpečnostný pás potiahnutím za jeho koniec. (51)
- ! Spona bezpečnostného pásu nesmie za žiadnych okolností ležať v tmavo zelených vodiacich prvkoch pásu. (52)

Odstránenie:

Rozopnite bezpečnostný pás sedadla pre cestujúcich (postupujte podľa bezpečnostných pokynov leteckej spoločnosti). Teraz môžete vybrať modul detskej autosedačky zo sedadla pre cestujúcich.

Čistenie a údržba

Očistite rám, plastové časti a textil vlhkou handričkou, ale nepoužívajte brúsne čistiace prostriedky ani bieliadlo. Nepoužívajte silikónové mazivá, pretože viažu na seba nečistoty a špinu.

Aby ste zaistili dlhodobé používanie, po použití v daždivom počasí utrite tento výrobok mäkkou absorpčnou handričkou.

Pozrite si štítky s návodom na ošetrovanie, ktoré sú pripevnené k mäkkým textíliám, a kde sú uvedené pokyny na umývanie a sušenie.

Je normálne, že sa farba textilu zmení pôsobením slnečného žiarenia a po dlhom používaní bude vykazovať opotrebovanie aj pri normálnom používaní.

Z bezpečnostných dôvodov používajte len originálne diely od spoločnosti Nuna.

Pravidelne kontrolujte, či všetko funguje ako má. Ak sú ktorékoľvek časti roztrhnuté, zlomené alebo chýbajú, prestaňte tento výrobok používať.

VAŽNO!
SAČUVAJTE OVE
UPUTE ZA BUDUĆU
UPORABU:
PAŽLJIVO PROČITAJTE

Sadržaj

Podaci o proizvodu	163
Registracija proizvoda	
Jamstvo	
Kontakt	
Uvjeti za upotrebu	164
Za upotrebu s bazom i bez baze	165
Upozorenje	166
Popis dijelova	169
Upotreba proizvoda	171
Čišćenje i održavanje	176

Podaci o proizvodu

Broj modela: _____

Datum proizvodnje: _____

Registracija proizvoda

Ispunite gore navedene podatke. Broj modela i datum proizvodnje nalazi se na dnu PIPA next i PIPA next baze.

Za registraciju proizvoda posjetite:

www.nunababy.com

Kliknite na vezu "Registracija opreme" na početnoj stranici.

Jamstvo

Osmislili smo i proizveli naše proizvode visoke kvalitete kako bi mogli rasti s vašim djetetom i obitelji. Budući da stojimo iza našeg proizvoda, naša je oprema pokrivena jamstvom za proizvod, počevši od dana kupnje. Prije no što nas kontaktirate pripremite dokaz o kupnji, broj modela i datum proizvodnje.

Za informacije o jamstvu posjetite:

www.nunababy.com

Kliknite na vezu "Jamstvo" na početnoj stranici.

Kontakt

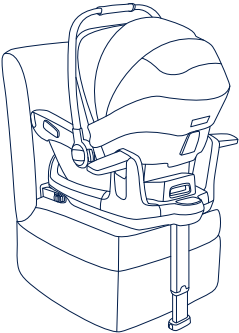
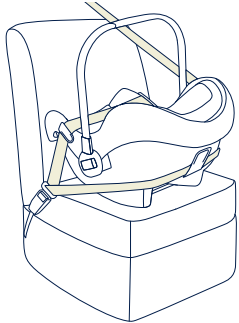
Za zamjenske dijelove, servis ili moguća pitanja u svezi jamstva kontaktirajte našu službu za korisnike.

info@nunababy.com

www.nunababy.com

Uvjeti za upotrebu

Ovaj proizvod prikladan je za djecu koja su sljedećih mjera:

Prikaz postavljanja	Prikladno za
	<p>Visina djeteta 40 cm - 83 cm / težina djeteta ≤ 13 kg (dijete staro približno 15 mjeseci ili manje)</p>
	<p>Visina djeteta 40 cm - 83 cm / Težina djeteta ≤ 13 kg Dob djeteta ≤ 15 mjeseci</p>

Za upotrebu s bazom i bez baze

- 1 - „i-Size“ (Integral Universal ISOFIX Enhanced Child Restraint Systems = cjelovita univerzalna ISOFIX napredna dječja autosjedalica) je kategorija naprednog sigurnosnog sustava za dijete koji se koristi u svim i-Size sjedećim položajima u vozilu.
- 2 - Prema UN propisu br. 129 napredna dječja autosjedalica s bazom je univerzalni ISO napredni sigurnosni sustav za dijete i mora se postaviti uporabom ISOFIX priključaka.
- 3 - Ovo je „i-Size“ napredna dječja autosjedalica. Sustav je odobren prema UN propisu br. 129 za uporabu u i-Size kompatibilnim sjedećim položajima u vozilu kako su naveli proizvođači vozila u odgovarajućem korisničkom priručniku vozila.
- 4 - Ovo je univerzalna, sigurnosnim pojasevima pričvršćena napredna dječja autosjedalica. Odobrena je prema UN propisu br. 129 za uporabu prvenstveno u „univerzalnim sjedećim položajima“ kako su naveli proizvođači vozila u odgovarajućem korisničkom priručniku vozila.
- 5 - U slučaju nedoumice provjerite kod proizvođača ili prodavača napredne dječje autosjedalice.
- 6 - PIPA next dječja autosjedalica je kompatibilna s:
 - PIPA next base
 - ARRA base
 - BASE next

Za ugradnju ARRA base pogledajte ARRA priručnik s uputama.

Za ugradnju BASE next pogledajte BASE next priručnik s uputama.

! UPOZORENJE

Nepoštivanje ovih upozorenja i uputa može predstavljati opasnost od ozbiljnih ozljeda sa smrtnim ishodom.

Sve trake za pričvršćivanje modula nosiljke za bebu u vozilu moraju biti zategnute, potporni nogar mora biti u kontaktu s podom u vozilu, a trake sigurnosnog pojasa moraju biti namještene prema veličini djeteta. Trake ne smije biti uvijene.

Nakon stavljanja djeteta u ovu naprednu dječju autosjedalicu potrebno je pravilno koristiti sigurnosni pojas.

Sva prtljaga ili drugi predmeti koji bi mogli prouzročiti ozljede u slučaju sudara moraju biti pravilno pričvršćeni.

Provjerite je li napredna dječja autosjedalica ugrađena tako da niti jedan njezin dio ne smeta pomičnim sjedalima ili korištenju vrata na vozilu.

Prije nošenja modula nosiljke za bebu u ruci provjerite je li dijete pričvršćeno sigurnosnim pojasevima i je li ručka pravilna blokirana u okomitom položaju.

Savjetujte se s dobavljačem u svezi održavanja, popravaka i zamjene dijelova.

Pravilno postavljanje je isključivo uz uporabu ISOFIX priključaka.

Često provjeravajte jesu li ISOFIX vodilice prljave i prema potrebi ih očistite. Pouzdanost može biti smanjena ako postoji prljavština, prašina, čestice hrane i sl.

Prije kupovine ove napredne dječje autosjedalice provjerite može li se pravilno postaviti u vaše vozilo.

Ovunaprednu dječju autosjedalicu bez tekstilnog pokrova držite dalje od izravnog sunčevog zračenja jer može biti prevruća za osjetljivu dječju kožu. Uvijek dodirnite naprednu dječju autosjedalicu prije no što u nju stavite dijete.

Za korištenje ove napredne dječje autosjedalice s ISOFIX priključcima u skladu s UN propisom br. 129 dijete mora imati sljedeće mjere.

Veličina djeteta 40 cm - 83 cm / težina djeteta ≤ 13 kg (približno 15 mjeseci ili manje).

Za korištenje ovog modula nosiljke za bebu sa sigurnosnim pojasom vozila, dijete mora imati sljedeće mjere.

Težina djeteta ≤ 13 kg / dob djeteta ≤ 15 mjeseci.

Obloge i meki dijelovi napredne dječje autosjedalice smiju se zamijeniti isključivo onima koje preporučuje proizvođač jer su i ti dijelovi bitni za učinkovitost sigurnosnog sustava za dijete.

Kako biste spriječili opasnost od ispadanja dijete uvijek pričvrstite opremom za pričvršćivanje u modulu nosiljke za bebu, čak i ako se napredna dječja autosjedalica ne nalazi u vozilu.

Kako bi se spriječile ozbiljne ozljede ili smrt **NIKAD** ne stavljajte modul nosiljke za bebu na podignutu površinu sjedala dok se beba nalazi u nosiljci.

Dijelovi napredne dječje autosjedalice ne smiju se ni na koji način podmazivati.

Uklonite modul nosiljke za bebu i bazu sa sjedala u vozilu ako se redovito ne koriste.

UVIJEK pričvrstite dijete u naprednoj dječjoj autosjedalici čak i na kratkim relacijama jer tada se događa većina nesreća.

NIKAD NE ostavljajte dijete bez nadzora u ovoj naprednoj dječjoj autosjedalici.

NIKAD NE koristite naprednu dječju autosjedalicu iz druge ruke ili onu za koju ne znate kako se koristila jer može imati strukturna oštećenja koja ugrožavaju djetetovu sigurnost.

NIKAD NE koristite užad ili druge zamjene za pričvršćivanje napredne dječje autosjedalice u vozilo ili za učvršćivanje djeteta u njoj.

NITI najnaprednija dječja autosjedalica ne može jamčiti potpunu zaštitu od ozljeda u automobilskoj nesreći. No, pravilna uporaba ove napredne dječje autosjedalice smanjit će rizik od ozbiljnih ozljeda ili smrti djeteta.

NE KORISTITE naprednu dječju autosjedalicu okrenutu obrnuto od smjera vožnje ako je aktiviran prednji zračni jastuk. Moguće su ozbiljne ozljede ili smrt. Za više informacija pogledajte korisnički priručnik vozila.

NE STAVLJAJTE nikakve predmete u područje potpornog nogara ispred baze dječje autosjedalice.

NIKAD ne koristite druge kontaktne točke za opterećenje i nošenje osim onih navedenih u uputama i označenih na autosjedalici bez naslona.

NE KORISTITE naprednu dječju autosjedalicu ako je bila u bilo kakvoj vrsti sudara, makar i najmanjeg. Odmah je zamijenite jer mogu postojati nevidljiva strukturna oštećenja zbog sudara.

NE POSTAVLJAJTE ovu naprednu dječju autosjedalicu ako se nećete strogo pridržavati uputa u ovom priručniku jer time svoje dijete možete dovesti u ozbiljnu opasnost od ozljeda i smrti.

NE VRŠITE nikakve preinake ove napredne dječje autosjedalice niti je ne koristite zajedno s dijelovima drugih proizvođača.

NIKAD NE koristite naprednu dječju autosjedalicu bez njezinih mekih dijelova.

NE KORISTITE ovu naprednu dječju autosjedalicu ako je oštećena ili joj nedostaju dijelovi.

NE ODIJEVAJTE djetetu odjeću koja je za njega prevelika jer to može onemogućiti pravilno pritezanje opreme za učvršćivanje ramena i pričvrsnog remena između nogu.

NE OSTAVLJAJTE ovu naprednu dječju autosjedalicu ili druge dijelove nezavezanima ili neučvršćenima u vozilu jer takva nepričvršćena oprema može izletjeti i ozlijediti putnike u oštrim zavojima, naglim zaustavljanjima ili tijekom sudara.

NE STAVLJAJTE ništa u naprednu dječju autosjedalicu osim preporučenih unutarnjih jastuka.

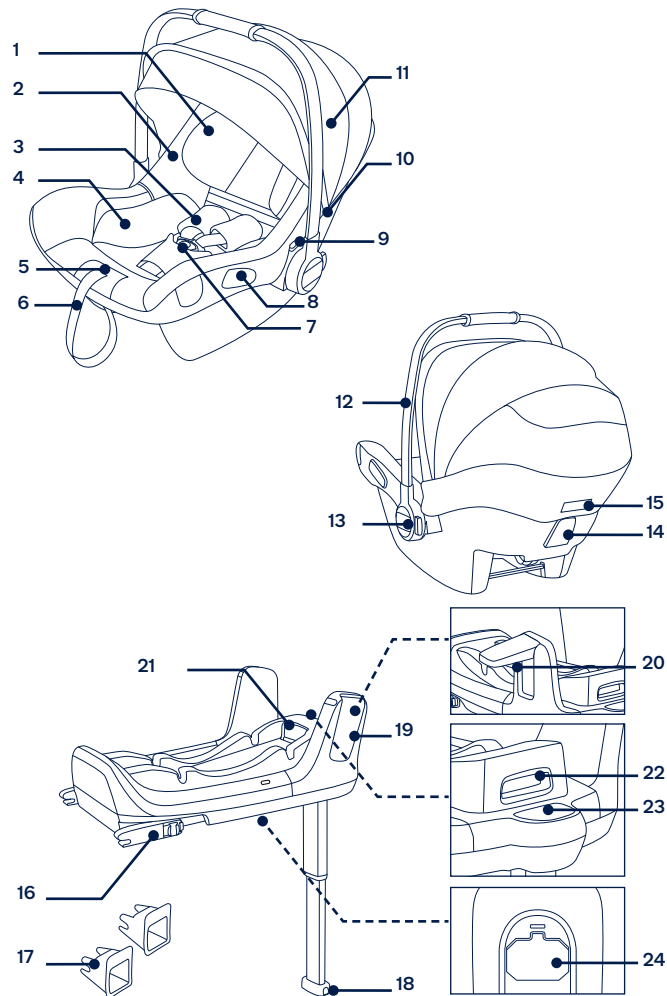
Upute treba čuvati tijekom cijelog vijeka korištenja napredne dječje autosjedalice.

Također obratite pažnju na upute i upozorenja u priručniku proizvođača vozila.

Popis dijelova

Prije sklapanja provjerite jesu li raspoloživi svi dijelovi. Modul nosiljke za bebu i baza prodaju se zasebno. Ako bilo koji dio nedostaje obratite se lokalnom prodavaču. Za sklapanje nije potreban alat.

- | | | | |
|----|--|----|--|
| 1 | Oslonac za glavu | 14 | Stražnja vodilica |
| 2 | Jastuk sjedalice | 15 | Gumb za oslobađanje kolica B |
| 3 | Trake ramenog pojasa | 16 | ISOFIX priključak |
| 4 | Umetak za bebu | 17 | ISOFIX vodilice |
| 5 | Gumb za podešavanje sigurnosnih pojaseva | 18 | Gumb za podešavanje potpornog nogara |
| 6 | Trake za podešavanje | 19 | Bočni štitić od udaraca |
| 7 | Kopča sigurnosnog pojasa | 20 | Gumb za preklapanje štitića natrag |
| 8 | Bočne vodilice | 21 | ISOFIX gumb za podešavanje |
| 9 | Gumb za oslobađanje kolica A | 22 | Gumb za oslobađanje nosiljke za bebe |
| 10 | Držač za postavljanje krovića | 23 | Indikator potpornog nogara |
| 11 | Krović | 24 | Odjeljak za pohranu priručnika s uputama |
| 12 | Ručka | | |
| 13 | Gumb ručke | | |



Upotreba proizvoda

O čemu voditi računa prilikom postavljanja

Ovaj modul nosiljke za bebu je prikladan za sjedala u vozilu s i-Size ISOFIX točkama učvršćivanja s bazom. (1)

NE KORISTITE naprednu dječju autosjedalicu okrenutu obrnuto od smjera vožnje ako je aktiviran prednji zračni jastuk. Moguće su ozbiljne ozljede ili smrt. (2) Za više informacija pogledajte korisnički priručnik vozila.

NE POSTAVLJAJTE ovu naprednu dječju autosjedalicu na sjedala u vozilu koja su okrenuta bočno ili prema stražnjem dijelu suprotno od smjera kretanja vozila. (3)

Preporučuje se postaviti ovu naprednu dječju autosjedalicu na stražnje sjedalo u vozilu. (4)

NE postavljajte ovu naprednu dječju autosjedalicu na vozila koja se prilikom postavljanja pomiču.

Namještanje ručke

- 1 - Ručka modula nosiljke za bebu može se namjestiti u 3 položaja. (5)
- 2 - Prije podešavanja ručke stisnite gumb sa svake strane ručke kako biste je oslobodili. (6)-1
- 3 - Pomičite ručku dok ne škljocne u jedan od 3 položaja. (6)-2

Postavljanje s bazom

- 1 - Rasklopite potporni nogar iz odjeljka spremišta. (7)
 - 2 - Umetnite ISOFIX vodilice s ISOFIX točkama sidrenja. (8) ISOFIX vodilice štite površinu sjedala vozila kako se ne bi poderala. One mogu voditi i ISOFIX priključke.
 - 3 - Pritisnite ISOFIX gumb za podešavanje kako biste namjestili ISOFIX priključke. (9)
 - 4 - Poravnajte ISOFIX priključke s ISOFIX vodilicama, a zatim umetnite oba ISOFIX priključka u ISOFIX točke sidrenja dok ne škljocne. (10)
- ! Provjerite jesu li oba ISOFIX priključka sigurno pričvršćena na odgovarajuće ISOFIX točke sidrenja. Trebaju se čuti dva škljocanja i indikatori na oba ISOFIX priključka moraju biti u cijelosti zeleni. (10)-1
- ! Provjerite je li baza sigurno postavljena povlačenjem oba ISOFIX priključka.

5 - Nakon postavljanja baze na sjedalo vozila produžite potporni nogar do poda (11). Kad je indikator potpornog nogara zelene boje, to znači da je nogar pravilno postavljen, a ako je crvene boje nogar je nepravilno postavljen. (11)-2

- ! Potporni nogar ima 19 položaja. Kad je indikator potpornog nogara crvene boje, to znači da je nogar na pogrešnom položaju.
- ! Provjerite je li potporni nogar u potpunom kontaktu s podnom pločom vozila.
- ! Ako želite skratiti potporni nogar, stisnite gumb za oslobađanje potpornog nogara i povucite ga prema gore. (11)-1
Potpuno sklopljena baza prikazana je kao (12).
- ! ISOFIX priključci moraju biti sklopljeni i blokirani u ISOFIX sidrenim točkama. (12)-1
- ! Potporni nogar mora biti pravilno postavljen sa zelenim indikatorom. (12)-2

6 - Za uklanjanje baze, najprije pritisnite drugi gumb za blokadu (13)-1, a zatim gumb za oslobađanje (13)-2 na priključcima zaponca prije uklanjanje baze sa sjedala vozila.

7 - Pritisnite ISOFIX gumb za podešavanje za namještanje ISOFIX priključka.

8 - Gurnite modul nosiljke za bebu u bazu (14), ako je napredna dječja autosjedalica sa sigurnosnim sustavom za dijete sada sigurna, bočni štitičnik od udaraca će biti otvoren i indikator napredne dječje autosjedalice bit će zelene boje. (15) Bočni štitičnik od udaraca koji je uvijek okrenut prema vratima vozila može se zatvoriti dok se ne koristi kako je prikazano na (16).

! Povucite prema gore modul nosiljke za bebu kako biste bili sigurni da je sigurno učvršćena na bazi.

9 - Za oslobađanje modula nosiljke za bebu, povucite prema gore naprednu dječju autosjedalicu dok stiskate gumb za oslobađanje modula nosiljke za djecu. (17)

Podešavanje visine

naslona za glavu i sigurnosnih pojasa za ramena

Provjerite jesu li trake sigurnosnih pojasa za ramena postavljene na pravilnu visinu. Odaberite odgovarajući par otvora za provlačenje sigurnosnih pojasa za ramena prema djetetovoj veličini.

! Trake sigurnosnih pojasa za ramena moraju biti sasvim blizu djetetovima ramenima (18), a ne iznad ravnine ramena. (19)

! Ako trake sigurnosnih pojasa za ramena nisu na pravilnoj visini, dijete u slučaju sudara može biti izbačeno iz autosjedalice.

Povucite ručicu za podešavanje naslona za glavu (20) istodobno povlačeći naslon za glavu prema gore ili gurajući ga prema dolje dok ne škljocne i smjesti se u jedan od 7 položaja. Položaji naslona za glavu prikazani su na slici (21).

Pričvršćivanje djeteta

Upotreba umetka za bebu



Nakon što stavite dijete u sjedalicu provjerite jesu li trake sigurnosnih pojasa za ramena na pravilnoj visini.

- 1 - Dok pritišćete gumb za podešavanje sigurnosnih pojasa izvucite do kraja dvije trake sigurnosnih pojasa za ramena na naprednoj dječjoj autosjedalici. (22)
 - 2 - Otkopčajte kopču sigurnosnih pojasa pritiskom na crveni gumb na kopči. (23)
 - 3 - Stavite dijete u modul nosiljke za bebu i zakopčajte kopču. (25)
Pogledajte (24).
 - 4 - Zategnite trake sigurnosnih pojasa za ramena povlačenjem traka za podešavanje. (26)
- ! Razmak između djeteta i traka sigurnosnih pojasa za ramena mora biti približno debljine prstiju jedne ruke.

Krović

- 1 - Otkopčajte patentni zatvarač na prednjem dijelu luka krovića. (27)
- 2 - Povucite dream drape™ sjenilo za spavanje iz krovića. (28)
- 3 - Pričvrstite magnete na oba kuta prednjeg dijela modula nosiljke za bebu pomoću magneta. (29)
- 4 - Prozorčić na kroviću može se otvoriti radi boljeg prozračivanja. (30)

Skidanje i postavljanje obloga i mekih dijelova

pogledajte slike (31)-(42)

Za ponovno umetanje obloga i mekih dijelova, postupke vršite obrnutim redoslijedom.

Postavljanje bez baze

- 1 - **NE POSTAVLJAJTE** ovaj modul nosiljke za bebu na sjedalo u vozilu sa sigurnosnim pojasom za bokove. (43)
 - 2 - Ovaj modul nosiljke za bebu je prikladna samo za sjedala sa sigurnosnim pojasom na uvlačenje u 3 točke (bez baze). (44)
 - 3 - Stavite modul nosiljke za bebu na sjedalo vozila gdje ga želite učvrstiti. Povucite sigurnosni pojas sjedala i zakopčajte u kopču na vozilu ključni pojas za bokove kroz bočne vodilice modula nosiljke za bebu. (45)
- ! Modul nosiljke za bebu ne smije se koristiti ako je kopča sigurnosnog pojasa u vozilu (ženski kraj kopče) preduga za sigurno pričvršćivanje modula nosiljke za bebu. (45)-1
- 4 - Kličite dijagonalni sigurnosni pojas u stražnju vodilicu. (46)
 - 5 - Izvucite sigurnosni pojas za ramena na vozilu kako biste sigurno i čvrsto pričvrstili modul nosiljke za bebu. (47)
 - 6 - Crta za poravnanje na modulu nosiljke za bebe mora biti paralelna s tlom nakon postavljanja modula nosiljke za bebe. (48)
- ! Čim više zategnete sigurnosni pojas vozila i provjerite kako nije opušten ili zavrnut.
- ! Nakon postavljanja modula nosiljke za bebe uvijek provjerite jesu li sigurnosni pojasi vozila pravilno provedeni i sigurno zategnuti u kopči za sigurnosne pojase vozila. (49)

Postavljanje u zrakoplovu

- ! Ne može se jamčiti sigurnost djeteta ako se ne pridržavate uputa za postavljanje i priručnika s uputama.
- ! Primijetite da se postavljanje modula nosiljke za bebe na sjedalo u zrakoplovu razlikuje od postavljanja na sjedalo u automobilu.
- ! Primijetite da je pričvršćivanje pojasaom za bokove učvršćenim u 2 točke dozvoljeno samo i isključivo u zrakoplovu.
- ! Primijetite da modul nosiljke za bebe mora biti pričvršćen sigurnosnim pojasiima na sjedalu u zrakoplovu čak i kad beba nije u njemu.
- ! Primijetite da jomodul nosiljke za bebe dozvoljeno koristiti isključivo na onom sjedalu za putnike koje dozvoljava zrakoplovni prijevoznik.
- ! Posebno upozorenje: modul nosiljke za bebe ne smije se koristiti u području u kojem je moguće aktiviranje zračnog jastuka. **(2)**
- ! Primijetite da se modul nosiljke za bebe smije postaviti isključivo na putničko sjedalo usmjerenu prema naprijed u smjeru leta. **(50)**

Kako postaviti modul nosiljke za bebe pomoću sigurnosnog pojasa sjedala u zrakoplovu:

- 1 - Stavite modul nosiljke za bebe na putničko sjedalo u smjeru obrnutom od smjera leta.
 - 2 - Ručka za nošenje mora biti u najgornjem položaju.
 - 3 - Stavite sigurnosni pojas na obje vodilice sigurnosnog pojasa.
 - 4 - Zakopčajte sigurnosni pojas (pogledajte upute o sigurnosti koje izdaje zrakoplovni prijevoznik).
 - 5 - Zategnite sigurnosni pojas povlačenjem njegovog kraja. **(51)**
- ! Kopča sigurnosnog pojasa ni u kom slučaju ne smije ležati unutar tamnozelenih vodilica pojasa. **(52)**

Skidanje:

Otvorite sigurnosni pojas putničkog sjedala (pogledajte upute o sigurnosti koje izdaje zrakoplovni prijevoznik). Sada možete podignuti modul nosiljke za bebe s putničkog sjedala.

Čišćenje i održavanje

Očistite okvir, plastične dijelove i tkaninu vlažnom krpom, ali nemojte koristiti abrazivna sredstva ili izbjeljivač. Ne koristite silikonska sredstva za podmazivanje jer će privlačiti prljavštinu i prašinu.

Kako biste osigurali dugotrajnu uporabu ovog proizvoda, nakon korištenja po kišnom vremenu obrišite ga mekanom, upijajućom krpom.

Pogledajte upute za pranje i sušenje na naljepnicama pričvršćenim na obloge.

Normalno je da nakon duljeg normalnog korištenja tkanina promijeni boju zbog sunčeve svjetlosti te da pokazuje znakova trošenja i habanja.

Radi sigurnosti koristite isključivo originalne Nuna dijelove.

Redovito provjeravajte djeluje li sve pravilno. Ako je bilo koji dio istrošen, slomljen ili nedostaje prestanite koristiti ovaj proizvod.

POMEMBNO!
NAVODILA SHRANITE
ZA POZNEJŠO
UPORABO:
NATANČNO PREBERITE

Vsebina

Informacije o izdelku	179
Registracija izdelka	
Garancija	
Stik	
Zahteve pri uporabi za otroke	180
Za uporabo s podnožjem in brez podnožja	181
Opozorilo	182
Seznam delov	185
Uporaba izdelka	187
Čiščenje in vzdrževanje	192

Informacije o izdelku

Številka modela: _____

Datum izdelave: _____

Registracija izdelka

Izpolnite zgornje podatke. Številko modela in datum izdelave najdete na spodnji strani izdelka PIPA next ter podnožja PIPA next.

Za registracijo izdelka obiščite spletno mesto:

www.nunababy.com.

Na začetni strani kliknite povezavo »Registriraj opremo«.

Garancija

Naše visokokakovostne izdelke smo oblikovali z namenom, da lahko rastejo skupaj z vašim otrokom in vašo družino. Ker zagotavljamo kakovost naših izdelkov, krije našo opremo od dneva nakupa garancija, ki je narejena po meri za vsak izdelek. Ko stopite v stik z nami, imejte pri roki potrdilo o nakupu, številko modela in datum izdelave.

Podatke o garanciji najdete na:

www.nunababy.com

Na začetni strani kliknite povezavo »Garancija«.

Stik

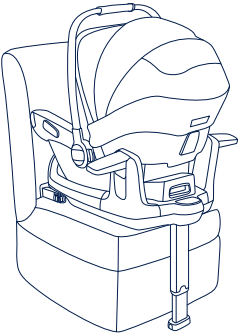
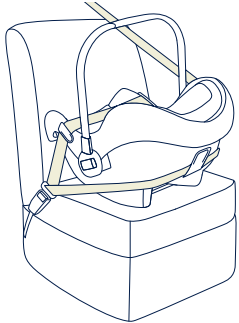
Za vprašanja o nadomestnih delih, servisu in dodatnih vprašanjih o garanciji stopite v stik z oddelkom za stike s strankami.

info@nunababy.com

www.nunababy.com

Zahteve pri uporabi za otroke

Ta izdelek je primeren za uporabo z otroki, ki izpolnjujejo naslednje zahteve:

Slika za namestitvev	Primerno za
	Višina otroka 40–83 cm /teža otroka ≤13 kg (stari približno 15 mesecev ali manj)
	Višina otroka 40–83 cm /Teža otroka ≤13 kg Starost otroka ≤15 mesecev

Za uporabo s podnožjem in brez podnožja

- 1- »i-Size« (integralni univerzalni izboljšani sistemi za zadrževanje otrok ISOFIX) je kategorija izboljšanega sistema za zadrževanje otrok, namenjena predvsem uporabi na vseh sedežih i-Size v vozilu.
 - 2- V skladu s Pravilnikom ZN št. 129 je izboljšani sistem za zadrževanje otrok s podnožjem univerzalni izboljšani sistem za zadrževanje otrok ISOFIX in ga je treba pritrditi s priključki ISOFIX.
 - 3- To je izboljšani sistem za zadrževanje otrok »i-Size«. V skladu s Pravilnikom ZN št. 129 je homologiran za uporabo na sedežih vozila, za katera proizvajalec vozila v navodilih za uporabo vozila navaja, da so združljivi s standardom i-Size.
 - 4- To je univerzalen izboljšani sistem za zadrževanje otrok s pasom. Odobren je v skladu s predpisom ZN št. 129 za primarno uporabo na »univerzalnih sedežih«, kot to označijo proizvajalci vozila v uporabniškem priročniku vozila.
 - 5- Če ste v dvomih, se obrnite na proizvajalca ali prodajalca izboljšanega sistema za zadrževanje otrok.
 - 6- Sistem za zadrževanje otrok PIPA next je združljiv:
 - s PIPA next base
 - s ARRA base
 - s BASE next
- Za namestitvev podnožja ARRA glejte navodila za izdelek ARRA base.
- Za namestitvev podnožja BASE next glejte navodila za izdelek BASE next.

⚠ OPOZORILO

Neupoštevanje teh opozoril in navodil za sestavo lahko povzroči resne poškodbe ali smrt.

Vsi trakovi, ki pritrjujejo nosilo za otroka na vozilo, morajo biti napeti tako, oporna noga mora biti v stiku s tlemi vozila, pasovi za zadrževanje otroka pa morajo biti prilagojeni otrokovemu telesu. Pasovi ne smejo biti zviti.

Ko otroka položite v izboljšani sistem za zadrževanje, morate pravilno namestiti varnostni pas.

Prtljago ali druge predmete, ki bi v primeru trčenja lahko povzročili poškodbe, morate ustrezno zavarovati.

Izboljšani sistem za zadrževanje otrok namestite tako, da noben njegov del ne ovira premikanja sedežev ali odpiranja in zapiranja vrat vozila.

Preden nosilo za otroka dvignete, zagotovite, da je otrok pripet z otroškim varnostnim pasom in da je ročaj pravilno zaklenjen v navpičnem položaju.

Glede vzdrževanja, popravila in zamenjave delov se posvetujte z distributerjem.

Pravilna namestitvev je dovoljena samo s priključki ISOFIX.

Vodila ISOFIX redno preverjajte za umazanijo in jih po potrebi očistite. Zanesljivost se lahko zmanjša z vdorom umazanije, prahu, delcev hrane itd.

Pred nakupom tega izboljšanega sistema za zadrževanje otrok preverite, ali ga lahko ustrezno namestite v vozilo.

Izboljšanega sistema za zadrževanje otrok brez tekstilne prevleke ne izpostavljajte sončni svetlobi, ker se lahko preveč segreje in postane prevroč za otrokovo kožo. Vedno z roko preverite temperaturo izboljšanega sistema za zadrževanje otrok, preden vanj namestite otroka.

Za uporabo izboljšanega sistema za zadrževanje otrok s priključki ISOFIX v skladu s predpisom ZN št. 129 mora vaš otrok izpolnjevati naslednje zahteve.

Višina otroka 40–83 cm/teža otroka ≤13 kg (približno 15 mesecev ali mlajši).

Za uporabo tega nosila za otroka z varnostnim pasom v vozilu mora otrok izpolnjevati naslednje zahteve.

Teža otroka ≤13 kg/starost otroka ≤15 mesecev.

Uporabljajte samo mehke izdelke izboljšanega sistema za zadrževanje, ki jih je priporočil proizvajalec, saj so sestavni del funkcionalnosti izboljšanega sistema za zadrževanje otrok.

Otroka pri namestitvi v nosilo vedno pripnite z otroškim varnostnim pasom, tudi če izboljšanega sistema za zadrževanje otrok ni v vozilu, ter tako preprečite, da bi padel iz njega.

Da preprečite hude poškodbe ali smrt, nosila za otroka **NIKOLI** ne odlagajte na visoke površine, ko je otrok v njem.

Delov izboljšanega sistema za zadrževanje otrok z ničemer ne mažite.

Če nosila za otroka dalj časa en boste uporabljali, ga skupaj s podnožjem odstranite s sedeža vozila.

Otroka v izboljšanem sistemu za zadrževanje otrok **VEDNO** privežite z varnostnim pasom, tudi če gre za kratko vožnjo, saj so prav na teh nezgode najbolj pogoste.

Otroka **NIKOLI** ne pustite v izboljšanem sistemu za zadrževanje otrok brez nadzora.

NIKOLI ne uporabljajte izboljšanega sistema za zadrževanje otrok iz druge roke ali z neznanim poreklom, ker ima lahko konstrukcijske poškodbe, ki ogrožajo otrokovo varnost.

Za pritrditev izboljšanega sistema za zadrževanje otrok v vozilo ali namestitvev otroka v izboljšani sistem za zadrževanje otrok **NIKOLI** ne uporabljajte vrvi ali drugih nadomestkov.

Izboljšani sistem za zadrževanje otrok **NE** zagotavlja popolne zaščite pred poškodbami v primeru nezgode. Vendar se s pravilno uporabo izboljšanega sistema za zadrževanje otrok zmanjša nevarnost hudih poškodb ali smrti otroka.

V primeru nazaj obrnjenih sistemov za zadrževanje otrok **NE** uporabljate sistema na sedežnih prostorih, ki so opremljeni z aktivno čelno zračno blazino. Povzročite lahko hude poškodbe ali smrt. Za več informacij glejte navodila za uporabo vozila.

Na predel podporne noge pred podnožjem **NE** postavljajte nobenih predmetov.

VEDNO uporabljajte le nosilne kontaktne točke, opisane v navodilih in označene na izboljšanem sistemu za zadrževanje otrok.

Izboljšanega sistema za zadrževanje otrok **NE** uporabljajte, če je bil izpostavljen kakršni koli nezgodi, tudi manjši. Sistem takoj zamenjajte, saj je nezgoda lahko povzročila konstrukcijsko poškodbo, ki morda ni vidna.

Izboljšanega sistema za zadrževanje otrok **NE** nameščajte brez upoštevanja teh navodil, sicer lahko resno ogrozite otrokovo varnost, kar lahko povzroči hude poškodbe ali smrt.

Izboljšanega sistema za zadrževanje otrok **NE** spreminjajte in ne uporabljajte s sestavnimi deli drugih proizvajalcev.

Izboljšanega sistema za zadrževanje otrok **NE** uporabljajte brez mehkih delov.

Izboljšanega sistema za zadrževanje otrok **NE** uporabljajte, če kateri del manjka ali je poškodovan.

Otrok naj **NE** nosi (pre)velikih oblačil, sicer ga trakovi ramenskega varnostnega pasu in mednožni trak morda ne bodo pravilno in varno držali.

Izboljšanega sistema za zadrževanje otrok in drugih predmetov v vozilu **NE** puščajte nepripetih ali nepritrjenih, ker bi se nepritrjeni izboljšani sistem za zadrževanje otrok med vožnjo skozi oster ovinek, ob nenadni zaustavitvi vozila ali trka lahko premetaval in poškodoval potnike.

Z izboljšanim sistemom za zadrževanje otrok **NE** uporabljajte notranjega oblažinjena, ki ga ni priporočil proizvajalec.

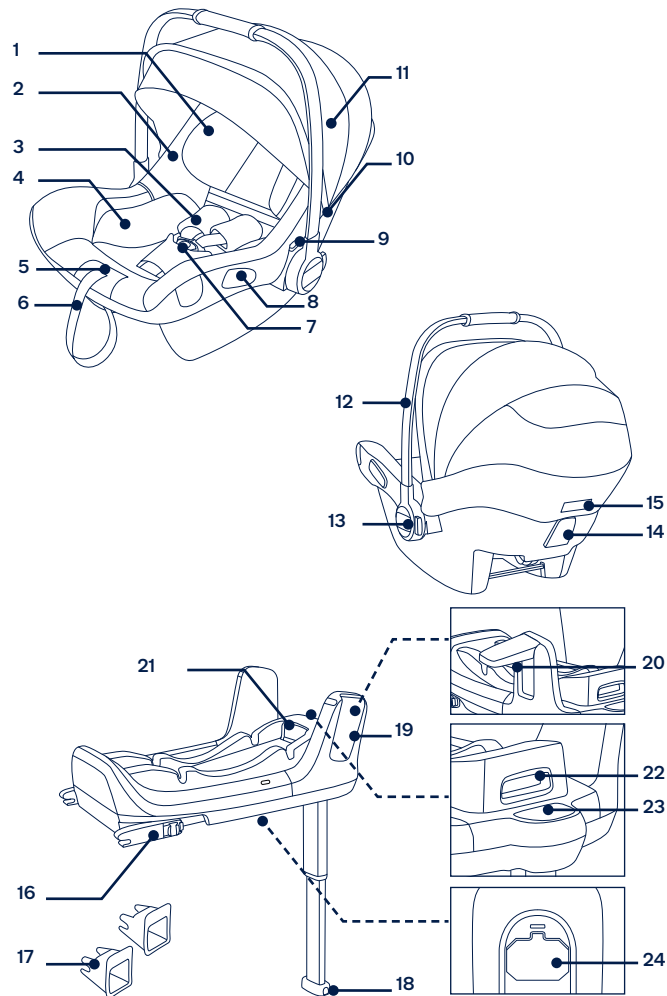
Navodila morate obdržati na izboljšanemu sistemu za zadrževanje otrok do konca njegove življenjske dobe.

Prav tako bodite pozorni na navodila in opozorila v priročniku proizvajalca vozila.

Seznam delov

Prepričajte se, da imate pred namestitvijo na voljo vse dele. Modul in podnožje za prenašanje otroka se lahko prodajata ločeno. Če kateri od delov manjka, stopite v stik z lokalnim prodajalcem. Za namestitev ne potrebujete nobenega orodja.

- | | | | |
|----|-----------------------------|----|--------------------------------------|
| 1 | Opora za glavo | 14 | Zadnje vodilo |
| 2 | Sedežna blazina | 15 | Gumb za sprostitve sedeža B |
| 3 | Ramenska pasova | 16 | Priključek ISOFIX |
| 4 | Vložek za dojenčke | 17 | Vodila ISOFIX |
| 5 | Gumb za nastavitev pasov | 18 | Gumb za nastavitev podporne noge |
| 6 | Prilagoditveni trak | 19 | Zaščita pred stranskimi udarci |
| 7 | Varnostna sponka | 20 | Gumb za zlaganje ščitnika |
| 8 | Stranska vodila | 21 | Gumb za nastavitev ISOFIX |
| 9 | Gumb za sprostitve sedeža A | 22 | Gumb za sprostitve nosila za otroka |
| 10 | Držalo strehice | 23 | Indikator podporne noge |
| 11 | Strehica | 24 | Predel za shrambo navodil za uporabo |
| 12 | Ročaj | | |
| 13 | Gumb na ročaju | | |



Uporaba izdelka

Opozorila glede namestitve

To nosilo za otroka je primerno za sedeže vozila s pritrilnimi točkami i-Size ISOFIX s podnožjem. (1)

V primeru nazaj obrnjenih sistemov za zadrževanje otrok **NE** uporabljate sistema na sedežnih prostorih, ki so opremljeni z aktivno čelno zračno blazino. Povzročite lahko hude poškodbe ali smrt. (2) Za več informacij glejte navodila za uporabo vozila.

Izboljšanega sistema za zadrževanje otrok **NE** nameščajte na sedeže vozila, ki so obrnjeni vstran ali nazaj glede na smer vožnje. (3)

Izboljšani sistem za zadrževanje otrok je priporočljivo namestiti na zadnji sedež vozila. (4)

Izboljšanega sistema za zadrževanje otrok **NE** nameščajte na sedeže vozila, ki se med namestitvijo lahko premikajo.

Nastavitev ročaja

- 1 - Ročaj nosila za otroka omogoča 3 položaje. (5)
- 2 - Če želite nastaviti ročaj, pritisnite gumba na obeh straneh ročaja, da ga sprostite. (6)-1
- 3 - Ročaj pomaknite v enega od 3 položajev tako, da se zaskoči. (6)-2

Namestitev s podnožjem

- 1 - Izvlecite podporno nogo iz prostora za shranjevanje. (7)
- 2 - Vodili ISOFIX pritrдите na pritrilni točki ISOFIX. (8) Vodili ISOFIX lahko zaščitita površino sedeža vozila pred raztrganjem. Poleg tega lahko vodita priključka ISOFIX.
- 3 - Pritisnite gumb za nastavitev ISOFIX, če želite nastaviti priključke ISOFIX. (9)
- 4 - Poravnajte priključka ISOFIX z vodikom ISOFIX in nato pritrдите oba priključka ISOFIX v pritrilni točki ISOFIX, tako da se zaskočita. (10)
 - ! Zagotovite, da sta oba priključka ISOFIX dobro pritrjena v pritrilni točki ISOFIX. Slišati morate dva klika in indikatorja na obeh priključkih ISOFIX morata biti popolnoma zelena. (10)-1
 - ! Povlecite priključka ISOFIX, da preverite, ali je podnožje varno pritrjeno.

- 5 - Ko je podnožje nameščeno na sedež vozila, iztegnite podporno nogo do tal (11). Če indikator podporne noge sveti zeleno, je namestitev pravilna, če sveti rdeče, namestitev ni pravilna. (11)-2
 - ! Podporna noga ima 19 položajev. Če indikator podporne noge sveti rdeče, pomeni, da je podporna noga v napačnem položaju.
 - ! Podporna noga se mora popolnoma dotikati tal vozila.
 - ! Če želite podporno nogo skrajšati, stisnite gumb za sprostitev podporne noge in povlecite podporno nogo navzgor. (11)-1Popolnoma sestavljeno podnožje je prikazano na sliki (12).
 - ! Priključka ISOFIX morata biti pritrjena in fiksirana na pritrilnih točkah ISOFIX. (12)-1
 - ! Podporna noga mora biti pravilno nameščena in indikator mora svetiti zeleno. (12)-2
- 6 - Če želite odstraniti podnožje, najprej pritisnite gumb za sekundarni zaklep (13)-1 in nato gumb (13)-2 na zaskočnih priključkih. Nato lahko odstranite podnožje s sedeža vozila.
- 7 - Pritisnite gumb za nastavitev ISOFIX, če želite zložiti ISOFIX.
- 8 - Nosilo za otroka potisnite v podnožje (14), če je izboljšani sistem za zadrževanje otrok varno pritrjen, bo zaščita pred stranskimi udarci odprta, indikator na izboljšanem sistemu za zadrževanje otrok pa bo svetil zeleno. (15) Zaščito pred stranskimi udarci, ki ni na strani vrat, lahko zaprete, kadar ni v uporabi, kot prikazuje slika (16).
 - ! Nosilo za otroka povlecite navzgor, da preverite, ali je varno pritrjen na podnožje.
- 9 - Če želite sprostiti nosilo za otroka, povlecite izboljšani sistem za zadrževanje otrok navzgor ter stisnite gumb za sprostitev na nosilu za otroka. (17)

Nastavljanje višine

opore za glavo in ramenskih varnostnih pasov

Preverite, ali sta ramenska varnostna pasova nastavljena na ustrezno višino. Izberite ustrezni odprtini za ramenska varnostna pasova, ki se prilegata otrokovi višini.

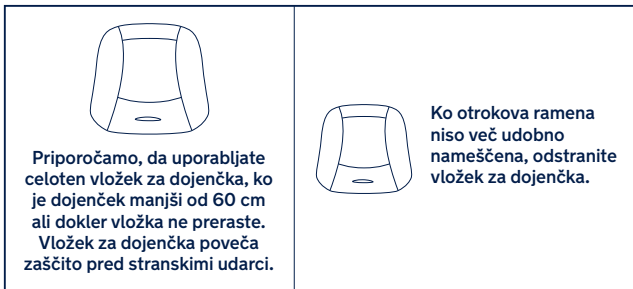
- ! Ramenska varnostna pasova morata biti najbližje otrokovim ramenom (18), vendar ne nad ramensko linijo. (19)

! Če ramenska varnostna pasova nista na ustrezni višini, lahko otrok v primeru trčenja pade iz izboljšanega sistema za zadrževanje otrok.

Povlecite ročico opore za glavo (20), oporo za glavo pa dvignite ali potisnite navzdol, dokler se ne zaskoči v enem od 7 položajev. Položaji opore za glavo so prikazani na sliki (21).

Zavarovanje otroka

Uporaba vložka za dojenčke



Ko položite otroka v sedež, se prepričajte, ali sta ramenska varnostna pasova na ustrezni višini.

- 1 - Držite pritisnjen gumb za prilagoditev varnostnega pasu in popolnoma izvlecite oba ramenska varnostna pasova iz izboljšanega sistema za zadrževanje otrok. (22)
 - 2 - S pritiskom rdečega gumba odpnite sponko varnostnih pasov. (23)
 - 3 - Posedite otroka v nosilo za otroka in zapnite sponko. (25) Glejte (24).
 - 4 - Zategnite ramenska varnostna pasova tako, da povlečete prilagoditveni trak. (26)
- ! Prepričajte se, da je med otrokom in ramenskima varnostnima pasovima prostora za približno debelino eno roke.

Strehica

- 1 - Odprite zadrgo na sprednjem loku strehice. (27)
- 2 - Iz strehice povlecite zastor dream drape™. (28)
- 3 - Z magneti pritrđite magnetne na oba sprednja robova nosila za otroka. (29)
- 4 - Za zračenje lahko odprete okno na strehici. (30)

Odstranitev in sestava mehkih delov

Glejte slike(31)–(42)

Za ponovno namestitev mehkih delov izvedite predhodno navedene korake v obratnem vrstnem redu.

Namestitev brez podnožja

- 1 - Tega nosila za otroka **NE** nameščajte na sedeže vozila s trebušnimi varnostnimi pasovi. (43)
 - 2 - To nosilo za otroka je primerno samo za namestitev na sedeže vozila s 3-točkovnim varnostnim pasom z navijalom (brez podnožja). (44)
 - 3 - Nosilo za otroka položite na sedež vozila, kjer ga želite namestiti. Izvlecite varnostni pas vozila in ga pripnite v sponko varnostnega pasu v vozilu, pri čemer vstavite trebušni varnostni pas vozila v stranski vodili nosila za otroka. (45)
- ! Nosila za otroka ni mogoče uporabiti, če je sponka varnostnega pasu vozila (ženski del sponke) predolga za varno pritrđitev nosila za otroka. (45)-1
- 4 - Diagonalni pas vstavite v zadnje vodilo. (46)
 - 5 - Povlecite ramenski varnostni pas vozila, da temeljito in varno pritrđite nosilo za otroka. (47)
 - 6 - Ko je nosilo za otroka nameščeno, mora biti linija nosila za otroka poravnana s tlemi. (48)
- ! Varnostni pas vozila napnite kolikor je možno in se prepričajte, da ni ohlapen ali zvit.
- ! Po namestitvi nosila za otroka vedno preverite, ali so pasovi vozila pravilno speljani in varno pripeti v sponke vozila. (49)

Nameščanje na letalu

- ! Varnost otroka ni zagotovljena, če ne upoštevate navodil za nameščanje in uporabo.
- ! Nameščanje nosila za otroka na sedežu letala se razlikuje od nameščanja na avtomobilski sedež.
- ! Na letalu je dovoljen le 2-točkovni »trebušni varnostni pas«.
- ! Nosilo za otroka mora ostati pritrjeno s pasom na letalski sedež, tudi ko je prazen.
- ! Nosilo za otroka lahko uporabljate na potniškem sedežu, ki ga odobri letalska družba.
- ! Opozarjamo vas, da nosila za otroka ne uporabljate na predelu, kjer so nameščene zračne blazine. (2)
- ! Nazaj obrnjeno nosilo za otroka lahko namestite samo na potniške sedeže, ki so obrnjeni naprej. (50)

Kako namestiti nosilo za otroka z varnostnim pasom na sedežu letala:

- 1 - Nosilo za otroka, obrnjeno v nasprotno smer leta, namestite na potniški sedež.
 - 2 - Zagotovite, da je ročaj za nošenje v najvišjem položaju.
 - 3 - Varnostni pas vstavite v oba vodila za varnostni pas.
 - 4 - Pripnite varnostni pas (glejte varnostna navodila letalske družbe).
 - 5 - Varnostni pas zategnite tako, da povlečete konec pasu. (51)
- ! Sponka varnostnega pasu ne sme pod nobenim pogojem ležati znotraj temno zelenih vodil za pas. (52)

Odstranitev:

Odpnite varnostni pas potniškega sedeža (glejte varnostna navodila letalske družbe).

Nosilo za otroka lahko sedaj odstranite s potniškega sedeža.

Čiščenje in vzdrževanje

Okvir, plastične dele in tekstil čistite z vlažno krpo. Ne uporabljajte abrazivnih sredstev ali belila. Ne uporabljajte silikonskih maziv, saj se bo na njih prijela umazanija.

Za zagotavljanje dolgotrajne uporabe izdelek po uporabi v dežju obrišite z mehko in vpojno krpo.

Za navodila glede pranja in sušenja mehkih delov glejte oznako za vzdrževanje na mehkih delih.

Čisto običajno je, da, tudi ob normalni uporabi, tkanina spremeni barvo zaradi izpostavljenosti sončni svetlobi in da se po daljši uporabi pokažejo znaki obrabe.

Iz varnostnih razlogov uporabljajte samo originalne dele Nuna.

Redno preverjajte, ali vsi deli delujejo pravilno. Če je kateri od delov strgan, zlomljen ali manjka, izdelek neahajte uporabljati.

**ВАЖНО!
СОХРАНИТЕ
НАСТОЯЩЕЕ
РУКОВОДСТВО ДЛЯ
ИСПОЛЬЗОВАНИЯ В
БУДУЩЕМ:
ПРОЧИТЕ
ВНИМАТЕЛЬНО**

Содержание

Информация об изделии	195
Регистрация изделия	
Гарантия	
Контактные данные	
Требования к росту, весу и возрасту ребенка	196
Для использования с основанием и без основания	197
Предупреждения	198
Комплектация	202
Эксплуатация изделия	204
Очистка и уход за изделием	209

Информация об изделии

Номер модели: _____

Дата изготовления: _____

Регистрация изделия

Заполните вышеуказанные данные. Номер модели и дата изготовления указаны в нижней части PIPA next и основания PIPA next.

Для регистрации устройства посетите веб-сайт:

www.nunababy.com

Щелкните ссылку “Регистрация устройства” на главной странице.

Гарантия

Мы специально разрабатываем наши высококачественные изделия так, чтобы они росли вместе с вашим ребенком и вашей семьей. Мы гарантируем качество своих изделий, и поэтому на механизмы наших устройств предоставляется гарантия клиента, начиная с момента их покупки. Обращаясь к нам, предъявите кассовый чек и сообщите номер модели и дату изготовления.

Для просмотра сведений о гарантии посетите веб-сайт:

www.nunababy.com

Щелкните ссылку “Гарантия” на главной странице.

Контактные данные

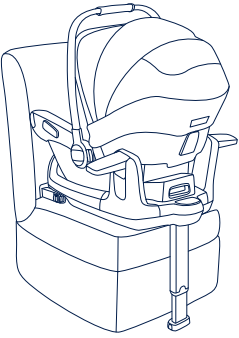
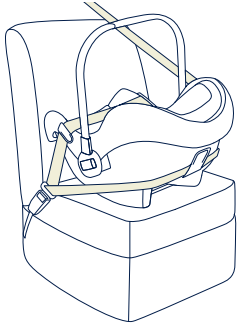
Для приобретения запасных частей, услуг или дополнительных разъяснений по гарантии обращайтесь в отдел обслуживания клиентов.

info@nunababy.com

www.nunababy.com

Требования к росту, весу и возрасту ребенка

Данное изделие предназначено для детей, отвечающих следующим требованиям.

Иллюстрация установки	Подходит для детей:
	Рост ребенка 40–83 см, вес ребенка ≤13 кг (возрастом приблизительно от 15 месяцев до)
	Рост ребенка 40–83 см, Вес ребенка ≤13 кг Возраст ребенка ≤15 месяцев

Для использования с основанием и без основания

- 1 - «i-Size» (улучшенные детские удерживающие системы Integral Universal ISOFIX) — это категория улучшенных детских удерживающих систем, специально предназначенных для использования во всех положениях автомобильных сидений типа i-Size.
- 2 - Согласно Правилу ООН №129 улучшенное детское удерживающее устройство с основанием является универсальным улучшенным детским автокреслом ISOFIX, которое устанавливается при помощи фиксаторов ISOFIX.
- 3 - Это улучшенное детское удерживающее устройство типа «i-Size». Оно утверждено Правилем ООН № 129 для установки на автомобильных сиденьях, совместимых со стандартом «i-Size», согласно информации производителей автомобилей, которая содержится в руководстве к автомобилям.
- 4 - Это универсальное улучшенное детское удерживающее устройство с ремнями. Оно утверждено Правилем ООН № 129 для установки, в основном, в «универсальных положениях автомобильных сидений», согласно информации производителей автомобилей, которая содержится в руководстве к автомобилям.
- 5 - В случае появления сомнений обращайтесь к производителю или продавцу улучшенного детского удерживающего устройства.
- 6 - Детское удерживающее устройство PIPA next совместимо со следующими устройствами:
 - PIPA next base
 - ARRA base
 - BASE next

Для установки ARRA base см. Руководство по установке ARRA.

Для установки BASE next см. Руководство по установке BASE next.

⚠ ПРЕДУПРЕЖДЕНИЯ

Несоблюдение этих предупреждений и инструкций может привести к причинению серьезного вреда здоровью ребенка или летальному исходу.

Все ремни, удерживающие переносную люльку в автомобиле, должны быть плотно натянуты. Опорная ножка должна упираться в пол автомобиля, а ремни, удерживающие ребенка, должны быть отрегулированы по размеру его тела. Ремни не должны быть перекручены.

Поместив ребенка в данное улучшенное детское автокресло, необходимо правильно пристегнуть ремень безопасности.

Любой багаж и другие предметы должны быть надежно закреплены, так как они могут причинить травмы при аварии.

Удостоверьтесь, что улучшенное детское автокресло установлено так, чтобы оно не мешало перемещению регулируемых сидений и дверей автомобиля.

Перед тем, как переносить ребенка в переносной люльке, убедитесь, что он пристегнут ремнями, а рукоятка надежно зафиксирована в вертикальном положении.

По вопросам, связанным с обслуживанием, ремонтом и заменой деталей, обращайтесь в магазин, где было приобретено данное изделие.

Правильная установка разрешается только с использованием креплений ISOFIX.

Регулярно проверяйте направляющие ISOFIX на предмет отсутствия загрязнений и при необходимости выполняйте чистку. Надежность крепления снижается при попадании на крепление грязи, пыли, частиц пищи и т.п.

Перед покупкой данного улучшенного детского автокресла следует удостовериться, что его можно правильно установить в вашем автомобиле.

Не допускайте попадания на улучшенное детское автокресло без тканевого покрывала прямых солнечных лучей, так как оно может нагреться и вызвать дискомфорт при контакте с кожей ребенка. Перед тем, как поместить ребенка в улучшенное детское автокресло, всегда проверяйте на ощупь температуру его поверхности.

Это универсальное улучшенное детское удерживающее устройство с ремнями. Оно утверждено Правилем ООН

№ 129 для установки, в основном, в «универсальных положениях автомобильных сидений», согласно информации производителей автомобилей, которая содержится в руководстве к автомобилям.

Рост ребенка: 40–83 см; вес ребенка: ≤13 кг (возраст приблизительно до 15 месяцев).

Для использования переносной люльки с штатным ремнем безопасности ребенок должен соответствовать указанным ниже требованиям.

Вес ребенка ≤13 кг/ возраст ребенка ≤15 месяцев.

Заменять тканевую обивку улучшенного детского автокресла допускается только обивкой, рекомендованной производителем, т.к. тканевая обивка является неотъемлемой частью конструкции данного детского удерживающего устройства.

Во избежание риска падения ребенка необходимо всегда пристегивать ребенка ремнями в переносной люльке, даже если улучшенное детское автокресло не находится в автомобиле.

КАТЕГОРИЧЕСКИ ЗАПРЕЩАЕТСЯ помещать переносную люльку с ребенком на приподнятые поверхности. Это может стать причиной серьезной травмы и смерти ребенка.

Детали данного улучшенного детского автокресла не требуют никакой смазки.

Если автолюлька не используется регулярно, рекомендуется снять переносную люльку и основание с сиденья автомобиля.

ВСЕГДА закрепляйте ребенка в улучшенном детском автокресле даже в коротких поездках, так как именно во время них происходит большинство аварий.

КАТЕГОРИЧЕСКИ ЗАПРЕЩАЕТСЯ оставлять ребенка в улучшенном детском автокресле без присмотра.

КАТЕГОРИЧЕСКИ ЗАПРЕЩАЕТСЯ использовать бывшее в употреблении улучшенное детское автокресло или автокресло, о котором вам ничего не известно, т.к. оно может оказаться неисправным, что создаст угрозу безопасности вашего ребенка.

КАТЕГОРИЧЕСКИ ЗАПРЕЩАЕТСЯ использовать веревки и другие материалы для фиксации ребенка в улучшенном детском автокресле или крепления автокресла в автомобиле.

Ни одно улучшенное детское автокресло **НЕ** гарантирует полной защиты от травм в случае аварии. Однако правильное использование данного улучшенного детского автокресла уменьшает риск причинения тяжелых травм или смерти ребенка.

ЗАПРЕЩАЕТСЯ использовать улучшенное детское автокресло в положении лицом против направления движения на сиденьях, оснащенных активными фронтальными подушками безопасности. Это может привести к травмам или смертельному исходу. За дополнительной информацией обращайтесь к руководству по эксплуатации автомобиля.

ЗАПРЕЩАЕТСЯ ставить какие-либо предметы в месте расположения опорной ножки напротив основания.

ЗАПРЕЩАЕТСЯ использовать опорные точки, кроме тех, которые указаны в инструкциях и обозначены на улучшенном детском автокресле.

ЗАПРЕЩАЕТСЯ использовать улучшенное детское автокресло, пострадавшее от любого удара, даже самого незначительного. Срочно замените автокресло, т.к. в нем могут оказаться невидимые структурные повреждения после удара.

ЗАПРЕЩАЕТСЯ устанавливать данное улучшенное детское автокресло с нарушением инструкций, изложенных в настоящем руководстве. Это создает значительный риск причинения травм или смерти ребенка.

ЗАПРЕЩАЕТСЯ модифицировать улучшенное детское автокресло, а также использовать его вместе с деталями других производителей.

ЗАПРЕЩАЕТСЯ использовать улучшенное детское автокресло без тканевых деталей.

ЗАПРЕЩАЕТСЯ использовать улучшенное детское автокресло, у которого имеются повреждения или отсутствуют детали.

ЗАПРЕЩАЕТСЯ надевать на ребенка одежду большого размера, так как при этом невозможно правильно и надежно пристегнуть ребенка ремнями за плечи и между ног.

ЗАПРЕЩАЕТСЯ оставлять улучшенное детское автокресло и другие предметы непристегнутыми или незакрепленными в автомобиле, т.к. в этом случае улучшенное детское автокресло может упасть и причинить травмы пассажирам в случае резкого поворота, внезапной остановки или столкновения с другим автомобилем.

ЗАПРЕЩАЕТСЯ помещать в улучшенное детское автокресло любые предметы, кроме прокладок, рекомендованных производителем.

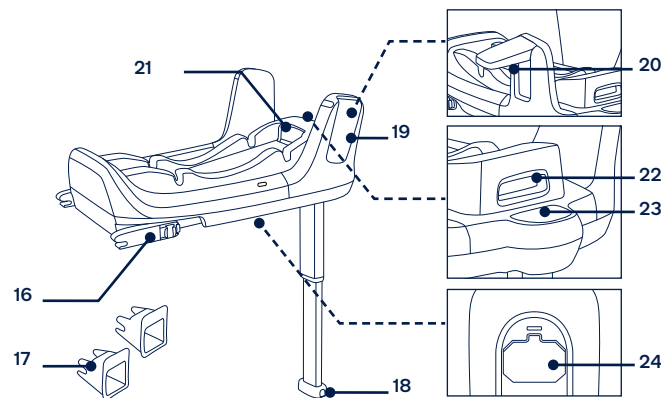
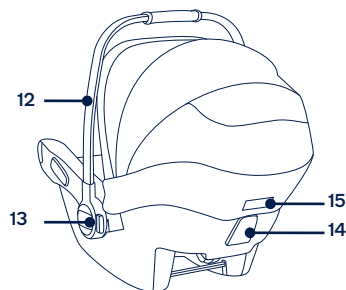
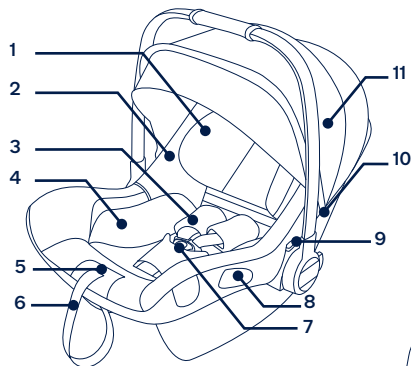
Инструкции должны храниться в улучшенном детском автокресле в течение всего срока эксплуатации.

Обращайте внимание на инструкции и предупреждения, приведенные в руководстве производителя автомобиля.

Комплектность

Перед сборкой данного изделия проверьте наличие всех деталей. Переносная люлька и основание могут продаваться по отдельности. При отсутствии любой из деталей обратитесь к местному торговому представителю. Для сборки не требуются инструменты.

- | | |
|-----------------------------|--|
| 1 Подголовник | 14 Задняя направляющая |
| 2 Подкладка сиденья | 15 Кнопка фиксации коляски В |
| 3 Плечевые ремни | 16 Крепление ISOFIX |
| 4 Вкладыш для младенцев | 17 Направляющие ISOFIX |
| 5 Кнопка регулировки ремней | 18 Кнопка регулировки опорной ножки |
| 6 Регулировочный ремень | 19 Боковой защитный экран |
| 7 Пряжка ремней | 20 Кнопка сворачивания защитного экрана |
| 8 Боковые направляющие | 21 Кнопка регулятора ISOFIX |
| 9 Кнопка фиксации коляски А | 22 Кнопка фиксатора переносной люльки |
| 10 Крепление козырька | 23 Индикатор опорной ножки |
| 11 Козырек | 24 Отсек для хранения инструкции по эксплуатации |
| 12 Рукоятка | |
| 13 Кнопка рукоятки | |



Эксплуатация изделия

Вопросы установки

Данная переносная люлька предназначена для автомобильных сидений с анкерными фиксаторами i-Size ISOFIX с основанием. (1)

ЗАПРЕЩАЕТСЯ использовать улучшенное детское автокресло в положении лицом против направления движения на сиденьях, оснащенных активными фронтальными подушками безопасности. Это может привести к травмам или смертельному исходу. (2) За дополнительной информацией обращайтесь к руководству по эксплуатации автомобиля.

ЗАПРЕЩАЕТСЯ устанавливать улучшенное детское автокресло на автомобильных сиденьях, установленных лицом против хода движения или в сторону от хода движения автомобиля. (3)

Рекомендуется устанавливать данное улучшенное детское автокресло на заднем сиденье автомобиля. (4)

ЗАПРЕЩАЕТСЯ устанавливать улучшенное детское автокресло на автомобильных сиденьях, перемещающихся во время установки.

Регулировка рукоятки

- 1 - Рукоятку переносной люльки можно установить в 3 положения. (5)
- 2 - Для регулировки положения рукоятки нажмите на кнопки по обеим ее сторонам, чтобы разблокировать рукоятку. (6)-1
- 3 - Поверните рукоятку, чтобы зафиксировать ее со щелчком в любом из 3-х положений. (6)-2

Установка с основанием

- 1 - Извлеките опорную ножку из отсека для хранения. (7)
- 2 - Вставьте направляющие ISOFIX в точки анкерного крепления ISOFIX. (8) Направляющие ISOFIX защищают поверхность автомобильного сиденья от повреждений. Также они служат в качестве направляющих для фиксаторов ISOFIX.
- 3 - Нажмите на кнопку регулятора ISOFIX, чтобы отрегулировать крепления ISOFIX. (9)

4 - Совместите крепления ISOFIX с направляющими ISOFIX и вставьте оба фиксатора ISOFIX в точки анкерного крепления ISOFIX до щелчка. (10)

! Убедитесь в том, что оба фиксатора ISOFIX надежно закреплены в точках крепления ISOFIX. Должно прозвучать два щелчка, и цвет индикаторов обоих креплений ISOFIX должен быть зеленым. (10)-1

! Проверьте надежность установки основания, потянув за оба крепления ISOFIX.

5 - Поставьте основание на автомобильное сиденье, выдвиньте опорную ножку до пола (11). Если индикатор опорной ножки зеленый, установка выполнена правильно, если красный - неправильно. (11)-2

! Опорная ножка устанавливается в 19 положения. Если индикатор опорной ножки красный, это значит, что опорная ножка находится в неправильном положении.

! Убедитесь, что опорная ножка полностью упирается в пол автомобиля.

! Чтобы укоротить опорную ножку, сожмите кнопку фиксатора опорной ножки и поднимите ее вверх. (11)-1
Полностью собранное основание показано на рисунке (12).

! Фиксаторы ISOFIX необходимо закрепить в точках крепления ISOFIX. (12)-1

! Правильно установите опорную ножку, чтобы индикатор стал зеленого цвета. (12)-2

6 - Чтобы снять основание, сначала нажмите вторую кнопку фиксатора (13)-1, а затем кнопку креплений (13)-2 и снимите основание с автомобильного сиденья.

7 - Нажмите на кнопку фиксатора ISOFIX, чтобы сложить фиксаторы ISOFIX.

8 - Установите переносную люльку на основание (14). Если улучшенное детское автокресло закреплено надежно, боковой защитный экран откроется, а индикатор фиксации улучшенного детского автокресла станет зеленым. (15) Боковой защитный экран, расположенный в стороне от двери, можно закрыть, как показано на рисунке (16), если он не используется.

! ! Потяните переносную люльку вверх, чтобы проверить надежность ее фиксации в основании.

9 - Чтобы отсоединить переносную люльку от основания, поднимите улучшенное детское автокресло, удерживая нажатой кнопку фиксатора люльки. (17)

Регулировка высоты

подголовника и плечевых ремней

Проверьте правильность установки высоты плечевых ремней. Выберите пару отверстий для плечевых ремней в соответствии с ростом ребенка.

! Плечевые ремни должны находиться недалеко от плеч ребенка (18), но не выше уровня плеч. (19)

! Если плечевые ремни будут расположены на неправильной высоте, ребенок может выпасть из улучшенного детского автокресла в случае ДТП.

Потяните за рычаг для регулировки подголовника (20) и при этом потяните подголовник вверх или вниз так, чтобы защелкнуть его в одном из 7 положений. Положения подголовника показаны на рис. (21).

Фиксация ребенка

Использование вкладыша для младенцев



Посадив ребенка в кресло, проверьте высоту плечевых ремней.

1 - Нажав на кнопку регулировки ремней, полностью вытяните два плечевых ремня улучшенного детского автокресла. (22)

2 - Нажмите на красную кнопку и расстегните пряжку ремней. (23)

3 - Поместите ребенка в переносную люльку и застегните пряжку. (25)
См. рис. (24).

4 - Потяните за регулировочный ремень, чтобы затянуть плечевые ремни. (26)

! Расстояние между ребенком и плечевыми ремнями должно примерно соответствовать толщине ладони.

Козырек

1 - Расстегните застежку-молнию на передней дуге козырька. (27)

2 - Достаньте из козырька вкладыш dream drape™. (28)

3 - Прикрепите магниты, расположенные в каждом углу, к передней части переносной люльки с магнитами. (29)

4 - Окно в козырьке можно открывать для проветривания. (30)

Снятие и надевание деталей из ткани

См. рисунки (31)-(42)

Чтобы надеть детали из ткани, выполните приведенные выше действия в обратном порядке.

Установка без основания

1 - **ЗАПРЕЩАЕТСЯ** устанавливать переносную люльку на сиденья с поясными ремнями. (43)

2 - Данная переносная люлька предназначена только для автомобильных сидений с 3-точечными инерционными ремнями безопасности (без основания). (44)

3 - Установите переносную люльку на выбранное автомобильное сиденье. Вытяните штатный ремень безопасности автомобиля и зафиксируйте его штатной пряжкой, а штатный поясной ремень вставьте в боковые направляющие переносной люльки. (45)

! Переносную люльку запрещается использовать, если пряжка штатного ремня безопасности (гнездовая часть) слишком длинная и не позволяет надежно закрепить переносную люльку. (45)-1

4 - Вставьте диагональную часть ремня безопасности в заднюю направляющую. (46)

5 - Вытяните штатный плечевой ремень безопасности, чтобы закрепить переносную люльку прочно и надежно. (47)

6 - В установленной переносной люльке линия уровня должна находиться на уровне земли. (48)

! Штатный ремень безопасности автомобиля должен быть натянут как можно сильнее. Проверьте его на наличие провисаний или перекручиваний.

! После установки переносной люльки всегда проверяйте, чтобы автомобильные ремни были правильно продеты и надежно закреплены пряжкой автомобильного ремня. (49)

Установка в самолете

! Помните, что безопасность ребенка не гарантируется в случае несоблюдения инструкций руководства по установке и эксплуатации.

! Следует учитывать, что установка переносной люльки на сиденье самолета отличается от установки на сиденье автомобиля.

! Следует учитывать, что для установки в самолете разрешается использовать только 2-точечный поясной ремень.

! Помните, что переносная люлька в самолете должна быть закреплена ремнем, даже если в ней никого нет.

! Следует учитывать, что переносная люлька предназначена только для использования на пассажирских сиденьях, одобренных авиакомпанией.

! Запрещается использовать переносную люльку в зоне раскрытия подушки безопасности. (2)

! Следует учитывать, что установка переносной люльки в положении лицом против хода движения разрешена только на пассажирских сиденьях, расположенных в направлении хода движения. (50)

Порядок установки переносной люльки с помощью ремня безопасности самолета:

1 - Поставьте переносную люльку на пассажирское сиденье против направления движения самолета.

2 - Убедитесь, что ручка для переноски находится в крайнем верхнем положении.

3 - Проденьте ремень безопасности через обе направляющие ремня.

4 - Закройте фиксатор ремня безопасности (см. инструкции по безопасности, предоставленные авиакомпанией).

5 - Потяните за конец ремня, чтобы отрегулировать его натяжение. (51)

! Пряжка ремня безопасности ни в коем случае не должна находиться в зоне темно-зеленых направляющих ремня. (52)

Инструкции по снятию.

Откройте фиксатор ремня безопасности пассажирского сиденья (см. инструкции по безопасности, предоставленные авиакомпанией). Теперь можно снять переносную люльку с пассажирского сиденья.

Очистка и уход за изделием

Очистка рамы, пластмассовых и тканевых деталей должна выполняться влажной салфеткой, без использования абразивных моющих средств и отбеливателей. Не рекомендуется использовать силиконовые смазочные материалы, так как к ним прилипает пыль и грязь.

Для обеспечения долгой эксплуатации протирайте изделие мягкой, впитывающей влагу салфеткой после использования в дождливую погоду.

Инструкции по стирке и сушке тканевых деталей приводятся на прикрепленных к ним этикетках по уходу.

Ткань имеет свойство выгорать на солнце, а также изнашиваться в ходе длительной эксплуатации даже при соблюдении всех условий и требований.

В целях безопасности используйте только оригинальные детали Nuna.

Регулярно проверяйте исправность всех компонентов изделия. Прекратите эксплуатацию изделия, если любой из его компонентов разорван, сломан или отсутствует.

VIKTIGT!
BEHÅLL DESSA
ANVISNINGAR FÖR
FRAMTIDA BRUK:
LÄS IGENOM NOGA

Innehåll

Produktinformation	213
Produktregistrering	
Garanti	
Kontakt	
Barnanvändningskrav	214
Kan användas med och utan bas	215
Varning	216
Lista över delar	219
Produktanvändning	221
Rengöring och underhåll	226

Produktinformation

Modellnummer: _____

Tillverkningsdatum: _____

Produktregistrering

Fyll i ovanstående information. Modellnumret och tillverkningsdatum är placerat på undersidan av PIPA bredvid och PIPA nästa bas.

Registrera din produkt genom att besöka:

www.nunababy.com

Klicka på länken "Registrera utrustning" på hemsidan.

Garanti

Vi har avsiktligt designat våra högkvalitativa produkter så att den kan växa både med barnet och din familj. Eftersom vi står för våra produkter täck vår utrustning av en kundgaranti per produkt med början från inköpsdatumet. Ha inköpsbevis, modellnummer och tillverkningsdatum tillgängligt när du kontaktar oss.

För garantiinformation besök:

www.nunababy.com

Klicka på länken "Garanti" på startsidan.

Kontakt

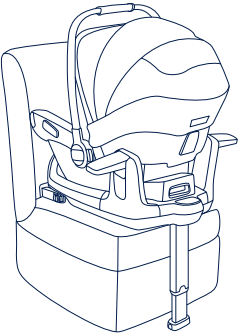
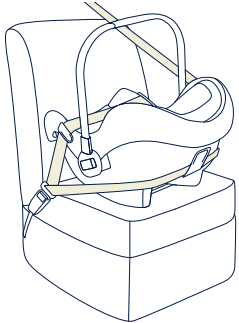
För reservdelar, service eller ytterligare garantifrågor, kontakta vår kundtjänstavdelning

info@nunababy.com

www.nunababy.com

Barnanvändningskrav

Denna produkt är lämplig att använda för barn som uppfyller följande krav:

Bild för installation	Lämplig för
	Barnets längd 40 cm - 83 cm / barnets vikt ≤ 13 kg (ungefär 15 månader eller yngre)
	Barnets längd 40 cm - 83 cm / Barnets vikt ≤ 13 kg Barnets ålder ≤ 15 månader

Kan användas med och utan bas

- 1- "i-Size" (Integral Universal ISOFIX Enhanced Child Restraint) är en kategori av förstärkt bilbarnstolsystem primärt designat för att användas i alla i-Size-sättespositioner i ett fordon.
- 2- Enligt FN:s förordning nr 129 är den förstärkta bilbarnstolen med bas en förstärkt bilbarnstol med universell ISOFIX och skall fästas med ISOFIX-fästnanordningarna.
- 3- Det här är ett "i-Size"-system för förstärkt bilbarnstol. Den är godkänd enligt FN:s förordning nr 129, för användning i i-Size-kompatibla sättespositioner såsom indikeras av fordonstillverkarens bruksanvisning.
- 4- Det här är en universell bältförsedd förstärkt bilbarnstol. Den är godkänd enligt FN:s förordning nr 129 för huvudsaklig användning i "universella sättespositioner" som indikeras av fordonstillverkare i fordonets bruksanvisning.
- 5- Vid tveksamheter ska antingen tillverkaren eller återförsäljaren av system för förstärkt bilbarnstol rådfrågas.
- 6- PIPA next-bilbarnstol är kompatibel med:

PIPA next base

ARRA base

BASE next

Se bruksanvisningen från ARRA om hur ARRA base ska monteras.

Se bruksanvisningen från BASE next om hur BASE next-basen ska monteras.

⚠ VARNING

Underlåtenhet att följa dessa varningar och instruktioner kan resultera i allvarlig skada eller dödsfall.

Alla band som håller fast spädbarnsmodulen i fordonet måste vara åtdragna och Stödbenet ska ha kontakt med fordonets golv och remmarna som håller fast barnet ska justeras efter barnets kropp. Remmarna får inte vara tvinnade.

Efter att ditt barn har placerats i den här förstärkta barnbilstolen måste säkerhetsbältet användas korrekt.

Allt bagage eller andra föremål som kan orsaka personskador vid en kollision måste vara ordentligt säkrade.

Se till att den förstärkta barnbilstolen är installerad på ett sådant sätt att inga delar av den är i vägen för rörliga säten eller vid användning av fordonets dörrar.

Innan barnet bärs i spädbarnsmodulen, se till att barnet är fastspänt och säkerhetsselet och att handtaget är korrekt låst i vertikal position.

Rådfråga återförsäljaren beträffande frågor om underhåll, reparation och utbyte av delar.

Korrekt installation är endast tillåten med ISOFIX anslutningar.

Kontrollera regelbundet ISOFIX-styrskenorerna efter smuts och rengör dem om nödvändigt. Pålitligheten kan påverkas av ansamlad smuts, damm eller matrester etc.

Kontrollera innan du köper den här förstärkta barnbilstolen att den kan installeras korrekt i ditt fordon.

Håll den här förstärkta bilbarnstolen borta från solljus eftersom den i annat fall kan bli för het för barnets hud. Känn alltid på den förstärkta bilbarnstolen innan du placerar barnet i den.

För att använda den här förbättrade bilbarnstolen med ISOFIX-anslutningar i enlighet med FN:s förordning 129 måste ditt barn uppfylla följande krav.

Barnets längd 40 cm-83 cm / barnets vikt ≤13 kg;
(Cirka 15 månader eller yngre).

För att använda denna spädbarnsmodul med fordonsbälte, måste ditt barn uppfylla följande krav.

Barnets vikt ≤13 kg / Barnets ålder ≤15 månader.

Det här förstärkta barnbilstolssystemets mjuka delar får inte ersättas med något annat material än det som rekommenderas av tillverkaren, eftersom de mjuka delarna utgör en integrerad del av bilbarnstolens egenskaper.

För att undvika risken att barnet faller ur stolen skall barnet alltid använda säkerhetsselet när barnet är placerat i bilstolen för spädbarn, även när den förstärkta bilbarnstolen inte är i fordonet.

För att undvika allvarliga skador eller dödsfall skall **ALDRIG** spädbarnsmodulen placeras på upphöjda säten med barnet i den.

Delarna på den här förstärkta barnbilstolen skall inte smörjas på något sätt.

Ta bort denna spädbarnsmodul från fordonet när den inte skall användas regelbundet.

Sätt **ALLTID** fast barnet i den förstärkta barnbilstolen, även vid korta resor eftersom det är då som de flesta olyckor sker.

Lämna **ALDRIG** ditt barn utan uppsikt i eller vid den här förstärkta bilbarnstolen.

Använd **ALDRIG** en begagnad förstärkt bilbarnstol eller en förstärkt barnbilstol som du inte känner till eftersom den kan ha strukturella skador som riskerar barnets säkerhet.

Använd **ALDRIG** rep eller annat för att fästa den förstärkta barnbilstolen i fordonet eller för att fästa barnet i den förstärkta barnbilstolen.

INGEN förstärkt bilbarnstol kan garantera ett fullständigt skydd mot personskador vid en olycka. Däremot minskar en korrekt användning av den här förstärkta bilbarnstolen risken för allvarliga personskador eller dödsfall för ditt barn.

Använd **INTE** framåtvända förstärkta bilbarnstolsystem på säten som det finns monterat en aktiv krockkudde framför. Dödsfall eller allvarliga skador kan uppstå. Se fordonets bruksanvisning för ytterligare information.

Placera **INGA** föremål inom stödbenets område framför basen.

Använd **INTE** andra fästpunkter än de som beskrivs i instruktionerna och som är markerade på den förstärkta bilbarnstolen.

Fortsätt **INTE** att använda den här förstärkta bilbarnstolen om den varit med om någon typ av krock, även en som var mindre i omfattning. Byt omedelbart eftersom det kan finnas osynliga, strukturella skador från krocken.

Installera **INTE** den här förstärkta bilbarnstolen utan att följa instruktionerna i denna bruksanvisning eftersom du annars kan utsätta ditt barn för allvarliga skaderisker eller dödsfall.

Gör **INTE** några ändringar på den här förstärkta barnbilstolen och använd den inte heller tillsammans med komponenter från andra tillverkare.

Använd **INTE** det här förstärkta bilbarnstolsystemet utan dess mjuka delar.

Använd **INTE** den här förstärkta bilbarnstolen om den är skadad eller om delar saknas.

Låt **INTE** ditt barn bära stora/för stora kläder eftersom dessa kan förhindra att barnet sitter säkert och korrekt fastspänt med axelremmarna och klykan mellan benen.

Lämna **INTE** den här förstärkta bilbarnstolen eller andra föremål utan bälte eller icke fastspända i ditt fordon. En förstärkt bilbarnstol som inte spänts fast kan kastas omkring och kan skada de som befinner sig i dess närhet vid skarpa svängar, plötsliga stopp eller kollisioner.

Placera **INTE** något annat än de rekommenderade inre kuddarna i denna förstärkta bilstol.

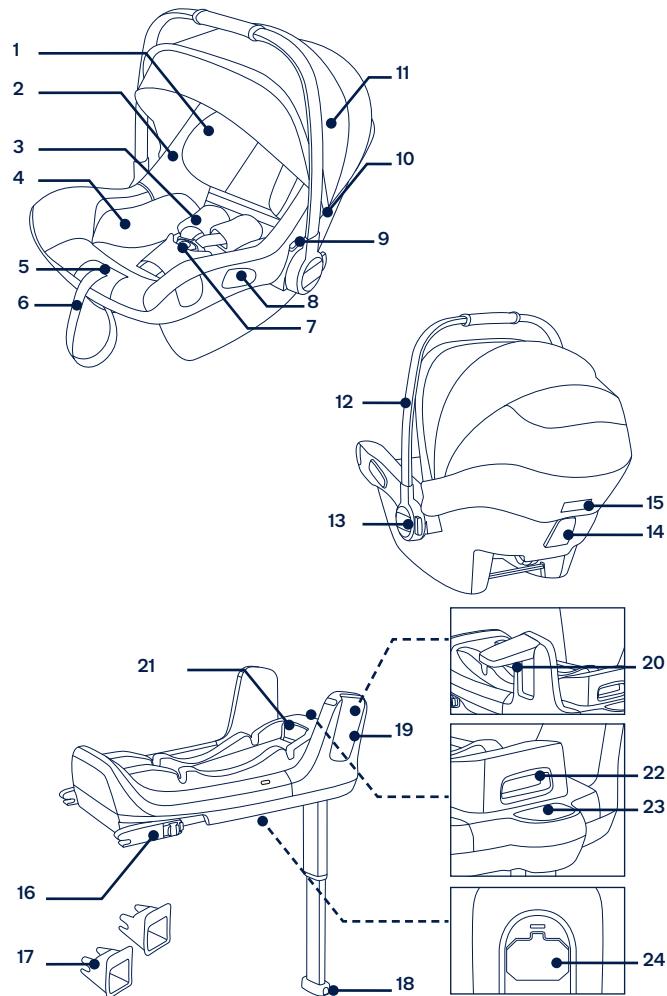
Instruktionerna ska förvaras i den förstärkta bilbarnstolen under dess livslängd.

Var även uppmärksam på instruktionerna och varningarna i handboken från fordonets tillverkare.

Lista över delar

Kontrollera att alla delar är tillgängliga före montering. Bilstolsmodulen för spädbarn och basen kan säljas separat. Om någon del saknas, kontakta din lokala återförsäljare. Inga verktyg behövs för montering.

- | | | | |
|----|-----------------------------|----|--|
| 1 | Huvudstöd | 14 | Bakre styrskena |
| 2 | Sittdyna | 15 | Sittvagnsfrigörings-knapp B |
| 3 | Remmar till axelselen | 16 | ISOFIX-anslutning |
| 4 | Spädbarnsinsats | 17 | ISOFIX-styrskenor |
| 5 | Justeringsknapp till sele | 18 | Justeringsknapp för stödben |
| 6 | Justeringsband | 19 | Sidoskydd |
| 7 | Säkerhetsspänne | 20 | Knapp för bakåtvikning av skydd |
| 8 | Sidostöd | 21 | ISOFIX-justeringsknapp |
| 9 | Sittvagnsfrigörings-knapp A | 22 | Frigöringsknapp för bilstolsmodulen för spädbarn |
| 10 | Sufflettäste | 23 | Indikator för stödben |
| 11 | Sufflett | 24 | Förvaringsutrymme för bruksanvisning |
| 12 | Handtag | | |
| 13 | Handtagsknapp | | |



Produktanvändning

Installationsbekymmer

Denna bilbarnstol är lämplig för bilsäten med i-Size ISOFIX fästpunkter med basen. (1)

Använd **INTE** framåtvända förstärkta bilbarnstolsystem på säten som det finns monterat en aktiv krockkudde framför. Dödsfall eller allvarliga skador kan uppstå. (2) Se fordonets bruksanvisning för ytterligare information.

Installera **INTE** denna förstärkta bilbarnstol i fordonssäten riktad åt sidan eller bakåt avseende fordonets körriktning. (3)

Det rekommenderas att installera denna förstärkta bilbarnstol i baksätet. (4)

Installera **INTE** denna förstärkta bilbarnstol på ett fordonssäte som är instabilt under installationen.

Handtagsjustering

- 1 - Handtaget på spädbarnsmodulen kan justeras i 3 positioner. (5)
- 2 - För att justera handtaget, pressa handtagsknapparna på båda sidor för att lossa det. (6)-1
- 3 - Vrid handtaget tills det klickar i någon av de tre positionerna. (6)-2

Installation med bas

- 1 - Vik ut stödbenet från förvaringsutrymmet. (7)
 - 2 - Fäst ISOFIX styrskenorna med ISOFIX förankringspunkter. (8) ISOFIX-styrskenorna kan skydda bilsätets yta från att slitas ut. De kan också styra ISOFIX-anlutningarna.
 - 3 - Tryck på ISOFIX justeringsknappen för att justera ISOFIX-anlutningarna. (9)
 - 4 - Rikta in ISOFIX-anlutningarna mot ISOFIX-skenorna och klicka sedan i båda ISOFIX-anlutningarna i ISOFIX-förankringspunkterna. (10)
- ! Kontrollera att båda ISOFIX-anlutningarna är korrekt monterade i ISOFIX-förankringspunkterna. Det ska uppstå två hörbara klick och indikatorernas färger på båda ISOFIX-kontakterna ska vara helt gröna. (10)-1
- ! Kontrollera att basen sitter fast installerad genom att dra i båda ISOFIX-anlutningarna.

- 5 - Efter att basen placerats på fordonssätet, förläng stödbenet till golvet (11). När indikatorn för stödbenet visar grönt betyder att det är korrekt installerat, rött betyder att det installerats felaktigt. (11)-2
- ! Stödbenet har 19 lägen. När stödbenets indikator visar rött betyder att stödbenet är i fel position.
- ! Kontrollera att stödbenet är helt i kontakt med fordonets golv.
- ! För att korta stödbenet, tryck på stödbenets lås knapp och dra stödbenet uppåt. (11)-1
Den komplett monterade basen visas i (12).
- ! ISOFIX-anlutningarna måste fästas och låsas på ISOFIX-förankringspunkterna. (12)-1
- ! Stödbenet måste vara installerat korrekt med grön indikator. (12)-2
- 6 - Ta bort basen genom att först trycka på den andra lås knappen (13)-1 först och sedan på knappen (13)-2 på hakanslutningarna innan basen tas bort från fordonssätet.
 - 7 - Tryck på ISOFIX justeringsknapp för att fälla ihop ISOFIX.
 - 8 - Skjut ned spädbarnsmodulen i basen (14), om den förstärkta bilbarnstolen sitter fast, kommer sidokrockskyddet att vara öppet och den förstärkta bilbarnstolens indikator kommer att visa grönt. (15) Sidokrockskyddet som är borta från dörren kan stängas såsom visas i (16) när det inte används.
- ! Dra upp bilbarnstolen för att kontrollera att den sitter fast i basen.
- 9 - För att frigöra spädbarnsmodulen, dra upp den förstärkta bilbarnstolen medan du klämmer på bilbarnstolens frigöringsknapp. (17)

Höjdjustering

för huvudstöd och axelselen

Kontrollera att axelselens remmar är inställda på rätt höjd. Välj rätt par spår axelselen enligt barnets längd.

- ! Axelselens remmar måste vara närmast barnets axlar (18), men inte över axellinjen. (19)
- ! Om remmarna till axelselen inte är på rätt höjd kanske barnet åker ut ur den förstärkta bilstolen vid en krock.

Dra i huvudstödsspaken (20) och dra samtidigt upp eller skjut ner huvudstödet tills det snäpper på plats i en av de 7 olika positionerna. Huvudstödet positioner visas i (21).

Spänna fast barnet

Använd spädbarnsinsats



Efter att barnet placerats i sätet ska kontrolleras att axelselens remmar sitter på korrekt höjd göras.

- 1 - Medan du trycker på axelselens justeringsknapp, dra helt i axselens båda remmar på den förstärkta bilbarnstolen för spädbarn. (22)
- 2 - Lossa bältesspannet på axselen genom att trycka på den röda knappen. (23)
- 3 - Placera barnet i spädbarnsmodulen och lås spannet. (25) Se (24).
- 4 - Dra åt axselens remmar genom att dra i justeringsbandet. (26)
! Se till att utrymmet mellan barnet och axselen är som tjockleken på en hand.

Sufflett

- 1 - Dra upp dragkedjan på framsidan av sufflettens båge. (27)
- 2 - Dra ut dream drape™ från suffletten. (28)
- 3 - Fäst magneter i varje hörn på framsidan av bärmodulen för spädbarn med magneter. (29)
- 4 - Sufflettens fönster kan öppnas för ventilation. (30)

Borttagning och montering av mjuka delar

se bilder (31)-(42)

För att återmontera de mjuka delarna, utför de ovannämnda stegen i omvänd ordning.

Installation utan bas

- 1 - Installera **INTE** denna bilbarnstol för spädbarn i fordonssäten med höftbälten. (43)
- 2 - Denna bilbarnstol för spädbarn är endast lämplig för fordonssäten med utdragbara 3-punktsbälten (utan bas). (44)
- 3 - Placera bilbarnstolen för spädbarn på det säte i fordonet där du vill ha den. Dra i fordonets säkerhetsbälte och lås det i fordonets spänne. Dra sedan fordonets höftbälte genom sidoskenorna på bilbarnstolen för spädbarn. (45)
! Bilbarnstolen för spädbarn kan inte användas om fordonets säkerhetsspänne (honan) är för långt för att förankra spädbarnsmodulen ordentligt. (45)-1
- 4 - För in diagonalbältet i bakre skenan. (46)
- 5 - Dra ut axelbältet för att fästa spädbarnsmodulen stadigt och säkert. (47)
- 6 - Nivån på spädbarnsmodulen måste vara i nivå med marken när spädbarnsmodulen är installerad. (48)
! Dra åt fordonets säkerhetsbälte så mycket det går och kontrollera att det inte sitter löst eller är vridet.
! Efter installation av spädbarnsmodulen, kontrollera alltid att fordonsbälten är rätt dragna och säkert fastsatta i fordonets spänne. (49)

Flygplansinstallation

- ! Observera att barnets säkerhet inte garanteras om monteringsanvisningarna och bruksanvisningen inte följs.
- ! Notera att monteringen av spädbarnsmodulen i ett flygplan skiljer sig från monteringen i ett fordonssäte.
- ! Observera att monteringen av 2-punkts "höftbälte" endast är tillåtet i flygplan.
- ! Notera att spädbarnsmodulen måste ha säkerhetsbältet fastspänt även när den inte används.

! Notera att spädbarnsmodulen endast är avsedd för användning på ett passagerarsäte som flygbolaget godkänt.

! Varningar om att inte använda spädbarnsmodulen i områden där det finns krockkudde. (2)

! Notera att den bakåtvända spädbarnsmodulen endast skall monteras på passagerarsätet som är framåtvända. (50)

Monterabilstolen för spädbarn med flygplanssätets säkerhetsbälte:

1 - Placera spädbarnsmodulen i motsatt riktning till färdriktningen på passagerarsätet.

2 - Säkerställ att bärhandtaget är i översta läget.

3 - Placera säkerhetsbältet i de båda ljusblå bältesöppningarna.

4 - Stäng säkerhetsbältet (se flygbolagets säkerhetsinstruktioner).

5 - Dra åt säkerhetsbältet genom att dra i bältets ände. (51)

! Spännet på säkerhetsbältet får på inga villkor finnas inom de mörkgröna bältesguiderna. (52)

Borttagning:

Öppna säkerhetsbältet på passagerarsätet (se flygbolagets säkerhetsinstruktioner).

Nu kan du ta bort spädbarnsmodulen från passagerarsätet.

Rengöring och underhåll

Rengör ram, plast- och tygdelar med en fuktig trasa men använd inte slipmedel eller blekmedel. Använd inte silikonsmörjmedel eftersom de kan dra åt sig smuts och fett.

För att säkerställa att långvarig användning, torka av produkten med en mjuk absorberande trasa efter användning i regnigt väder.

Se skötseletiketterna på mjuka delar för information om tvätt och torkning.

Det är normalt att tyget färgas av solljus och visar slitage efter lång tids användning, även vid normal användning.

Av säkerhetsskäl, använd endast Nuna-delar.

Kontrollera regelbundet att allt fungerar korrekt. Om någon del är sliten, trasig eller saknas, sluta att använda produkten.

TÄRKEÄÄ!
SÄILYTÄ NÄMÄ
OHJEET TULEVAA
KÄYTTÖÄ VARTEN:
LUE HUOLELLISESTI

Sisältö

Tuotetiedot	229
Tuotteen rekisteröinti	
Takuu	
Yhteystiedot	
Lapsen käyttövaatimukset	230
Käytettäväksi alustan kanssa ja ilman alustaa	231
Varoitus	232
Osaluettelo	235
Tuotteen käyttö	237
Puhdistus ja kunnossapito	242

Tuotetiedot

Mallinumero: _____

Valmistuspäivämäärä: _____

Tuotteen rekisteröinti

Täytä seuraavat tiedot. Mallinumero ja valmistuspäivämäärä sijaitsevat PIPA nextin pohjassa ja PIPA nextin alustan päällä.

Rekisteröidäksesi tuotteesi, siirry sivustolle:

www.nunababy.com

Napsauta aloitussivulla linkkiä "Rekisteröi laite".

Takuu

Olemme tarkoituksellisesti suunnitelleet korkealaatuiset tuotteemme niin, että ne voivat kasvaa sekä lapsesi että perheesi kanssa. Koska seisomme tuotteemme takana, laitteillemme on tuotekohtainen mukautettu takuu, joka alkaa tuotteen ostopäivästä. Pidä ostotosite, mallinumero ja valmistuspäivämäärää käsillä, kun otat meihin yhteyttä.

Katso takuutiedot osoitteesta:

www.nunababy.com

Napsauta aloitussivulla "Takuu"-linkkiä.

Yhteyshiedot

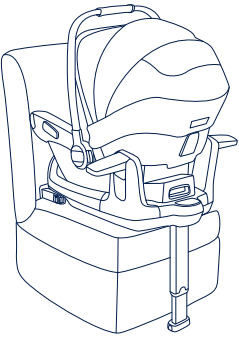
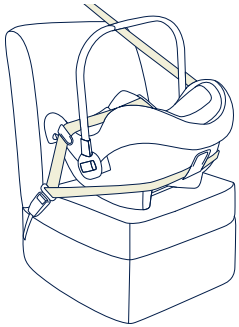
Ota yhteyttä vaihto-osiin, huoltoon ja lisätakuuseen liittyvissä kysymyksissä asiakaspalveluosastoomme.

info@nunababy.com

www.nunababy.com

Lapsen käyttövaatimukset

Tämä tuote soveltuu käytettäväksi lapsille, jotka täyttävät seuraavat vaatimukset:

Asennuskaavio:	Soveltuu
	Lapsen pituus 40–83 cm / Lapsen paino ≤13 kg (Noin 15 kuukauden ikäinen tai alle)
	Lapsen pituus 40–83 cm / Lapsen paino ≤13 kg Lapsen ikä ≤15 kuukautta

Käytettäväksi alustan kanssa ja ilman alustaa

- 1- "i-Size" (Integral Universal ISOFIX Enhanced Child Restraint Systems) on parannettu lapsen turvaistuinjärjestelmäluokka, joka on ensisijaisesti suunniteltu käytettäväksi kaikissa ajoneuvon i-Size-istuma-asennoissa.
- 2- Yhdistyneiden Kansakuntien säädöksen nro 129 mukaisesti tämä tuote on Universal ISOFIX-parannettu lapsen turvaistuin, joka tulee kiinnittää ISOFIX-liittimillä.
- 3- Tämä on "i-Size"-parannettu lapsen turvaistuinjärjestelmä. Se on hyväksytty Yhdistyneiden Kansakuntien säädöksen nro 129 mukaisesti käytettäväksi i-Size-yhteensopivissa istumasijainneissa, jotka ajoneuvon valmistaja on osoittanut ajoneuvon käyttöoppaassa.
- 4- Tämä on yleis-vyöllinen parannettu lasten turvajärjestelmä. Se on hyväksytty Yhdistyneiden Kansakuntien säädöksen nro 129:n mukaisesti käytettäväksi ensisijaisesti "yleis-istuinpaikoissa", kuten ajoneuvojen valmistajien ajoneuvon käyttöoppaissa on ilmoitettu.
- 5- Jollet ole varma, ota yhteyttä joko parannetun lapsen turvaistuimen valmistajaan tai jälleenmyyjään.
- 6- PIPA next -lasten turvajärjestelmä on yhteensopiva seuraavien tuotteiden kanssa:
 - PIPA next base
 - ARRA base
 - BASE next

Katso ARRA:n käyttöoppaasta ohjeet ARRA base asentamisesta.

Katso BASE next -käyttöoppaasta BASE next -tuotteen asennusohje.

VAROITUS

Näiden varoitusten ja ohjeiden huomiotta jättäminen voi johtaa vakavaan vammaan tai kuolemaan.

Kaikkien hihnojen, jotka kiinnittävät lapsenkantomoduulin istuimeen, tukijalan tulee olla kosketuksissa ajoneuvon lattiaan ja lasta paikallaan pitävien hihnojen tulee olla säädetty lapsen kehon mukaisesti. Hihnat eivät saa olla kiertyneitä.

Kun lapsi on asetettu tähän tehostettuun lasten turvajärjestelmään, turvavyötä on käytettävä oikein,

Kaikki matkatavarat tai muut esineet, jotka voivat aiheuttaa vammoja törmäystilanteessa, on kiinnitettävä kunnolla.

Varmista, että parannettu lapsen turvaistuin on asennettu niin, ettei mikään sen osa estä siirrettäviä istuimia tai ajoneuvon ovien käyttöä.

Varmista ennen vauvankantomoduulin kantamista käsin, että lapsi on kiinnitetty lapsivaljailla, ja että kahva on oikein lukittu pystyasentoon.

Ota yhteyttä jälleenmyyjään, jos tarvitaan kunnossapitoa, korjausta ja osien vaihtoa.

Oikea asennus on sallittu ainoastaan ISOFIX-liittimiä käyttämällä.

Tarkista ISOFIX-ohjainten likaantuminen säännöllisesti ja puhdista ne, jos on tarpeen. Lian, pölyn ja ruokajäämien jne. kertyminen voi heikentää luotettavuutta.

Tarkista ennen tämän parannetun lasten turvaistuimen ostamista, että sen voi asentaa oikein ajoneuvoosi.

Pidä tämä kankaalla päällystämätön parannettu lapsen turvaistuin poissa auringonpaisteesta, siitä voi tulla liian kuuma lapsen iholle. Tunnustele aina parannettua lapsen turvaistuinta ennen lapsen asettamista siihen.

Käyttääksesi tätä tehostettua lasten turvajärjestelmää ISOFIX-lukitusosien kanssa Yhdistyneiden Kansakuntien sääntö nro 129:n mukaisesti, lapsen on täytettävä seuraavat vaatimukset.

Lapsen pituus 40–83 cm / Lapsen paino ≤ 13 kg (noin 15 kuukautta tai nuorempi).

Käyttääksesi tätä vauvankantomoduulia turvavyön kanssa, lapsen on täytettävä seuraavat vaatimukset.

Lapsen paino ≤ 13 kg / Lapsen ikä ≤ 15 kuukautta.

Parannetun lapsen turvaistuimen pehmyttarvikkeita ei saa vaihtaa muihin kuin valmistajan suosittelemiin, koska pehmyttarvikkeet muodostavat kiinteän osan turvasuorituskyvystä.

Putoamisvaaran välttämiseksi varmista aina, että lapsella on yllään valjaat, kun hänet asetetaan vauvankantomoduuliin, vaikka parannettu lapsen turvaistuin ei olisi ajoneuvossa.

Vältä ääksesi vakavan vamman tai kuoleman, **ÄLÄ KOSKAAN** aseta vauvankantomoduulia kohotetulle alustalle lapsen ollessa sen sisällä.

Tämän parannetun lapsen turvaistuimen osia ei saa voidella millään tavoin.

Poista tämä vauvankantomoduuli alustoineen ajoneuvon istuimesta, kun sitä ei käytetä säännöllisesti.

Kiinnitä lapsi **AINA** parannettuun lapsen turvaistuimeen, lyhyilläkin matkoilla, koska juuri tällöin useimmat onnettomuudet tapahtuvat.

ÄLÄ KOSKAAN jätä lasta valvomatta tähän parannettuun lapsen turvaistuimeen.

ÄLÄ KOSKAAN käytä käytettyä parannettua lasten turvaistuinta tai sellaista, jonka historiaa et tiedä, koska siinä voi olla rakenteellinen vika, joka voi vaarantaa lapsen turvallisuuden.

ÄLÄ KOSKAAN käytä köysiä tai muita korvikkeita parannetun lapsen turvaistuimen kiinnittämiseen ajoneuvoon tai lapsen kiinnittämiseen parannettuun lapsen turvaistuimeen.

MIKÄÄN parannettu lasten turvaistuin ei takaa täyttä suojausta vammalta onnettomuudessa. Tämän parannetun lasten turvaistuimen oikea käyttö kuitenkin vähentää lapsen vakavan vamman tai kuoleman vaaraa.

ÄLÄ käytä taaksepäin suunnattua parannettua lapsen turvaistuinta istuimilla, joihin on asennettu aktiivinen frontaalinen turvatyyny. Seurauksena voi olla kuolema tai vakava vamma. Katso lisätietoja ajoneuvon käyttöoppaasta.

ÄLÄ aseta mitään esineitä alustan tukijalan alueelle.

ÄLÄ käytä muita kuormituspisteitä, kuin on kuvattu ohjeissa ja merkitty parannettuun lapsen turvaistuimeen.

ÄLÄ jatka tämän parannetun lapsen turvaistuimen käyttöä, jos se on ollut mukana minkään tyyppisessä kolarissa, edes vähäisessä. Vaihda tuote välittömästi, koska siinä voi kolarin seurauksena olla näkymätön, rakenteellinen vahinko.

ÄLÄ asenna tätä parannettua lapsen turvaistuinta noudattamatta tämän käyttöoppaan ohjeita, muuten saatat asettaa lapsen vakavaan loukkaantumisen tai kuoleman vaaraan.

ÄLÄ tee mukautuksia tähän parannettuun lapsen turvaistuimeen tai käytä sitä muiden valmistajien osien kanssa.

ÄLÄ käytä tätä parannettua lapsen turvaistuinta ilman pehmyttarvikkeita.

ÄLÄ käytä tätä parannettua lapsen turvaistuinta, jos se on vahingoittunut, tai jos siitä puuttuu osia.

ÄLÄ pue lasta liian suuriin vaatteisiin, se voi estää lapsen oikean ja turvallisen kiinnittämisen hartiaavajaisiin ja haarahihnaan jalkojen välissä.

ÄLÄ jätä tätä parannettua lapsen turvaistuinta tai muita kohteita ilman turvavyötä tai kiinnitystä ajoneuvoon, koska ilman kiinnitystä oleva parannettu lapsen turvaistuin voi sinkoutua irti ja vahingoittaa matkustajia jyrkässä käännöksessä, äkkipysäytyksessä tai törmäyksessä.

ÄLÄ aseta mitään muuta kuin suositellut sisätyyny tähän parannetun lapsen turvaistuimen sisään.

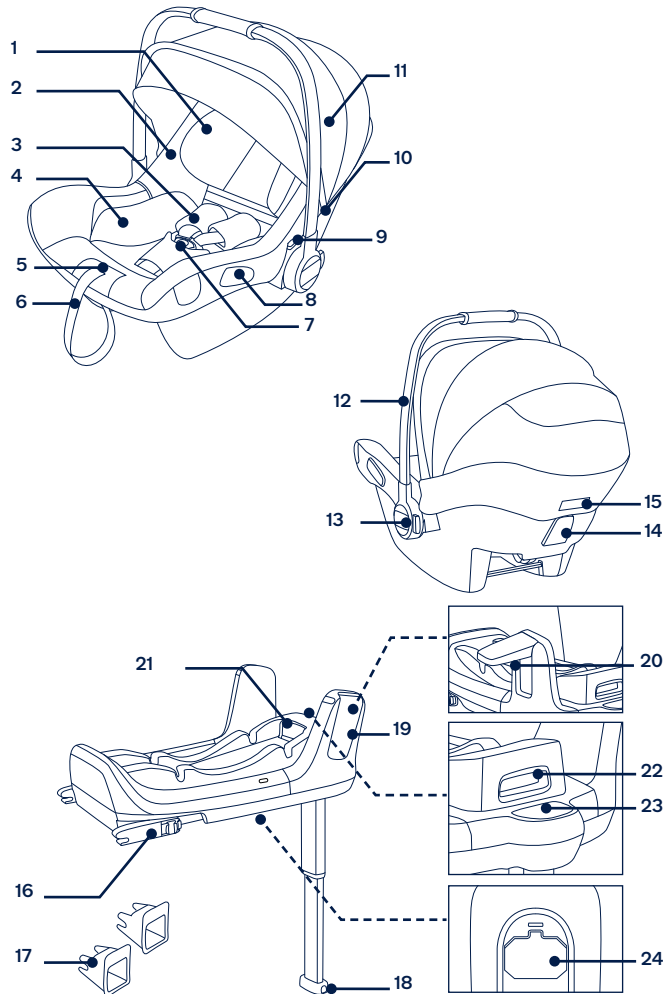
Käyttöohjeita on säilytettävä parannetussa lapsen turvaistuimessa koko sen käyttöiän.

Kiinnitä myös huomiota ajoneuvon valmistajan käsikirjan ohjeisiin ja varoituksiin.

Osaluettelo

Varmista ennen kokoamista, että kaikki osat ovat käytettävissä. Lapsenkantomoduuli ja alusta voidaan myydä erikseen. Jos jokin osa puuttuu, ota yhteyttä paikalliseen jälleenmyyjään. Kokoamiseen ei tarvita työkaluja.

- | | | | |
|----|-----------------------------------|----|-------------------------------------|
| 1 | Päätuki | 14 | Takaohjain |
| 2 | Istuintyyny | 15 | Lastenrattaiden vapautuspainike B |
| 3 | Hartiavaljaiden hihnat | 16 | ISOFIX-liitin |
| 4 | Vauvalisävaruste | 17 | ISOFIX-ohjaimet |
| 5 | Valjaiden säätöpainike | 18 | Tukijalan säätöpainike |
| 6 | Säätönauhakudos | 19 | Sivutörmäyssuoja |
| 7 | Turvasolki | 20 | Suojustaitteen takapainike |
| 8 | Sivuohjaimet | 21 | ISOFIX-säätöpainike |
| 9 | Lastenrattaiden vapautuspainike A | 22 | Vauvankantomoduulin vapautuspainike |
| 10 | Kuomun kiinnike | 23 | Tukijalan ilmaisin |
| 11 | Kuomu | 24 | Käyttöoppaan säilytyslokero |
| 12 | Kahva | | |
| 13 | Kahvapainike | | |



Tuotteen käyttö

Asennuksessa huomioitavaa

Tämä vauvankantomoduuli on sopiva ajoneuvon istuimille, joissa on i-Size ISOFIX-ankkuripisteet ja alusta. (1)

ÄLÄ käytä taaksepäin suunnattua parannettua lapsen turvaistuinta istuimilla, joihin on asennettu aktiivinen frontaalinen turvatyyny. Seurauksena voi olla kuolema tai vakava vamma. (2) Katso ajoneuvon käyttöoppaasta lisätietoja.

ÄLÄ asenna tätä parannettua lapsen turvaistuinta ajoneuvon istuimille, jotka ovat sivuttain tai taaksepäin ajoneuvon kulkusuuntaan nähden. (3)

On suositeltavaa asentaa tämä parannettu lapsen turvaistuin ajoneuvon takapenkille. (4)

ÄLÄ asenna tätä parannettua lapsen turvaistuinta ajoneuvon penkeille, jotka ovat siirrettäviä asennuksen aikana.

Kahvan säätö

- 1 - Vauvan kantomoduulin kahvan voi säätää 3 asentoon. (5)
- 2 - Purista kahvan säätämiseksi kahvapainikkeita molemmin puolin vapauttaaksesi sen. (6)-1
- 3 - Kierrä kahvaa niin, että se napsahtaa yhteen 3 asennosta. (6)-2

Asennus alustan kanssa

- 1 - Taita tukijalka esiin varastolokerosta. (7)
 - 2 - Kiinnitä ISOFIX-ohjaimet ISOFIX-ankkuripisteisiin. (8) ISOFIX-ohjaimet suojaavat ajoneuvon istuimen pintaa repeämisiltä. Ne myös ohjaavat ISOFIX-liittimiä.
 - 3 - Paina ISOFIX-säätöpainiketta säätääksesi ISOFIX-liittimiä. (9)
 - 4 - Kohdista ISOFIX-liittimet ISOFIX-ohjaimien kanssa ja napsauta sitten molemmat ISOFIX-liittimet ISOFIX-ankkuripisteisiin. (10)
- ! Varmista, että molemmat ISOFIX-liittimet on kiinnitetty pitävästi ISOFIX-ankkuripisteisiinsä. Liitettäessä tulisi kuulua kaksi naksahdusta ja molempien ISOFIX-merkkivalojen tulisi palaa vihreänä. (10)-1
- ! Varmista, että alusta on asennettu pitävästi vetämällä molemmista ISOFIX-liittimistä.

- 5 - Asetettuasi alustan ajoneuvon istuimelle, laajenna tukijalka lattiaan (11). Kun tukijalan merkkivalo palaa vihreänä, se on asennettu oikein, punainen tarkoittaa, että se on asennettu väärin. (11)-2
- ! Tukijalalla on 19 asentoa. Kun tukijalan merkkivalo palaa punaisena, tukijalka on väärässä asennossa.
- ! Varmista, että tukijalka on kokonaan kosketuksissa ajoneuvon lattialevyn kanssa.
- ! Lyhentääksesi tukijalkaa, purista tukijalan vapautuspainiketta ja vedä tukijalkaa ylöspäin. (11)-1
Kokonaan koottu alusta näkyy kuvassa (12).
- ! ISOFIX-liittimien tulee olla kiinni ja lukittuina ISOFIX-ankkuripisteisiin. (12)-1
- ! Tukijalka on asennettava oikein niin, että vihreä merkkivalo palaa. (12)-2
- 6 - Irrottaaksesi alustan, paina ensin toissijaista lukituspainiketta (13)-1 ja sen jälkeen (13)-2-painiketta liitinsalvoissa ennen alustan poistamista ajoneuvon istuimesta.
 - 7 - Paina ISOFIX-säätöpainiketta taittaaksesi ISOFIXin
 - 8 - Paina vauvankantomoduuli alas alustaan (14), jos parannettu lapsen turvaistuin on kiinni, sivutörmäyssuoja on auki ja parannetun lapsen turvaistuimen merkkivalo palaa vihreänä. (15) Sivutörmäyssuojan, joka on kauempana ovesta, voidaan sulkea, kuten kuvassa (16), kun sitä ei käytetä.
- ! Vedä vauvan kantomoduulia ylöspäin varmistaaksesi, että se on lukittu pitävästi alustaan.
- 9 - Vapauttaaksesi vauvankantomoduulin, vedä parannettu lapsen turvaistuin ylös samalla kun puristat vauvan kantomoduulin vapautuspainiketta. (17)

Korkeudensäätö

Päätuelle ja hartiavaljaille

Tarkista, että hartiavaljaiden hinnat on asetettu oikealle korkeudelle. Valitse sopivat hartiavaljaiden kiinnityskolot lapsen pituuden mukaan.

- ! Hartiavaljaiden hihnojen on oltava lähinnä lapsen hartioita (18), mutta ei hartialinjan yläpuolella. (19)

! Jos hartiavaljaiden hihnat eivät ole oikealla korkeudella, lapsi voi irrota parannetusta lapsen turvaistuimesta kolaritilanteessa.

Vedä päätuon säätövivusta (20) samalla, kun vedät ylös tai painat alas päätuokea, kunnes se napsahtaa yhteen 7 asennosta. Päätuon asennot on näytetty kuvassa (21).

Lapsen kiinnittäminen

Vauvalisävarusteen käyttö



Kun lapsi on asetettu istuimelle, tarkista ovatko hartiavaljaiden hihnat oikealla korkeudella.

- 1 - Samalla kun painat valjaiden säätöpainiketta, vedä kokonaan ulos kaksi parannetun lapsen turvaistuimen valjasta. (22)
 - 2 - Avaa valjaiden soljen lukitus painamalla punaista painiketta. (23)
 - 3 - Aseta lapsi vauvan kantomoduliin ja lukitse solki. (25) Katso (24).
 - 4 - Kiristä hartiavaljaan hihnat säätöhihnoista vetämällä. (26)
- ! Varmista, että tila lapsen ja hartiavaljaiden hihnojen välillä on noin yhden kämmenen paksuuden mittainen.

Kuomu

- 1 - Avaa etukuomun kaaren vetoketju. (27)
- 2 - Vedä dream drape™ ulos kuomusta. (28)
- 3 - Kiinnitä kaikkien kulmien magneetit lapsenkantomoduulin magneetteihin. (29)
- 4 - Kuomun ikkunan voi avata tuuletusta varten. (30)

Pehmyttarvikkeiden irrottaminen ja kokoaminen

katsokuvat(31)-(42)

Kootaksesi pehmyttarvikkeet uudelleen, toista aiemmin mainitut vaiheet päivittäisessä järjestyksessä.

Asennus ilman alustaa

- 1 - ÄLÄ asenna tätä lapsenkantomoduulia ajoneuvon istuimiin lantiovöillä. (43)
- 2 - Tämä lapsenkantomoduuli on sopiva vain ajoneuvon istuimille, joissa on kelauslaitteella varustettu 3-pisteturvavyö (ilman alustaa). (44)
- 3 - Aseta vauvankantomoduuli ajoneuvon istuimelle, johon haluat asettaa sen. Vedä ajoneuvon turvavyö ulos ja lukitse se ajoneuvon solkeen liu'uttanen ajoneuvon lantiovöytä vauvankantomoduulin sivuohjaimiin. (45)
- ! Vauvankantomoduulia ei voi käyttää, jos ajoneuvon turvavyön solki (naaras-solkipää) on liian pitkä vauvankantomoduulin pitävään ankkurointiin. (45)-1
- 4 - Liu'uta viistovyö takaohjaimen. (46)
- 5 - Vedä ajoneuvon hartiavyötä kiinnittääksesi lapsenkantomoduulin tiukasti ja pitävästi. (47)
- 6 - Lapsenkantomoduulin tasasuviivan on oltava vaakasuorassa maahan nähden, kun lapsenkantomoduuli on asennettu. (48)
- ! Kiristä ajoneuvon turvavyötä niin paljon kuin mahdollista ja tarkista, ettei se ole löysä tai kiertynyt.
- ! Tarkista aina lapsenkantomoduulin asentamisen jälkeen, että ajoneuvon turvavyöt on reititetty oikein ja kiinnitetty tiukasti ajoneuvon solkiin. (49)

Lentokoneasennus

- ! Huomaa, että jos asennus- ja käyttöoppaan ohjeita ei noudateta, lapsen turvallisuutta ei voi taata.
- ! Huomaa, että lapsenkantomodulin asentaminen lentokoneen istuimelle eroaa asentamisesta auton istuimelle.
- ! Huomaa, että 2-pisteturvavyö on sallittu vain lentokoneessa.
- ! Huomaa, että lapsenkantomodulin on oltava turvavyöllä kiinnitettynä lentokoneen istuimeen, vaikka lapsi ei olisi siinä.
- ! Huomaa, että lapsenkantomodulia voi käyttää vain matkustajaistuimella, joka on lentoyhtiön valtuuttama
- ! Varoitukset lapsenkantomodulin käyttökiellosta turvatyynyn käyttöalueella. (2)
- ! Huomaa, että taaksepäin suunnattu lapsenkantomoduli tulee asentaa vain eteenpäin suunnattuihin matkustajan istuimiin. (50)

Lapsenkantomodulin asentaminen lentokoneen istuimen turvavyöllä:

- 1- Sijoita lapsenkantomoduli matkustajan istuimelle vastapäätä lentosuuntaan nähden.
 - 2- Varmista, että kantokahva on ylimmässä asennossa.
 - 3- Sijoita turvavyö molempiin vyönohjaimiin.
 - 4- Kiinnitä turvavyö (katso lentoyhtiön turvallisuusohjeet).
 - 5- Kiristä turvavyö vetämällä vyön päästä. (51)
- ! Turvavyön solki ei missään olosuhteissa saa jäädä tummanvihreiden vyönohjainten sisään. (52)

Irrottaminen:

Avaa matkustajan istuimen turvavyö (katso lentoyhtiön turvallisuusohjeet). Nyt voit ottaa lapsenkantomodulin matkustajan istuimelta.

Puhdistus ja kunnossapito

Puhdista kehikko, muovioista ja kangas kostealla liinalla, mutta älä käytä hiovia aineita tai valkaisuainetta. Älä käytä silikonivoiteluaineita, sillä niihin tarttuu likaa ja nokea.

Varmistaaksesi tuotteen pitkän käyttöiän, pyyhi se pehmeällä, imukykyisellä liinalla sateessa käytön jälkeen.

Katso pehmyttarvikkeisiin kiinniteytyistä hoitotarroista pesu- ja kuivausohjeet.

Kankaan haalistuminen auringonvalon vaikutuksesta ja kulumisen merkit pitkän käytön jälkeen on normaalia, vaikka tuotetta käytettäisiin normaalisti.

Käytä turvallisuusyistä ainoastaan alkuperäisiä Nuna-osia.

Tarkista säännöllisesti, että kaikki toimii oikein. Lopeta tämän tuotteen käyttö, jos mikään osa on revennyt, rikkoutunut tai puuttuu.

IMPORTANT!
PĂSTRATI ACESTE
INSTRUCȚIUNI
PENTRU CONSULTARE
ULTERIOARĂ:
CITIȚI CU ATENȚIE

Cuprins

Informații despre produs	245
Înregistrare produs	
Garanție	
Contact	
Cerințe de utilizare pentru copii	246
Pentru utilizare cu Bază și fără Bază	247
Avertisment	248
Lista componentelor	251
Utilizarea produsului	253
Curățare și întreținere	258

Informații despre produs

Număr model: _____

Data fabricației: _____

Înregistrare produs

Vă rugăm să completați informațiile de mai sus. Numărul modelului și data fabricației se află în partea de jos a PIPA lângă și PIPA lângă bază.

Pentru a înregistra produsul, vizitați:

www.nunababy.com

Faceți clic pe linkul „Înregistrare echipament” de pe pagina principală.

Garanție

Am conceput intenționat produsele noastre de înaltă calitate astfel încât acestea să se poată dezvolta odată cu copilul și familia dvs. Deoarece ne susținem produsul, dispozitivul este acoperit de o garanție personalizată pentru fiecare produs, începând cu ziua în care a fost achiziționat. Vă rugăm să aveți dovada achiziției, numărul modelului și data fabricației disponibilă când ne contactați.

Pentru informații referitoare la garanție, vă rugăm să vizitați:

www.nunababy.com

Faceți clic pe linkul „Garanție” de pe pagina de pornire.

Contact

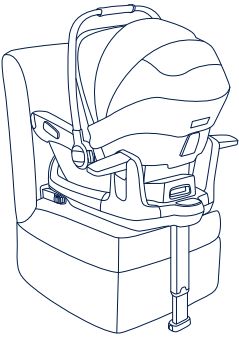
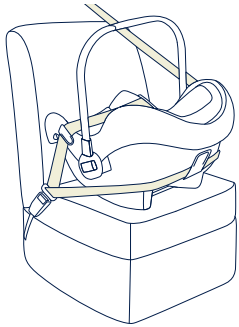
Pentru piese de schimb, service, sau întrebări suplimentare despre garanție, vă rugăm să contactați departamentul nostru de servicii pentru clienți.

info@nunababy.com

www.nunababy.com

Cerințe de utilizare pentru copii

Acest produs este adecvat pentru utilizare de către copii care îndeplinesc următoarele condiții:

Figura pentru instalare	Adecvat pentru
	Înălțime copil 40cm - 83cm /Greutate copil ≤ 13kg (de aproximativ 15 luni sau sub 15 luni)
	Înălțime copil 40cm - 83cm/ Greutatea copilului ≤ 13kg Vârsta copilului ≤ 15 luni

Pentru utilizare cu Bază și fără Bază

- 1- „i-Size” (sisteme de siguranță îmbunătățite pentru copii integrale universale ISOFIX) este o categorie de sisteme de siguranță îmbunătățite pentru copii special proiectate pentru a fi utilizate în toate pozițiile de ședere i-Size ale unui vehicul.
 - 2- Conform Regulamentului ONU nr. 129, sistemul de siguranță îmbunătățit pentru copii cu bază este un sistem universal ISOFIX de siguranță îmbunătățit pentru copii și trebuie montat cu ajutorul racordurilor ISOFIX.
 - 3- Acesta este un sistem de siguranță îmbunătățit pentru copii „i-Size”. Acesta este omologat în temeiul regulamentului ONU nr. 129 pentru utilizare în poziții așezate într-un vehicul compatibil i-Size, astfel cum este indicat de către producătorul vehiculului în manualul utilizatorului vehiculului.
 - 4- Acesta este un sistem universal îmbunătățit de siguranță pentru copii, cu centuri. Este aprobat în conformitate cu Regulamentul ONU nr. 129, pentru utilizare în primul rând în „poziții de ședere universale” conform indicațiilor producătorilor de vehicule din manualul de utilizare a vehiculului.
 - 5- În caz de nelămuriri, consultați fabricantul sau vânzătorul sistemului de siguranță îmbunătățită pentru copii.
 - 6- Sistemul de siguranță pentru copii PIPA next este compatibil cu:
 - PIPA next base
 - ARRA base
 - BASE next
- Consultați manualul de instrucțiuni ARRA pentru instalarea ARRA base.
- Consultați manualul de instrucțiuni BASE next pentru instalarea BASE next.

⚠️ AVERTISMENT

Nerespectarea acestor avertismente și instrucțiuni poate duce la vătămări corporale grave sau deces.

Toate bretelele care susțin modulul de fixare pentru sugari în vehicul trebuie să fie bine strânse, piciorul de rezistență trebuie să fie în contact cu podeaua vehiculului, iar chingile care asigură copilul trebuie ajustate potrivit corpului copilului. Chingile nu trebuie să fie răsucite.

După ce copilul este plasat în acest sistem îmbunătățit de siguranță pentru copii, centura de siguranță trebuie să fie utilizată în mod corect.

Orice bagaj sau alte obiecte care ar putea provoca răniri în caz de coliziune trebuie să fie fixate în mod corespunzător.

Asigurați-vă că sistemul de fixare îmbunătățit pentru copii este instalat astfel încât nicio parte a acestuia să nu interfereze cu scaunele mobile sau cu funcționarea ușilor vehiculului.

Înainte de a purta în mână modulul de transport pentru sugari, asigurați-vă că copilul este fixat cu hamul pentru copii și că mânerul este bine blocat într-o poziție verticală.

Consultați distribuitorul pentru probleme legate de întreținere, reparații și înlocuirea pieselor.

Instalarea corectă este permisă numai prin utilizarea conexiunilor ISOFIX.

Verificați frecvent ghidajele ISOFIX să nu fie murdare și curățați-le, dacă este necesar. Fiabilitatea poate fi afectată de pătrunderea murdăriei, a prafului, a particulelor de alimente etc.

Verificați înainte de a achiziționa acest sistem de fixare pentru copii îmbunătățit, pentru a vă asigura că acesta poate fi instalat corect în vehiculul dvs.

Vă rugăm să păstrați acest sistem de fixare pentru copii îmbunătățit fără acoperitoare textilă ferit de lumina soarelui, deoarece poate fi prea fierbinte pentru pielea copilului. Atingeți întotdeauna Sistemul de fixare pentru copii îmbunătățit înainte de a pune copilul în acesta.

Pentru a utiliza acest sistem îmbunătățit de siguranță pentru copii cu conexiunile ISOFIX în conformitate cu Regulamentul ONU nr. 129, copilul trebuie să îndeplinească următoarele cerințe.

Înălțimea copilului 40 cm - 83 cm/Greutatea copilului ≤ 13 kg (în vârstă de aproximativ 15 luni sau mai puțin).

Pentru a utiliza acest modul de transport pentru sugari cu centura vehiculului, copilul trebuie să îndeplinească următoarele cerințe.

Greutatea copilului ≤ 13 kg/Vârsta copilului ≤ 15 luni.

Componentele moi ale sistemului de fixare pentru copii îmbunătățit nu trebuie să fie înlocuite decât cu cele recomandate de producător, deoarece componentele moi sunt parte integrantă a performanței sistemului de fixare.

Pentru a evita riscul de cădere, asigurați-vă întotdeauna copilul folosind hamul pentru copii atunci când copilul este pus în modulul de transport pentru sugari, chiar dacă sistemul de fixare pentru copii îmbunătățit nu se află în vehicul.

Pentru a evita vătămările corporale grave sau decesul, nu plasați **NICIODATĂ** modulul de transport pentru sugari pe un scaun cu suprafață înaltă când copilul se află în acesta.

Componentele acestui sistem de fixare pentru copii îmbunătățit nu trebuie lubrificate.

Scoateți acest modul de transport pentru sugari și baza de pe scaunul vehiculului atunci când nu sunt utilizate în mod curent.

Asigurați **ÎNTOTDEAUNA** copilul în sistemul de fixare pentru copii îmbunătățit, chiar și în călătorii scurte, deoarece în acestea au loc cele mai multe accidente.

NU vă lăsați **NICIODATĂ** copilul nesupravegheat în acest sistem de fixare pentru copii îmbunătățit.

NU utilizați **NICIODATĂ** un sistem de fixare pentru copii second-hand sau un sistem de fixare pentru copii îmbunătățit al cărui istoric nu îl cunoașteți, deoarece poate prezenta daune structurale care pun în pericol sănătatea copilului dvs.

NU utilizați **NICIODATĂ** sfuri sau orice alți înlocuitori pentru a asigura sistemul de fixare pentru copii îmbunătățit în vehicul sau pentru a asigura copilul într-un sistem de fixare pentru copii îmbunătățit.

NICIUN sistem de fixare pentru copii îmbunătățit nu poate garanta protecția completă împotriva rănirii într-un accident. Cu toate acestea, utilizarea corectă a acestui sistem de fixare pentru copii îmbunătățit va reduce riscul rănirii grave sau al decesului pentru copil.

NU utilizați sistemele de fixare pentru copii îmbunătățite orientate cu spatele pe scaunele echipate cu airbag frontal activ. Acesta poate cauza decesul sau vătămarea gravă. Consultați manualul de utilizare al vehiculului pentru mai multe informații.

NU plasați niciun obiect în zona picioarelor de fixare în fața bazei.

NU utilizați niciun punct de contact pentru suportul sarcinii decât cele descrise în instrucțiuni și marcate pe sistemul de fixare pentru copii îmbunătățit.

NU continuați să folosiți acest sistem de fixare pentru copii îmbunătățit după ce a suferit orice tip de accident, chiar unul minor. Înlocuiți-l imediat, deoarece pot exista deteriorări invizibile, structurale cauzate de accident.

NU instalați acest sistem de fixare pentru copii îmbunătățit fără a urma instrucțiunile din acest manual, în caz contrar vă puteți expune copilul la un risc serios de rănire sau deces.

NU efectuați modificări la acest sistem de fixare pentru copii îmbunătățit și nu îl folosiți împreună cu componentele altor producători.

NU utilizați sistemul de fixare pentru copii îmbunătățit fără componentele moi.

NU utilizați sistemul de fixare pentru copii îmbunătățit dacă acesta are componente deteriorate sau lipsă.

NU îmbrăcați copilul cu haine largi/prea mari, deoarece acest lucru poate împiedica fixarea corectă și sigură a copilului cu bretelele hamului de umeri și cureaua pentru coapse între picioare.

NU lăsați acest sistem de fixare pentru copii îmbunătățit sau alte articole nefixate sau neasigurate în vehiculul dvs. deoarece un sistem neasigurat de fixare pentru copii îmbunătățit poate fi aruncat și poate răni ocupanții la un viraj scurt, o oprire bruscă sau o coliziune.

NU puneți altceva decât pernele interioare recomandate în acest sistem de fixare pentru copii îmbunătățit.

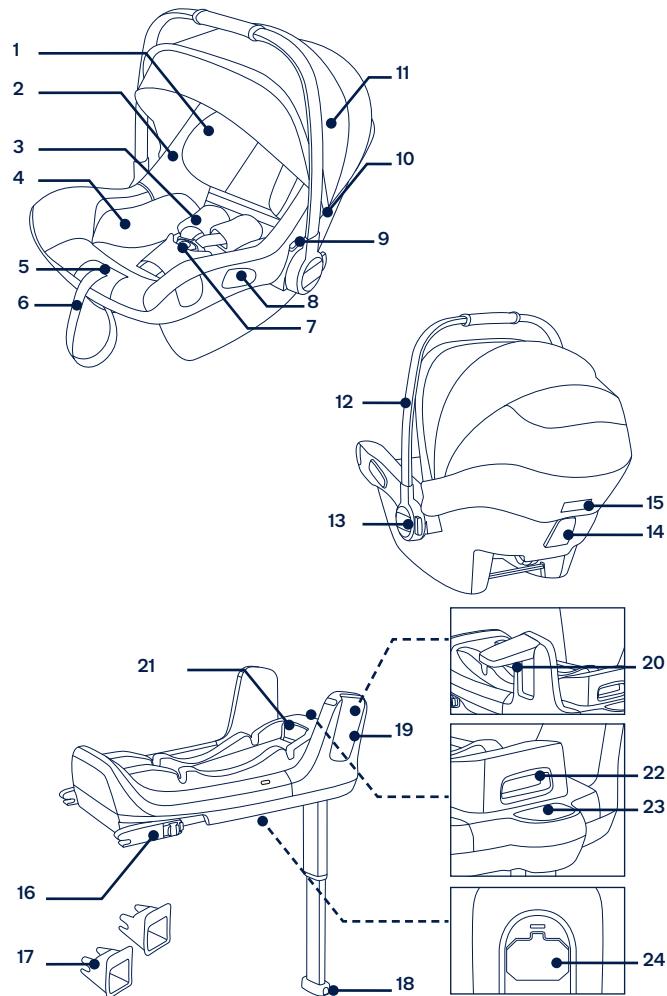
Instrucțiunile trebuie păstrate împreună cu sistemul de siguranță de-a lungul întregii sale durate de viață.

De asemenea, acordați atenție instrucțiunilor și avertismentelor din manualul producătorului vehiculului.

Lista componentelor

Înainte de montare, asigurați-vă că aveți toate componentele. Modulul de transport al copilului și baza pot fi comercializate separat. Dacă lipsește o componentă, contactați vânzătorul local. Montajul nu necesită niciun fel de scule.

- | | | | |
|----|--------------------------------------|----|---|
| 1 | Suport pentru cap | 14 | Ghidaj spate |
| 2 | Perna pentru scaun | 15 | Buton B de eliberare pentru cărucior |
| 3 | Curele pentru hamul de umăr | 16 | Conector ISOFIX |
| 4 | Inserție pentru copii | 17 | Ghidaje ISOFIX |
| 5 | Buton de reglaj ham | 18 | Buton de reglaj picior de fixare |
| 6 | Chingă de reglaj | 19 | Scut de impact lateral |
| 7 | Cataramă de siguranță | 20 | Buton de pliere a scutului |
| 8 | Ghidaj lateral | 21 | Buton de reglaj ISOFIX |
| 9 | Buton A de eliberare pentru cărucior | 22 | Buton de eliberare al modulului de transport pentru copii |
| 10 | Suport de montare a copertinei | 23 | Indicator picior de fixare |
| 11 | Baldachin | 24 | Compartimentul de depozitare a manualului de instrucțiuni |
| 12 | Mâner | | |
| 13 | Buton mâner | | |



Utilizarea produsului

Probleme de instalare

Acest modul de transport pentru sugari este adecvat pentru scaunele vehiculului cu puncte de ancorare ISOFIX la bază. (1)

NU utilizați sistemele de fixare pentru copii îmbunătățite orientate cu spatele pe scaunele echipate cu airbag frontal activ. Acesta poate cauza decesul sau vătămarea gravă. (2) Consultați manualul de utilizare al vehiculului pentru mai multe informații.

NU instalați acest sistem de fixare pentru copii îmbunătățit pe scaunele vehiculului care sunt orientate în lateral sau spre spate în raport cu direcția de deplasare a vehiculului. (3)

Se recomandă instalarea acestui sistem de fixare pentru copii îmbunătățit pe scaunul din spate al vehiculului. (4)

NU instalați acest sistem de fixare pentru copii îmbunătățit pe scaunele mobile ale vehiculului în timpul instalării.

Reglarea mânerului

- 1 - Mânerul modulului de transport pentru sugari poate fi reglat în 3 poziții. (5)
- 2 - Pentru a regla mânerul, apăsați butoanele mânerului de pe ambele părți pentru a-l elibera. (6)-1
- 3 - Rotiți mânerul până când face clic în oricare dintre cele 3 poziții. (6)-2

Instalare cu bază

- 1 - Desfășurați piciorul de fixare din compartimentul de depozitare. (7)
- 2 - Fixați ghidajele ISOFIX în punctele de ancorare ISOFIX. (8) Ghidajele ISOFIX pot proteja suprafața scaunului vehiculului împotriva rușerii. Acestea pot ghida, de asemenea, conexiunile ISOFIX.
- 3 - Apăsați Butonul de reglare ISOFIX pentru a regla conexiunile ISOFIX. (9)
- 4 - Aliniați conexiunile ISOFIX cu ghidajele ISOFIX și apoi fixați până fac clic în poziție ambele conexiuni ISOFIX în punctele de ancorare ISOFIX. (10)

! Asigurați-vă că ambele conexiuni ISOFIX sunt atașate în siguranță în punctele de ancorare ISOFIX. Ar trebui să se audă două clicuri, iar culorile indicatorilor de pe ambele conexiuni ISOFIX trebuie să fie complet verzi. (10)-1

! Verificați pentru a vă asigura că baza este bine instalată trăgând de ambele conexiuni ISOFIX.

- 5 - După ce așezați baza pe scaunul vehiculului, extindeți piciorul de fixare până la podea (11). Când indicatorul piciorului de fixare arată verde, înseamnă că este instalat corect, roșu înseamnă că este instalat incorect. (11)-2

! Piciorul de fixare are 19 poziții. Atunci când indicatorul piciorului de fixare arată roșu, înseamnă că piciorul de fixare este în poziția greșită.

! Asigurați-vă că piciorul de fixare este în contact complet cu podeaua vehiculului.

! Pentru a scurta piciorul de fixare, apăsați butonul de eliberare a piciorului de fixare și trageți piciorul de fixare în sus. (11)-1
Baza asamblată complet este indicată ca (12).

! Conexiunile ISOFIX trebuie atașate și blocate în punctele de ancorare ISOFIX. (12)-1

! Piciorul de fixare trebuie instalat corect cu indicatorul verde. (12)-2

- 6 - Pentru a scoate baza, apăsați întâi butonul de blocare secundar (13)-1 și apoi butonul (13)-2 de pe conectorii opritorului înainte de a scoate baza de pe scaunul vehiculului.

- 7 - Apăsați butonul de reglare ISOFIX pentru a plia ISOFIX.

- 8 - Împingeți modulul de transport pentru sugari înapoi în bază (14), dacă sistemul de fixare pentru copii îmbunătățit este asigurat, scutul pentru impact lateral va fi deschis iar indicatorul sistemului de fixare pentru copii îmbunătățit arată verde. (15) Scutul pentru impact lateral care este departe de ușă poate fi închis așa cum se arată în (16) când nu îl utilizați.

! Trageți în sus modulul de transport pentru sugari, pentru a vă asigura că este bine fixat în bază.

- 9 - Pentru a elibera modulul de transport pentru sugari, trageți în sus sistemul de fixare pentru copii îmbunătățit în timp ce apăsați butonul de eliberare a modulului de transport pentru sugari. (17)

Reglarea înălțimii

pentru Suportul pentru cap și Hamul de umăr

Verificați dacă bretelele hamului de umăr sunt poziționate la înălțimea corectă. Vă rugăm să alegeți perechea corespunzătoare de fante pentru ham de umăr, în funcție de înălțimea copilului.

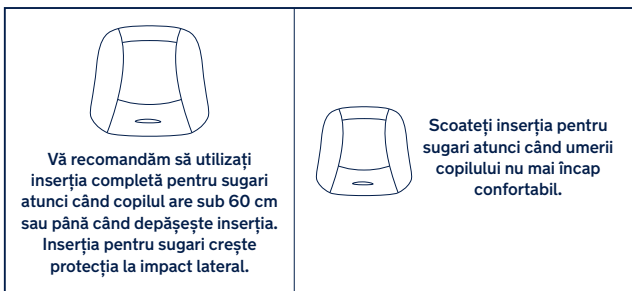
! Bretelele hamului de umăr trebuie să se afle aproape de umerii copilului (18), dar nu deasupra liniei umerilor. (19)

! Dacă bretelele hamului de umăr nu sunt la înălțimea corespunzătoare, copilul ar putea fi proiectat din sistemul de fixare pentru copii îmbunătățit în cazul unui accident.

Trageți maneta de reglare a suportului pentru cap (20), în timp ce trageți în sus sau împingeți în jos suportul pentru cap până când se fixează în una dintre cele 7 poziții. Pozițiile de sprijin pentru cap sunt afișate ca (21).

Fixarea copilului

Folosiți inserția pentru sugari



După ce copilul este plasat în scaun, verificați dacă bretelele hamului de umăr sunt la înălțimea corespunzătoare.

- 1 - În timp ce apăsați butonul de reglare a hamului, trageți complet cele două bretele ale hamului de umăr din sistemul de fixare pentru copii îmbunătățit. (22)
 - 2 - Deblocați catarama hamului apăsând butonul roșu. (23)
 - 3 - Plasați copilul în modulul de transport pentru sugari și blocați catarama. (25) Consultați (24).
 - 4 - Strângeți bretelele hamului de umăr trăgând de chingile de reglare. (26)
- ! Asigurați-vă ca spațiul dintre copil și bretelele hamului de umăr să fie de aproximativ grosimea unei mâini.

Baldachin

- 1 - Deschideți fermoarul de pe arcu baldachinului față. (27)
- 2 - Scoateți dream drape™ din baldachin. (28)
- 3 - Atașați magneți la fiecare colț în fața modulului de transport pentru sugari cu magneți. (29)
- 4 - Fereastra baldachinului poate fi deschisă pentru ventilație. (30)

Detășarea și Asamblarea componentelor moi

consultați imaginile (31)-(42)

Pentru a reasambla componentele moi, realizați în sens invers pași menționați mai sus.

Instalare fără bază

- 1 - NU instalați acest modul de transport pentru sugari pe scaunele vehiculului cu centuri pentru bazin. (43)
- 2 - Acest modul de transport pentru sugari este adecvat numai pentru scaunele vehiculului dotate cu centură de siguranță retractabilă în 3 puncte (fără bază). (44)
- 3 - Plasați modulul de transport pentru sugari pe scaunul vehiculului pe care doriți să îl instalați. Trageți centura de siguranță a vehiculului în afară și fixați-o în catarama vehiculului, glisând centura de siguranță pentru bazin prin ghidajele laterale ale modulului de transport pentru sugari. (45)
! Modulul de transport pentru sugari nu poate fi utilizat când catarama centurii de siguranță a vehiculului (capătul cataramei mamă) este prea lung pentru a ancora modulul de transport pentru sugari în siguranță. (45)-1
- 4 - Glisați centura diagonală în ghidajul spate. (46)
- 5 - Trageți centura pentru umăr a vehiculului pentru a fixa modulul de transport pentru sugari ferm și în siguranță. (47)
- 6 - Linia de nivel de pe modulul de transport pentru sugari trebuie să fie paralelă cu solul atunci când modulul de transport pentru sugari este instalat. (48)
! Tensionați centura de siguranță a vehiculului cât mai mult posibil, verificând să nu fie slăbită sau răsucită.

- ! După instalarea modului de transport pentru sugari, verificați întotdeauna ca centurile vehiculului să fie rulate corect și fixate în siguranță în cataramă vehiculului. (49)

Instalarea în avion

- ! Rețineți că dacă nu se respectă manualul de instalare și instrucțiuni, siguranța copilului nu este garantată.
- ! Rețineți că instalarea modului de transport pentru sugari pe un scaun de avion diferă de instalarea pe un scaun auto.
- ! Rețineți că atașarea „centurii de bazin” în 2 puncte este permisă numai în avion.
- ! Rețineți că modulul de transport pentru sugari trebuie să rămână fixat cu centura pe scaunul din avion chiar și atunci când nu este ocupat.
- ! Rețineți că modulul de transport pentru sugari este destinat utilizării numai pe un scaun de pasager autorizat de către compania aeriană.
- ! Avertismente de a nu se folosi modulul de transport pentru sugari în zona de desfășurare airbag-ului. (2)
- ! Rețineți că modulul de transport pentru sugari orientat spre spate trebuie să fie instalat numai pe scaunele pentru pasageri orientate cu fața înainte. (50)

Cum se instalează modulul de transport pentru sugari folosind centura de siguranță a scaunului avionului:

- 1 - Plasați modulul de transport pentru sugari în sens opus direcției de zbor pe scaunul pasagerului.
- 2 - Asigurați-vă că mânerul de transport se află în poziția cea mai de sus.
- 3 - Plasați centura de siguranță în ambele ghidaje ale centurii.
- 4 - Închideți centura de siguranță (consultați instrucțiunile de siguranță ale companiei aeriene).
- 5 - Fixați centura de siguranță trăgând de capătul centurii. (51)
 - ! Catarama centurii de siguranță nu trebuie, în nicio împrejurare, să se afle între ghidajele de culoare verde închis. (52)

Demontare:

Desfaceți centura de siguranță a scaunului pasagerului (consultați instrucțiunile de siguranță ale companiei aeriene).

Acum puteți lua modulul de transport pentru sugari de pe scaunul pasagerului.

Curățare și întreținere

Curățați cadrul, piesele din plastic și materialul cu o cârpă umedă, dar nu folosiți abrazivi sau înălbitori. Nu utilizați lubrifianți cu silicon, deoarece aceștia vor atrage praful și murdăria.

Pentru a asigura o utilizare de lungă durată, ștergeți acest produs cu o cârpă moale, absorbantă după folosirea acestuia pe vreme ploioasă.

Consultați etichetele de îngrijire atașate componentelor moi pentru instrucțiuni de spălare și uscare.

Este normal ca țesăturile să-și schimbe culoarea de la lumina soarelui și să prezinte uzură după o lungă perioadă de utilizare, chiar și atunci când sunt utilizate în mod normal.

Din motive de siguranță, utilizați numai piese de schimb originale Nuna.

Verificați în mod regulat dacă totul funcționează corespunzător. Dacă vreo componentă este ruptă, distrusă sau lipsește, nu mai utilizați acest produs.

**ΣΗΜΑΝΤΙΚΟ!
ΦΥΛΑΞΤΕ ΑΥΤΕΣ
ΤΙΣ ΟΔΗΓΙΕΣ ΓΙΑ
ΜΕΛΛΟΝΤΙΚΗ ΧΡΗΣΗ:
ΔΙΑΒΑΣΤΕ
ΠΡΟΣΕΚΤΙΚΑ**

Περιεχόμενα

Πληροφορίες προϊόντος	261
Καταχώρηση προϊόντος	
Εγγύηση	
Επικοινωνία	
Απαιτήσεις χρήσης	262
Για χρήση με και χωρίς βάση	263
Προειδοποίηση	264
Κατάλογος εξαρτημάτων	268
Χρήση προϊόντος	270
Καθαρισμός και συντήρηση	275

Πληροφορίες προϊόντος

Αριθμός μοντέλου: _____

Ημερομηνία κατασκευής: _____

Καταχώριση προϊόντος

Συμπληρώστε τις παραπάνω πληροφορίες. Ο αριθμός μοντέλου και η ημερομηνία κατασκευής αναγράφονται στο κάτω μέρος του PIPA next και βάσης του PIPA next.

Για να καταχωρίσετε το προϊόν σας, επισκεφτείτε τη διεύθυνση:

www.nunababy.com

Κάντε κλικ στον σύνδεσμο “Εξοπλισμός” στην αρχική σελίδα.

Εγγύηση

Σχεδιάζουμε τα υψηλής ποιότητας προϊόντα μας με σκοπό να μπορούν να αναπτυχθούν μαζί με το παιδί σας και την οικογένειά σας. Επειδή προσφέρουμε υποστήριξη, τα προϊόντα μας καλύπτονται από μια προσαρμοσμένη εγγύηση ανά προϊόν, η οποία ξεκινά από την ημέρα αγοράς. Παρακαλείστε να έχετε διαθέσιμα την απόδειξη αγοράς, τον αριθμό μοντέλου και την ημερομηνία κατασκευής, όταν επικοινωνείτε μαζί μας.

Για πληροφορίες σχετικά με την εγγύηση, επισκεφθείτε τη διεύθυνση:

www.nunababy.com

Κάντε κλικ στον σύνδεσμο “Εγγύηση” στην αρχική σελίδα.

Επικοινωνία

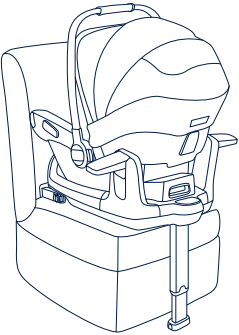
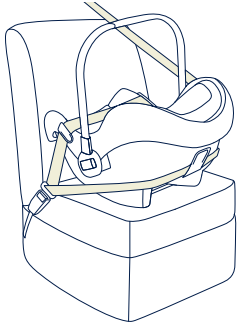
Για τα ανταλλακτικά, επισκευές ή πρόσθετες ερωτήσεις εγγύησης, επικοινωνήστε με το τμήμα εξυπηρέτησης πελατών μας.

info@nunababy.com

www.nunababy.com

Απαιτήσεις χρήσης

Το προϊόν είναι κατάλληλο για χρήση με παιδιά που πληρούν τις ακόλουθες απαιτήσεις:

Εικόνα εγκατάστασης	Κατάλληλο για
	Ύψος παιδιού 40-83 εκ. / Βάρος παιδιού ≤13 κιλά (περίπου 15 μηνών ή λιγότερο)
	Ύψος παιδιού 40-83 εκ. / Βάρος παιδιού ≤13 κιλά Ηλικία παιδιού ≤ 15 μήνες

Για χρήση με και χωρίς βάση

- 1- Το «i-Size» (Ενσωματωμένα καθολικά συστήματα συγκράτησης ISOFIX για παιδιά) αποτελεί κατηγορία στα Παιδικά Καθίσματα Ασφαλείας και έχει σχεδιαστεί κυρίως για χρήση σε όλες τις θέσεις καθίσματος i-Size ενός οχήματος.
- 2- Σύμφωνα με τον Κανονισμό 129 του ΟΗΕ, το ενισχυμένο παιδικό κάθισμα ασφαλείας με βάση αποτελεί ένα Γενικό Παιδικό Κάθισμα Ασφαλείας ISOFIX και πρέπει να τοποθετείται χρησιμοποιώντας τους συνδέσμους ISOFIX.
- 3- Το συγκεκριμένο αποτελεί Ενισχυμένο Παιδικό Κάθισμα Ασφαλείας «i-Size». Έχει εγκριθεί από τον Κανονισμό 129 του ΟΗΕ, για χρήση σε θέσεις καθίσματος οχημάτων συμβατές με i-Size, όπως υποδηλώνεται από τους κατασκευαστές του οχήματος στο εγχειρίδιο χρήστη του οχήματος.
- 4- Το συγκεκριμένο αποτελεί Γενικό Παιδικό Κάθισμα Ασφαλείας με ζώνη. Έχει εγκριθεί σύμφωνα με τον Κανονισμό 129 του ΟΗΕ, για χρήση κυρίως στις «Θέσεις καθίσματος universal» όπως υποδηλώνεται από τους κατασκευαστές του οχήματος στο εγχειρίδιο χρήστη του οχήματος.
- 5- Σε περίπτωση αμφιβολίας, συμβουλευτείτε είτε τον κατασκευαστή του παιδικού καθίσματος ασφαλείας ή τον λιανοπωλητή.
- 6- Το παιδικό κάθισμα ασφαλείας PIPA next είναι συμβατό με τα ακόλουθα εξαρτήματα:
 - PIPA next base
 - ARRA base
 - BASE next

Για την εγκατάσταση της βάσης ARRA base, ανατρέξτε στις οδηγίες χρήσης της βάσης ARRA base.

Για την εγκατάσταση της βάσης BASE next, ανατρέξτε στις οδηγίες χρήσης της βάσης BASE next.

⚠️ ΠΡΟΕΙΔΟΠΟΙΗΣΗ

Σε περίπτωση που δεν ακολουθήσετε αυτές τις προειδοποιήσεις και οδηγίες, αυτό μπορεί να έχει ως αποτέλεσμα σοβαρό τραυματισμό ή ακόμη και θάνατο.

Οι ιμάντες που συγκρατούν το πορτ μπεμπέ στο όχημα πρέπει να είναι σφιχτοί, το σκέλος φορτίου πρέπει να είναι σε επαφή με το δάπεδο του οχήματος και οι ιμάντες που συγκρατούν το παιδί πρέπει να προσαρμόζονται στο σώμα του παιδιού. Οι ιμάντες δεν πρέπει να είναι συστραμμένοι.

Κατά τη χρήση του συγκεκριμένου παιδικού καθίσματος ασφαλείας, η ζώνη ασφαλείας πρέπει να χρησιμοποιείται σωστά.

Τυχόν αποσκευές ή άλλα αντικείμενα που μπορούν να προκαλέσουν τραυματισμούς σε περίπτωση σύγκρουσης, θα πρέπει να ασφαλίζονται κατάλληλα.

Βεβαιωθείτε ότι το ενισχυμένο παιδικό κάθισμα ασφαλείας έχει εγκατασταθεί με τρόπο που κανένα μέρος του δεν παρεμβάλλεται σε κινητά καθίσματα ή στη λειτουργία των θυρών του οχήματος.

Πριν μεταφέρετε το πορτ μπεμπέ με τα χέρια σας, βεβαιωθείτε ότι το παιδί είναι ασφαλισμένο με τον ιμάντα και ότι η λαβή είναι σωστά ασφαλισμένη σε κατακόρυφη θέση.

Συμβουλευτείτε τον προμηθευτή για ζητήματα που αφορούν τη συντήρηση, την επισκευή και την αντικατάσταση εξαρτημάτων.

Η ορθή εγκατάσταση επιτρέπεται μόνο με τη χρήση των συνδέσμων ISOFIX.

Ελέγχετε συχνά τους οδηγούς ISOFIX για ρύπους και καθαρίζετε τους εάν είναι απαραίτητο. Η αξιοπιστία μπορεί να επηρεαστεί από εισχώρηση ρύπων, σκόνης, σωματιδίων τροφίμων κ.λπ.

Ελέγξτε πριν αγοράσετε αυτό το ενισχυμένο παιδικό κάθισμα ασφαλείας για να βεβαιωθείτε ότι μπορεί να εγκατασταθεί σωστά στο όχημά σας.

Προστατέψτε το ενισχυμένο παιδικό κάθισμα ασφαλείας από ηλιακό φως όταν δεν φέρει υφασμάτινο κάλυμμα, διαφορετικά ενδέχεται να είναι πολύ ζεστό για την επιδερμίδα του παιδιού. Ελέγχετε πάντα τη θερμοκρασία του καθίσματος πριν τοποθετήσετε το παιδί μέσα σε αυτό.

Για να χρησιμοποιήσετε αυτό το παιδικό κάθισμα ασφαλείας με τους συνδέσμους ISOFIX σύμφωνα με τον Κανονισμό 129 του ΟΗΕ, το παιδί σας θα πρέπει να πληροί τις ακόλουθες προϋποθέσεις.

Ύψος παιδιού 40cm-83cm / Βάρος παιδιού <13kg (περίπου 15 μήνες ή λιγότερο).

Για να χρησιμοποιήσετε αυτό το πορτ μπεμπέ με τη ζώνη του οχήματος, το παιδί σας πρέπει να πληροί τις ακόλουθες απαιτήσεις.

Βάρος παιδιού ≤ 13 κιλά / Ηλικία παιδιού ≤ 15 μήνες.

Τα υφασμάτινα στοιχεία του καθίσματος δεν πρέπει να αντικαθίστανται από οποιαδήποτε άλλα, εκτός από εκείνα που προτείνονται από τον κατασκευαστή, καθώς τα υφασμάτινα στοιχεία αποτελούν αναπόσπαστο μέρος της απόδοσης του παιδικού καθίσματος ασφαλείας.

Για να αποφύγετε τον κίνδυνο πτώσης, βεβαιωθείτε ότι χρησιμοποιείται ο ιμάντας όταν το παιδί είναι τοποθετημένο στο πορτ μπεμπέ, ακόμα και όταν το ενισχυμένο παιδικό κάθισμα ασφαλείας δεν βρίσκεται στο όχημα.

Για να αποφύγετε σοβαρούς τραυματισμούς ή θάνατο, μην τοποθετείτε **ΠΟΤΕ** το πορτ μπεμπέ σε ανυψωμένη επιφάνεια όταν το παιδί βρίσκεται μέσα σε αυτό.

Τα μέρη αυτού του ενισχυμένου καθίσματος δεν πρέπει να λιπαίνονται με κανέναν τρόπο.

Αφαιρείτε το πορτ μπεμπέ και τη βάση από το κάθισμα του οχήματος όταν δεν τα χρησιμοποιείτε τακτικά.

Ασφαλιζετε **ΠΑΝΤΑ** το παιδί στο ενισχυμένο παιδικό κάθισμα ασφαλείας ακόμη και όταν πρόκειται για σύντομες διαδρομές, καθώς σε αυτές συμβαίνουν τα περισσότερα ατυχήματα.

Μην αφήνετε **ΠΟΤΕ** το παιδί σας χωρίς επίβλεψη με το συγκεκριμένο ενισχυμένο παιδικό κάθισμα ασφαλείας.

Μην χρησιμοποιείτε **ΠΟΤΕ** μεταχειρισμένο παιδικό κάθισμα ασφαλείας ή παιδικό κάθισμα ασφαλείας άγνωστου ιστορικού, καθώς μπορεί να έχει υποστεί δομική φθορά, η οποία θα θέσει σε κίνδυνο την ασφάλεια του παιδιού σας.

ΠΟΤΕ μην χρησιμοποιείτε σχοινιά ή άλλα υποκατάστατα για να ασφαλίσετε το ενισχυμένο παιδικό κάθισμα ασφαλείας στο όχημα ή για να ασφαλίσετε το παιδί στο ενισχυμένο παιδικό κάθισμα ασφαλείας.

ΚΑΝΕΝΑ παιδικό κάθισμα ασφαλείας δεν μπορεί να εγγυηθεί πλήρη προστασία από τραυματισμούς σε περίπτωση ατυχήματος. Η ορθή ωστόσο χρήση του συγκεκριμένου παιδικού καθίσματος ασφαλείας θα μειώσει τον κίνδυνο σοβαρού τραυματισμού ή θανάτου για το παιδί σας.

ΜΗΝ χρησιμοποιείτε τα συστήματα συγκράτησης παιδιών στραμμένα προς τα πίσω σε καθίσματα όπου υπάρχει ενεργός μπροστινός αερόσακος. Ενδέχεται να προκληθεί θάνατος ή σοβαρός τραυματισμός. Για περισσότερες πληροφορίες, ανατρέξτε στο εγχειρίδιο ιδιοκτήτη του οχήματος.

ΜΗΝ τοποθετείτε τυχόν αντικείμενα στην περιοχή του σκέλους φορτίου μπροστά από τη βάση σας.

ΜΗΝ χρησιμοποιείτε οποιαδήποτε σημεία επαφής που φέρουν φορτίο εκτός αυτών που περιγράφονται στις οδηγίες και επισημαίνονται στο παιδικό κάθισμα ασφαλείας.

ΜΗΝ συνεχίσετε να χρησιμοποιείτε αυτό το ενισχυμένο παιδικό κάθισμα ασφαλείας, εάν έχει υποστεί τυχόν σύγκρουση, έστω και μικρή. Αντικαταστήστε το άμεσα, καθώς ενδέχεται να υπάρχει μη ορατή δομική φθορά από τη σύγκρουση.

ΜΗΝ εγκαταστήσετε ή χρησιμοποιήσετε αυτό το παιδικό κάθισμα ασφαλείας χωρίς να ακολουθήσετε τις οδηγίες σε αυτό το εγχειρίδιο, διαφορετικά ενδέχεται να θέσετε το παιδί σας σε σοβαρό κίνδυνο τραυματισμού ή θανάτου.

ΜΗΝ προβείτε σε οποιαδήποτε τροποποιήσεις στο συγκεκριμένο ενισχυμένο παιδικό κάθισμα ασφαλείας και μην το χρησιμοποιήσετε με εξαρτήματα άλλων κατασκευαστών.

ΜΗΝ χρησιμοποιείτε το συγκεκριμένο ενισχυμένο παιδικό κάθισμα ασφαλείας χωρίς τα υφασμάτινα στοιχεία.

ΜΗΝ χρησιμοποιήσετε το συγκεκριμένο παιδικό κάθισμα ασφαλείας σε περίπτωση που έχει υποστεί φθορά ή του λείπουν εξαρτήματα.

MHN φοράτε στο παιδί σας μεγάλα/υπερμεγέθη ρούχα, καθώς αυτό μπορεί να εμποδίσει τη σωστή ασφάλιση του παιδιού σας με τους ιμάντες ώμων και τον ιμάντα του καβάλου.

MHN αφήνετε το παιδικό κάθισμα ασφαλείας ή άλλα αντικείμενα μη ασφαλισμένα στο όχημά σας, καθώς αν το παιδικό κάθισμα ασφαλείας δεν έχει σταθεροποιηθεί, μπορεί να μετακινηθεί απότομα και να τραυματίσει τους επιβάτες σε απότομες στροφές, ξαφνικά φρεναρίσματα ή σε περίπτωση σύγκρουσης.

MHN τοποθετείτε οτιδήποτε άλλο πέραν των συνιστώμενων εσωτερικών μαξιλαριών στο συγκεκριμένο ενισχυμένο παιδικό κάθισμα ασφαλείας.

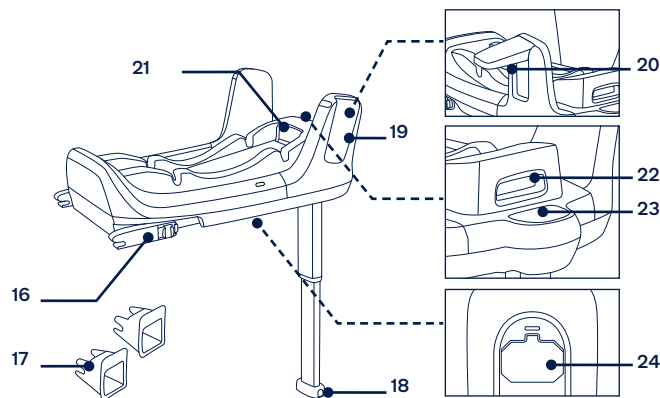
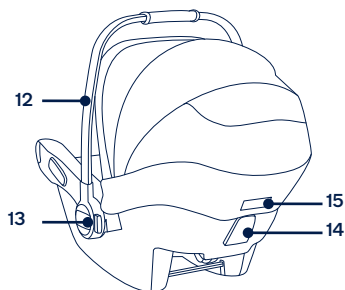
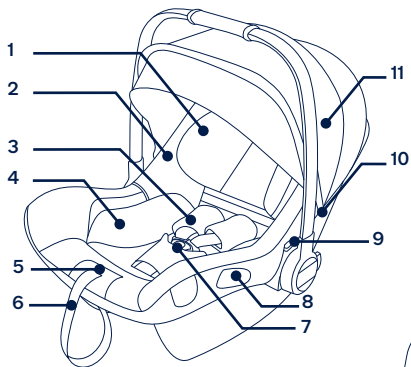
Οι οδηγίες πρέπει να διατηρούνται στο ενισχυμένο παιδικό κάθισμα ασφαλείας καθ' όλη τη διάρκεια της χρήσης του.

Δώστε βάση στις οδηγίες και στις προειδοποιήσεις του εγχειριδίου του κατασκευαστή του οχήματος.

Κατάλογος εξαρτημάτων

Πριν από τη συναρμολόγηση βεβαιωθείτε ότι όλα τα εξαρτήματα είναι διαθέσιμα. Το πορτ-μπεμπέ και η βάση διατίθενται και ξεχωριστά. Εάν λείπει κάποιο εξάρτημα, επικοινωνήστε με τον τοπικό πωλητή. Δεν απαιτούνται εργαλεία για τη συναρμολόγηση.

- | | | | |
|----|---------------------------------|----|---|
| 1 | Στήριγμα κεφαλιού | 15 | Κουμπί αποδέσμευσης καροτσιού B |
| 2 | Μαξιλάρι καθίσματος | 16 | Σύνδεσμος ISOFIX |
| 3 | Ιμάντες ώμου | 17 | Οδηγοί ISOFIX |
| 4 | Ένθεμα βρέφους | 18 | Κουμπί ρύθμισης σκέλους φορτίου |
| 5 | Κουμπί ρύθμισης ιμάντα | 19 | Θωράκιση πλευρικής σύγκρουσης |
| 6 | Ιμάντας ρύθμισης | 20 | Κουμπί αναδίπλωσης θωράκισης |
| 7 | Πόρπη ασφαλείας | 21 | Κουμπί ρύθμισης ISOFIX |
| 8 | Πλευρικοί οδηγοί | 22 | Κουμπί αποδέσμευσης πορτ μπεμπέ |
| 9 | Κουμπί αποδέσμευσης καροτσιού A | 23 | Δείκτης σκέλους φορτίου |
| 10 | Βάση κουκούλας | 24 | Αποθηκευτικός θάλαμος εγχειριδίου οδηγίων |
| 11 | Κουκούλα | | |
| 12 | Λαβή | | |
| 13 | Κουμπί λαβής | | |
| 14 | Πίσω οδηγός | | |



Χρήση προϊόντος

Πληροφορίες εγκατάστασης

Το συγκεκριμένο πορτ μπεμπέ είναι κατάλληλο για καθίσματα οχημάτων με σημεία αγκύρωσης i-Size ISOFIX μαζί με τη Βάση. (1)

MHN χρησιμοποιείτε τα συστήματα συγκράτησης παιδιών στραμμένα προς τα πίσω σε καθίσματα όπου υπάρχει ενεργός μπροστινός αερόσακος. Ενδέχεται να προκληθεί θάνατος ή σοβαρός τραυματισμός. (2) Για περισσότερες πληροφορίες, ανατρέξτε στο εγχειρίδιο ιδιοκτήτη του οχήματος.

MHN εγκαταστήστε το συγκεκριμένο ενισχυμένο παιδικό κάθισμα ασφαλείας σε καθίσματα οχημάτων που κοιτούν στο πλάι ή πίσω αναφορικά με την κατεύθυνση κίνησης του οχήματος. (3)

Προτείνεται η εγκατάσταση του συγκεκριμένου παιδικού καθίσματος ασφαλείας στα πίσω καθίσματα οχημάτων. (4)

MHN εγκαταστήστε το συγκεκριμένο ενισχυμένο παιδικό κάθισμα ασφαλείας σε καθίσματα οχημάτων που μετακινούνται κατά την εγκατάσταση.

Ρύθμιση λαβής

- 1 - Η λαβή του πορτ μπεμπέ μπορεί να ρυθμιστεί σε 3 θέσεις. (5)
- 2 - Για να ρυθμίσετε τη λαβή, πιέστε τα κουμπιά χειρισμού και στις δύο πλευρές για να την απελευθερώσετε. (6)-1
- 3 - Περιστρέψτε τη λαβή μέχρι να κουμπώσει σε οποιαδήποτε από τις 3 θέσεις. (6)-2

Εγκατάσταση με τη βάση

- 1 - Ξεδιπλώστε το σκέλος φορτίου από το θάλαμο αποθήκευσης. (7)
- 2 - Τοποθετήστε τους οδηγούς ISOFIX στα σημεία αγκύρωσης ISOFIX. (8) Οι οδηγοί ISOFIX μπορούν να προστατεύσουν την επιφάνεια του καθίσματος του οχήματος από σχισίματα. Μπορούν επίσης να καθοδηγήσουν τους συνδέσμους ISOFIX.
- 3 - Πατήστε το κουμπί ρύθμισης του συστήματος ISOFIX για να ρυθμίσετε τους συνδέσμους ISOFIX. (9)
- 4 - Ευθυγραμμίστε τους συνδέσμους ISOFIX με τους οδηγούς ISOFIX και στη συνέχεια κουμπώστε και τους δυο συνδέσμους ISOFIX στα σημεία αγκύρωσης ISOFIX. (10)

- ! Βεβαιωθείτε ότι αμφότεροι οι σύνδεσμοι ISOFIX είναι συνδεδεμένοι με ασφάλεια στα σημεία αγκύρωσης ISOFIX. Πρέπει να ακουστούν δύο ήχοι κλικ και τα χρώματα των δεικτών στους δύο συνδέσμους ISOFIX πρέπει να είναι τελείως πράσινα. (10)-1
- ! Ελέγξτε για να βεβαιωθείτε ότι η βάση έχει εγκατασταθεί με ασφάλεια, τραβώντας πάνω και τους δυο συνδέσμους ISOFIX.
- 5 - Αφού τοποθετήσετε τη βάση στο κάθισμα του οχήματος, επεκτείνετε το σκέλος φορτίου στο δάπεδο (11). Όταν ο δείκτης σκέλους φορτίου γίνει πράσινος, αυτό σημαίνει ότι έχει εγκατασταθεί σωστά. Αν είναι κόκκινος, σημαίνει ότι έχει εγκατασταθεί λανθασμένα. (11)-2
- ! Το σκέλος φορτίου έχει 19 θέσεις. Όταν ο δείκτης του σκέλους φορτίου δείχνει κόκκινο αυτό σημαίνει πως το σκέλος φορτίου βρίσκεται σε λάθος θέση.
- ! Βεβαιωθείτε ότι το σκέλος φορτίου έρχεται σε πλήρη επαφή με το δάπεδο του οχήματος.
- ! Για να μειώσετε το μήκος του σκέλους φορτίου, πιάστε το κουμπί απελευθέρωσης σκέλους φορτίου και τραβήξτε το σκέλος φορτίου προς τα επάνω. (11)-1
Η πλήρως συναρμολογημένη βάση εμφανίζεται στην Εικ. (12)
- ! Οι σύνδεσμοι ISOFIX πρέπει να έχουν προσαρτηθεί και ασφαλίσει στα σημεία αγκύρωσης ISOFIX. (12)-1
- ! Το σκέλος φορτίου πρέπει να εγκατασταθεί σωστά με τον πράσινο δείκτη. (12)-2
- 6 - Για να αφαιρέσετε τη βάση, πατήστε πρώτα το βοηθητικό κουμπί κλειδώματος (13)-1 και, στη συνέχεια, το κουμπί (13)-2 στις υποδοχές πριν αφαιρέσετε τη βάση από το κάθισμα του οχήματος.
- 7 - Πατήστε το κουμπί ρύθμισης του συστήματος ISOFIX για να διπλώσετε το σύστημα ISOFIX.
- 8 - Πιέστε το πορτ μπεμπέ προς τα κάτω επάνω στη βάση (14). Αν το κάθισμα ασφαλείας είναι ασφαλές, η θωράκιση πλευρικής σύγκρουσης θα είναι ανοικτή και η ένδειξη του καθίσματος ασφαλείας θα είναι πράσινη. (15) Η θωράκιση πλευρικής σύγκρουσης που είναι από την αντίθετη πλευρά από την πόρτα, μπορεί να κλείσει όπως απεικονίζεται στην εικόνα (16) όταν δεν χρησιμοποιείται.
- ! Τραβήξτε πάνω το πορτ μπεμπέ για να βεβαιωθείτε ότι έχει κουμπώσει με ασφάλεια στη βάση.
- 9 - Για να ελευθερώσετε το πορτ μπεμπέ, τραβήξτε το παιδικό κάθισμα ασφαλείας προς τα επάνω, πιέζοντας ταυτόχρονα το κουμπί απελευθέρωσης του πορτ μπεμπέ. (17)

Ρύθμιση ύψους

για Υποστήριξη κεφαλής και ιμάντες ώμων

Βεβαιωθείτε ότι οι ιμάντες ώμου έχουν ρυθμιστεί στο σωστό ύψος. Επιλέξτε το σωστό ζεύγος υποδοχών ιμάντων ώμου ανάλογα με το ύψος του παιδιού.

- ! Οι ιμάντες ώμου πρέπει να βρίσκονται κοντά στους ώμους του παιδιού σας (18), αλλά όχι πάνω από τη γραμμή των ώμων. (19)
- ! Εάν οι ιμάντες ώμου δεν βρίσκονται στο σωστό ύψος, το παιδί ενδέχεται να φύγει από το κάθισμα ασφαλείας σε περίπτωση ατυχήματος.

Πιέστε το μοχλό ρύθμισης του στηρίγματος κεφαλιού (20), σηκώνοντας ταυτόχρονα προς τα πάνω ή στρώχνοντας προς τα κάτω το στηρίγμα κεφαλιού μέχρι αυτό να κουμπώσει σε μία από τις 7 θέσεις. Οι θέσεις υποστήριξης κεφαλής εμφανίζονται στην εικόνα (21).

Ασφάλεια του παιδιού

Χρήση ενθέματος βρέφους



Αφού τοποθετηθεί το παιδί στο κάθισμα, ελέγξτε εάν οι ιμάντες ώμων βρίσκονται στο σωστό ύψος.

- 1 - Ενώ πιέζετε το κουμπί ρύθμισης των ιμάντων, τραβήξτε πλήρως τους δύο ιμάντες ώμου του ενισχυμένου καθίσματος ασφαλείας. (22)
 - 2 - Ξεκλειδώστε την πόρπη των ιμάντων πατώντας το κόκκινο κουμπί. (23)
 - 3 - Τοποθετήστε το παιδί στο πορτ μπεμπέ και ασφαλίστε την πόρπη. (25)
Ανατρέξτε στην εικόνα (24).
 - 4 - Σφίξτε τους ιμάντες ώμου τραβώντας τον ιμάντα ρύθμισης. (26)
- ! Βεβαιωθείτε ότι ο χώρος μεταξύ του παιδιού και του ιμάντα ώμου είναι περίπου το πάχος μιας παλάμης.

Κουκούλα

- 1 - Ξεκουμπώστε το φερμουάρ στο μπροστινό τμήμα της κουκούλας. (27)
- 2 - Τραβήξτε το dream drape™ έξω από την κουκούλα. (28)
- 3 - Ασφαλίστε τους μαγνήτες σε κάθε γωνία στο μπροστινό μέρος του πορτ μπεμπέ. (29)
- 4 - Το παράθυρο της κουκούλας μπορεί να ανοίξει για εξαερισμό. (30)

Αφαίρεση και συναρμολόγηση μαλακών στοιχείων

Δείτε τις εικόνες (31)-(42)

Για την επαναποθέτηση των υφασμάτων στοιχείων, ακολουθήστε τα παραπάνω βήματα με αντίθετη σειρά.

Εγκατάσταση χωρίς τη βάση

- 1 - **MHN** εγκαθιστάτε αυτό το πορτ μπεμπέ σε καθίσματα οχημάτων με ζώνες μέσης. (43)
- 2 - Αυτό το πορτ μπεμπέ είναι κατάλληλο μόνο για καθίσματα οχημάτων με ζώνη ασφαλείας 3 σημείων (χωρίς βάση). (44)
- 3 - Τοποθετήστε το πορτ μπεμπέ στο κάθισμα του οχήματος. Τραβήξτε τη ζώνη ασφαλείας του οχήματος προς τα έξω και ασφαλίστε την στην πόρπη του οχήματος, σύροντας τον ιμάντα μέσης μέσα στους πλευρικούς οδηγούς του πορτ μπεμπέ. (45)
- ! Το πορτ μπεμπέ δεν μπορεί να χρησιμοποιηθεί εάν η πόρπη της ζώνης ασφαλείας του οχήματος (θηλυκό άκρο πόρπης) είναι πάρα πολύ μακριά για να συγκρατήσει με ασφάλεια το πορτ μπεμπέ. (45)-1
- 4 - Σύρετε τη διαγώνια ζώνη στον πίσω οδηγό. (46)
- 5 - Τραβήξτε τη ζώνη ώμου του οχήματος για να στερεώσετε το πορτ μπεμπέ σωστά και με ασφάλεια. (47)
- 6 - Η γραμμή οριζόντιωσης στο πορτ μπεμπέ πρέπει να είναι παράλληλη με το έδαφος όταν το πορτ μπεμπέ είναι εγκατεστημένο. (48)
- ! Τεντώστε τη ζώνη ασφαλείας του οχήματος όσο το δυνατόν περισσότερο, ελέγχοντας ότι δεν είναι χαλαρή ή συστραμμένη.
- ! Μετά την εγκατάσταση του πορτ μπεμπέ, να βεβαιώνετε πάντα ότι οι ζώνες του οχήματος έχουν τοποθετηθεί σωστά και είναι ασφαλώς ασφαλισμένες στην πόρπη του οχήματος. (49)

Εγκατάσταση αεροπλάνου

- ! Λάβετε υπόψη ότι η ασφάλεια του παιδιού δεν είναι εγγυημένη σε περίπτωση μη συμμόρφωσης με το εγχειρίδιο εγκατάστασης και οδηγιών.
- ! Σημειώστε ότι η εγκατάσταση του πορτ μπεμπέ σε κάθισμα αεροσκάφους, διαφέρει από την εγκατάσταση σε κάθισμα αυτοκινήτου.
- ! Σημειώστε ότι η χρήση ζώνης μέσης 2 επιτρέπεται μόνο σε αεροσκάφη.
- ! Σημειώστε ότι το πορτ μπεμπέ πρέπει να παραμείνει στο κάθισμα του αεροσκάφους ακόμη και όταν το παιδί δεν βρίσκεται σε αυτό.
- ! Σημειώστε ότι το πορτ μπεμπέ προορίζεται μόνο για χρήση σε κάθισμα επιβατών που έχει εγκριθεί από την αεροπορική εταιρεία.
- ! Προειδοποιήσεις για τη μη χρήση του πορτ μπεμπέ στην περιοχή ανάπυξης αερόσακου. (2)
- ! Σημειώστε ότι όταν το πορτ μπεμπέ τοποθετείται με κατεύθυνση προς τα πίσω, πρέπει να τοποθετείται μόνο σε καθίσματα επιβατών με κατεύθυνση προς τα μπροστά. (50)

Εγκατάσταση του πορτ μπεμπέ με χρήση της ζώνης ασφαλείας του καθίσματος του αεροσκάφους:

- 1 - Τοποθετήστε το πορτ μπεμπέ στο κάθισμα με κατεύθυνση αντίθετη από την κατεύθυνση της πτήσης.
- 2 - Βεβαιωθείτε ότι η λαβή μεταφοράς βρίσκεται στην υψηλότερη θέση.
- 3 - Τοποθετήστε τη ζώνη ασφαλείας στους δύο οδηγούς ζώνης.
- 4 - Δέστε τη ζώνη ασφαλείας (ανατρέξτε στις οδηγίες ασφαλείας της αεροπορικής εταιρείας).
- 5 - Σφίξτε τη ζώνη ασφαλείας τραβώντας το άκρο της ζώνης. (51)
- ! Η πόρπη της ζώνης ασφαλείας δεν πρέπει σε καμία περίπτωση να βρίσκεται μέσα στους σκούρους πράσινους οδηγούς ζώνης. (52)

Αφαίρεση:

Λύστε τη ζώνη ασφαλείας του καθίσματος (ανατρέξτε στις οδηγίες ασφαλείας της αεροπορικής εταιρείας).
Τώρα μπορείτε να απομακρύνετε το πορτ μπεμπέ από το κάθισμα.

Καθαρισμός και συντήρηση

Καθαρίστε το πλαίσιο, τα πλαστικά μέρη και το ύφασμα με ένα υγρό πανί, αλλά μην χρησιμοποιείτε λειαντικά ή λευκαντικά. Μην χρησιμοποιείτε λιπαντικά πυριτίου, καθώς προσελκύουν ακαθαρσίες και σκόνη.

Για να εξασφαλίσετε μακροχρόνια χρήση, σκουπίζετε το προϊόν με ένα μαλακό απορροφητικό ύφασμα όταν το χρησιμοποιείτε με βροχερό καιρό.

Για οδηγίες πλυσίματος και στεγνώματος, ανατρέξτε στην ετικέτα περιποίησης που είναι τοποθετημένη στο ύφασμα του πορτ-μπεμπέ.

Είναι φυσιολογικό το ύφασμα να ξεθωριάσει από το ηλιακό φως και να παρουσιάσει φθορά μετά από μακρά περίοδο χρήσης, ακόμα και όταν χρησιμοποιείται κανονικά.

Για λόγους ασφαλείας, χρησιμοποιείτε μόνο αυθεντικά εξαρτήματα της Nuna.

Ελέγχετε τακτικά ότι όλα λειτουργούν σωστά. Αν παρατηρήσετε οποιοδήποτε σκίσιμο, φθορά ή απουσία εξαρτημάτων, σταματήστε να χρησιμοποιείτε το προϊόν.

ÖNEMLİ!
BU TALİMATLARI,
İLERİDE BASVURMAK
ÜZERE SAKLAYIN:
DİKKATLİCE OKUYUN

İçindekiler

Ürün bilgisi	279
Ürün Kaydı	
Garanti	
İletişim	
Çocuk Kullanım Koşulları	280
Taban ile ve Tabansız kullanım için	281
Uyarı	282
Parça Listesi	285
Ürün Kullanımı	287
Temizlik ve Bakım	291

Ürün Bilgisi

Model Numarası: _____

Üretim Tarihi: _____

Ürün Kaydı

Lütfen yukarıdaki bilgileri doldurun. Model numarası ve üretim tarihi, PIPA next'in alt kısmında ve PIPA next tabanının.

Ürününüzü kaydettirmek için lütfen şu adrese gidin:

www.nunababy.com

Ana sayfadaki "Donanımı Kaydet" linkine tıklayın.

Garanti

Yüksek kaliteli ürünlerimizi, hem çocuğunuzla hem de ailenizle birlikte büyüyecek şekilde bilinçli olarak tasarladık. Ürününüzün arkasında durduğumuz için, donanımımız satın alındığı günden itibaren her ürüne ait özel garanti kapsamındadır. Lütfen bizimle iletişime geçtiğinizde satın alma belgesini, model numarasını ve üretim tarihini hazır bulundurun.

Garanti bilgileri için lütfen şu adrese gidin:

www.nunababy.com

Ana sayfadaki "Garanti" linkine tıklayın.

İletişim

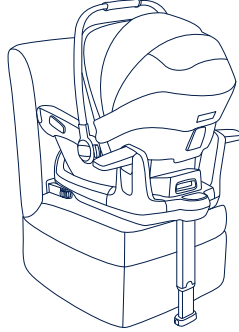
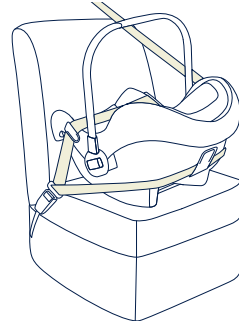
Yedek parça, servis veya ek garanti ile ilgili sorularınız için lütfen müşteri hizmetleri birimizle iletişime geçin.

info@nunababy.com

www.nunababy.com

Çocuk Kullanım Koşulları

Bu ürün, aşağıdaki koşulları karşılayan çocuklar için kullanıma uygundur.

Montaj için şekil	Uygunluk
	Çocuğun boyu 40cm-83 cm/Çocuğun kilosu≤13kg (yaklaşık 15 aylık veya daha küçük)
	Çocuğun boyu 40cm-83 cm/Çocuğun kilosu≤13kg Çocuğun yaşı≤15 ay

Taban ile ve Tabansız kullanım için

- 1- “i-Size” (Tümleşik Evrensel ISOFIX Geliştirilmiş Çocuk Koltuğu Sistemleri), temel olarak bir aracın tüm i-Size oturma konumlarında kullanım için tasarlanmış bir Geliştirilmiş Çocuk Koltuğu Sistemi sınıfıdır.
 - 2- 129 Nolu BM Yönetmeliğine göre, Tabanlı Geliştirilmiş Çocuk Koltuğu, Universal ISOFIX Geliştirilmiş Çocuk Koltuğudur ve ISOFIX bağlantıları kullanılarak takılmalıdır.
 - 3- Bu bir “i-Size” Geliştirilmiş Çocuk Koltuğu Sistemidir. 129 Nolu BM Yönetmeliğine göre, aracın kullanım kılavuzunda araç üreticisi tarafından belirtilen i-Size uyumlu araç koltuğu konumlarında kullanım için onaylanmıştır.
 - 4- Bu Kemerli bir Geliştirilmiş Çocuk Koltuğu Sistemidir. Araç üreticileri tarafından araç kullanıcı el kitabında belirtildiği gibi, temel olarak “Evrensel koltuk pozisyonlarında” kullanım için 129 Nolu BM Yönetmeliğine göre onaylanmıştır.
 - 5- Şüphe duyulması durumunda Geliştirilmiş Çocuk Koltuğu Sisteminin üreticisine veya bayisine danışın.
 - 6- PIPA next çocuk koltuğu aşağıdakilerle uyumludur:
 - PIPA next base
 - ARRA base
 - BASE next
- ARRA base montajı için lütfen ARRA kullanım kılavuzuna bakın.
- BASE next kurulumu için lütfen BASE next talimat kılavuzuna bakın.

⚠ UYARI

Bu uyarılara ve talimatlara uyulmaması ciddi yaralanma veya ölümlere sonuçlanabilir.

Çocuk taşıyıcı modülünü araca bağlayan tüm kemerler sıkı olmalıdır, Yük ayağı taşıtın tabanına temas etmeli ve çocuğu tutan kayışlar çocuğun vücuduna göre ayarlanmalıdır. Kayışlar bükülmemelidir.

Çocuğunuz bu Geliştirilmiş çocuk koltuğuna yerleştirildikten sonra, emniyet kemeri doğru biçimde kullanılmalıdır.

Çarpışma durumunda yaralanmalara neden olabilecek herhangi bir bavul veya diğer nesnelere uygun biçimde sabitlenmelidir.

Geliştirilmiş çocuk koltuğunun, hiçbir parçası hareketli koltukları veya araç kapılarının çalışmasını engellemeyecek şekilde kurulduğundan emin olun.

Çocuk taşıyıcı modülünü elle taşımadan önce, çocuğun çocuk kayışıyla bağlandığından ve kulpun dikey konumda doğru biçimde kilitlendiğinden emin olun.

Bakım, onarım ve parça değişimiyle ilgili sorunlar için dağıtıcıya danışın.

Doğru kurulum yalnızca ISOFIX bağlayıcıları kullanılarak yapılır.

ISOFIX kılavuzlarının kirli olup olmadığını sıklıkla kontrol edin ve gerekirse temizleyin. İçlerine kir, toz, yiyecek parçaları vb. girerse güvenilirlik olumsuz etkilenebilir.

Aracınıza düzgün biçimde kurulabildiğinden emin olmak için lütfen bu geliştirilmiş çocuk koltuğunu satın almadan önce kontrol edin.

Çocuğun cildi için çok ısınabileceğinden, lütfen bu geliştirilmiş çocuk koltuğunu üzerinde koruyucu tekstil malzeme olmadan güneş altında bırakmayın. Çocuğu içine yerleştirmeden önce Geliştirilmiş Çocuk Koltuğunu mutlaka dokunarak kontrol edin.

Bu geliştirilmiş çocuk koltuğunu 129 No’lu BM Yönetmeliğine göre ISOFIX bağlantılarıyla kullanmak için, çocuğunuzun aşağıdaki koşulları karşılaması gerekir.

Çocuğun boyu 40cm-83 cm/ Çocuğun kilosu≤13 kg; (yaklaşık 15 ay veya altı).

Bu çocuk taşıyıcı modülünü araç kemeriyle kullanmak için çocuğunuzun aşağıdaki gereklilikleri karşılaması gerekir.

Çocuğun kilosuz≤13kg/ Çocuğun yaşı<15 ay.

Koltuk performansının önemli bir parçasını oluşturduklarından, geliştirilmiş çocuk koltuğu sisteminin tekstil malzemeleri, üretici firmanın önerdiğinin dışındakilerle değiştirilmemelidir.

Düşmesini önlemek için, geliştirilmiş çocuk koltuğu araçta olmasa bile, çocuk, taşıyıcı modül içinde olduğu sürece çocuk kayışlarını kullanarak çocuğu mutlaka sabitleyin.

Ciddi yaralanma veya ölümü önlemek için, çocuk taşıma modülünü, içinde çocuk varken yüksek bir koltuğa **ASLA** yerleştirmeyin.

Bu geliştirilmiş çocuk koltuğunun parçaları hiçbir biçimde yağlanmamalıdır.

Normal kullanımda değilken, bu çocuk taşıyıcı modülünü ve tabanı araç koltuğundan çıkarın.

Çocuğu, çoğu kazanın meydana geldiği kısa gezilerde bile **MUTLAKA** geliştirilmiş çocuk koltuğunda sabitleyin.

Çocuğunuz, bu geliştirilmiş çocuk koltuğunda **ASLA** gözetimsiz bırakmayın.

Çocuğunuzun güvenliğini tehlikeye atacak yapısal hasarı olabileceği için, ikinci el veya kullanım geçmişini bilmediğiniz bir geliştirilmiş çocuk koltuğunu **ASLA** kullanmayın.

Geliştirilmiş çocuk koltuğunu araçta veya çocuğu geliştirilmiş çocuk koltuğunda sabitlemek için **ASLA** ip ya da benzeri nesnelere kullanmayın.

HİÇBİR geliştirilmiş çocuk koltuğu bir kazada yaralanmaya karşı tam koruma garanti edemez. Ancak bu geliştirilmiş çocuk koltuğunun doğru kullanılması, çocuğunuzun ciddi yaralanma veya ölüm riskini azaltacaktır.

Arkaya bakan geliştirilmiş çocuk koltuğu sistemlerini, aktif öne bakan hava yastığı takılı iken **KULLANMAYIN**. Ölüm veya ciddi yaralanma meydana gelebilir. Daha fazla bilgi için lütfen aracın kullanıcı kılavuzuna başvurun.

Tabanın önündeki yük ayağı bölgesine hiçbir nesne **KOYMAYIN**.

Talimatlarda açıklananların ve geliştirilmiş çocuk koltuğunda belirtilenlerin dışında yük taşıma temas noktaları **KULLANMAYIN**.

Küçük çaplı bile olsa, herhangi bir şekilde çarpma meydana geldiğinde bu geliştirilmiş çocuk koltuğunu kullanmaya **DEVAM ETMEYİN**. Çarpışmadan kaynaklı görülemez yapısal hasar olabileceğinden hemen değiştirin.

Bu geliştirilmiş çocuk koltuğunu bu kılavuzdaki talimatları dikkate almadan kurmayın; aksi durumda çocuğunuzun ciddi yaralanma veya ölüm riski altına sokabilirsiniz.

Bu geliştirilmiş çocuk koltuğunda değişiklik **YAPMAYIN** veya başka üreticilerin parçalarıyla birlikte kullanmayın.

Geliştirilmiş çocuk koltuğu sisteminin, tekstil malzemeleri olmadan **KULLANMAYIN**.

Hasarlı veya eksik parçaları varsa bu geliştirilmiş çocuk koltuğunu **KULLANMAYIN**.

Omuz kayışları ve bacaklar arasındaki kasık kayışıyla doğru ve güvenli biçimde bağlanmasını engelleyebileceğinden, çocuğunuza geniş/büyük beden kıyafetler **GİYDİRMEYİN**.

Sabitlenmemiş geliştirilmiş çocuk koltuğu keskin dönüş, ani durma veya çarpma durumunda etrafa fırlayarak araçtakileri yaralayabileceğinden, bu geliştirilmiş çocuk koltuğunu veya diğer öğeleri aracınızda kemerle bağlanmamış veya sabitlenmemiş halde **BIRAKMAYIN**.

Bu geliştirilmiş çocuk koltuğuna önerilen iç yastıklar dışında herhangi bir nesne **KOYMAYIN**.

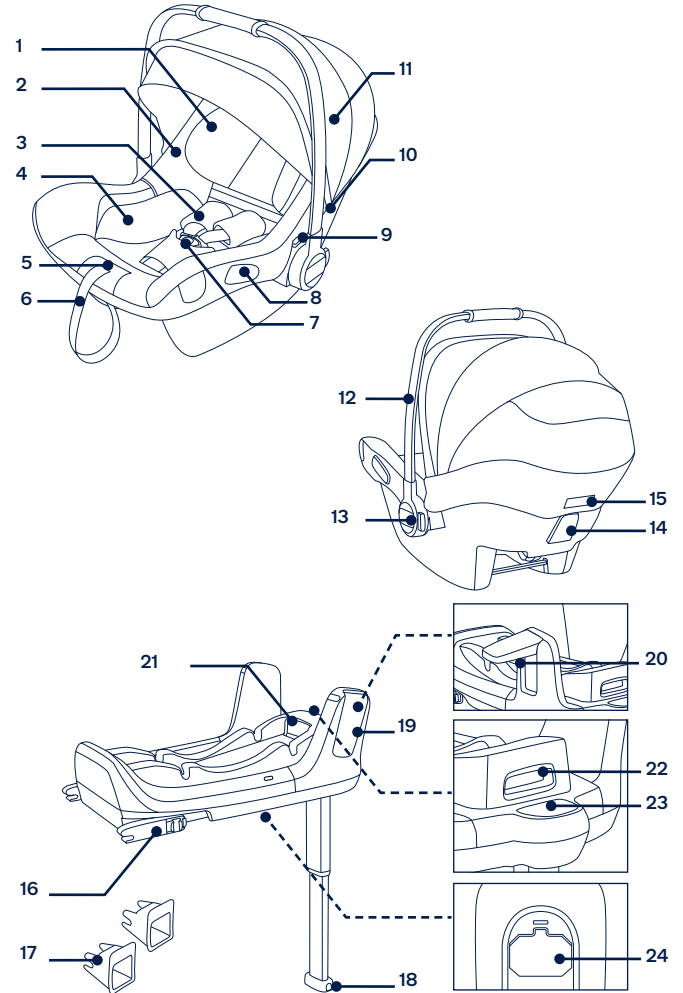
Talimatlar, kullanım süresince çocuk koltuğu üzerinde muhafaza edilmelidir.

Lütfen araç üreticisinin el kitabındaki talimat ve uyarılara da dikkat edin.

Parça Listesi

Monte etmeden önce tüm parçaların hazır bulunduğundan emin olun. Çocuk taşıyıcı modül ve taban ayrıca satılır. Eksik parça varsa lütfen yerel bayinize başvurun. Montaj için herhangi bir araç gerekli değildir.

- | | | | |
|----|---|----|---|
| 1 | Baş Desteği | 14 | Arka Kılavuz |
| 2 | Koltuk Minderi | 15 | Bebek Arabası Serbest Bırakma Düşmesi B |
| 3 | Omuz Kayışları | 16 | ISOFIX Bağlayıcı |
| 4 | Bebek Eklentisi | 17 | ISOFIX Kılavuzları |
| 5 | Kayış Ayarı Düşmesi | 18 | Yük Ayağı Ayar Düşmesi |
| 6 | Ayar Kayışı | 19 | Yan Çarpma Koruması |
| 7 | Güvenlik Tokası | 20 | Koruyucu Katlama Düşmesi |
| 8 | Yan Kılavuzlar | 21 | ISOFIX Ayar Düşmesi |
| 9 | Bebek Arabası Serbest Bırakma Düşmesi A | 22 | Bebek Taşıyıcı Modülü Serbest Bırakma Düşmesi |
| 10 | Gölgelik Montaj Parçası | 23 | Yük Ayağı Göstergesi |
| 11 | Gölgelik | 24 | Kullanım Kılavuzu Saklama Bölmesi |
| 12 | Kulp | | |
| 13 | Kulp Düşmesi | | |



Ürün Kullanımı

Montaj ile ilgili hususlar

Bu çocuk taşıyıcı modülü Tabanlı i-Size ISOFIX tutturma noktaları bulunan araç koltukları için uygundur. (1)

Arkaya bakan geliştirilmiş çocuk koltuğu sistemlerini, aktif öne bakan hava yastığı takılı iken **KULLANMAYIN**. Ölüm veya ciddi yaralanma meydana gelebilir. (2) Daha fazla bilgi için lütfen aracın kullanıcı kılavuzuna başvurun.

Bu geliştirilmiş çocuk koltuğunu, aracın gidiş yönüne göre yanlara veya arkaya dönük araç koltuklarına **KURMAYIN**. (3)

Bu geliştirilmiş çocuk koltuğunun arka araç koltuğuna takılması önerilir. (4)

Bu geliştirilmiş çocuk koltuğunu kurulum sırasında hareket edebilen araç koltuklarına **TAKMAYIN**.

Kulp Ayarı

- 1- Çocuk taşıyıcı modülünün kulpu 3 konumda ayarlanabilir. (5)
- 2- Kolu ayarlamak için, serbest bırakmak üzere her iki taraftaki kol düğmelerini sıkın (6)-1
- 3- Kolu, 3 konumdan herhangi birine oturuncaya dek döndürün. (6)-2

Taban ile Kurulum

- 1- Saklama bölümünde katlı durumda olan yük ayağını açın. (7)
- 2- ISOFIX kılavuzlarını ISOFIX tutturma noktalarına takın. (8) ISOFIX kılavuzları, araç koltuğunun yüzeyini yırtılmaktan koruyabilir. Aynı zamanda ISOFIX bağlayıcılarını da yönlendirebilirler.
- 3- ISOFIX Ayarlama Düğmesine basarak ISOFIX bağlayıcılarını ayarlayın. (9)
- 4- ISOFIX bağlayıcılarını ISOFIX kılavuzlarıyla hizalayıp, her iki ISOFIX bağlayıcıyı ISOFIX tutturma noktalarına geçirin. (10)
! Her iki ISOFIX bağlayıcının da ISOFIX tutturma noktalarına sıkıca takıldığından emin olun. İki tık sesi duyulmalı ve her iki ISOFIX bağlayıcıdaki göstergelerin renkleri tamamen yeşil olmalıdır. (10)-1
! Her iki ISOFIX bağlayıcıyı çekerek, tabanın güvenli bir şekilde takıldığına kontrol edin.
- 5- Tabanlı araç koltuğuna yerleştirdikten sonra, yük ayağını yere kadar uzatın (11). Yük ayağı göstergesinin yeşil renkte olması doğru biçimde takıldığına gösterir, kırmızı renkte olması yanlış takıldığı anlamına gelir. (11)-2

! Yük ayağında 19 konum vardır. Yük ayağı göstergesinin kırmızı olması, yük ayağının yanlış konumda bulunduğunu gösterir.

! Yük ayağının aracın tabanıyla tam olarak temas ettiğinden emin olun.

! Yük ayağını kısaltmak için, yük ayağı serbest bırakma düğmesini sıkın ve yük ayağını yukarı doğru çekin. (11)-1
Tamamen monte edilen taban (12) şeklinde gösterilmiştir.

! ISOFIX bağlayıcılar, ISOFIX tutturma noktalarına takılmalı ve kilitlemelidir. (12)-1

! Yük ayağı doğru takılmalı ve göstergesi yeşil olmalıdır. (12)-2

6- Tabanı çıkarmak için, önce ikincil kilit düğmesine (13)-1 ardından tabanlı araç koltuğundan çıkarmadan önce mandal konektörlerin üzerindeki (13)-2 düğmesine basın.

7- ISOFIX ayarlama düğmesine basarak ISOFIX kısmını katlayın.

8- Çocuk taşıyıcı modülünü tabana (14) doğru itin , geliştirilmiş çocuk koltuğu sabitse, yan darbe koruması açık olacak ve geliştirilmiş çocuk koltuğu göstergesi yeşil renkte yanacaktır. (15) Kapıdan uzaktaki yan darbe koruması, kullanılmadığında, (16)'da gösterildiği gibi kapatılabilir.

! Tabana sabit bir şekilde takıldığından emin olmak için çocuk taşıyıcı modülünü yukarı çekin.

9- Çocuk taşıyıcı modülünü serbest bırakmak için, çocuk taşıyıcı modülü serbest bırakma düğmesine bastırırken geliştirilmiş çocuk koltuğunu yukarı çekin. (17)

Yükseklik Ayarı

Kafa Desteği ve Omuz Kayışı için

Omuz Kemer Kayışlarının uygun yüksekliğe ayarlandığını kontrol edin. Lütfen çocuğun boyuna göre uygun omuz kayışı yuvası çiftini seçin.

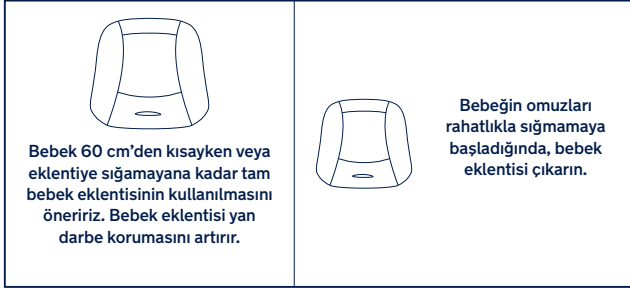
! Omuz Kayışları çocuğunuzun omuzlarına (18) en yakın noktada olmalı, ancak omuz hizasının üzerinde olmamalıdır. (19)

! Omuz Kayışları uygun yüksekliğe değilse, çocuk, bir çarpma anında geliştirilmiş çocuk koltuğundan fırlayabilir.

Kafa desteği ayar kolunu çekerken (20), 7 konumdan birine geçinceye kadar kafa desteğini yukarı çekin veya aşağı itin. Kafa desteği konumları (21) ile gösterildiği gibidir.

Çocuğu Sabitleme

Bebek Eklentisi Kullanımı



Çocuk koltuğa yerleştirildikten sonra, Omuz Kayışlarının uygun yükseklikte olup olmadığını kontrol edin.

- 1- Kayış ayarlama düğmesine basarken, geliştirilmiş çocuk koltuğunun iki Omuz Kayışını tamamen çekin. (22)
 - 2- Kırmızı düğmeye basarak kayışın tokasını açın. (23)
 - 3- Çocuğu çocuk taşıyıcı modülüne yerleştirip tokayı takın. (25) Bkz. (24).
 - 4- Ayar kayışını çekerek omuz kayışlarını sıkın. (26)
- ! Çocuk ve Omuz Kayışları arasındaki mesafenin yaklaşık bir el kalınlığında olduğundan emin olun.

Gölgelik

- 1- Ön gölgelik yayının fermuarını açın. (27)
- 2- Dream drape™ parçasını gölgelikten çekip çıkarın. (28)
- 3- Her bir köşedeki mıknatısları bebek taşıyıcı modülünün önüne tutturun. (29)
- 4- Gölgelik penceresi havalandırma için açılabilir. (30)

Tekstil Malzemelerini Çıkarma ve Monte Etme

bkz. şekil (31)-(42)

Tekstil malzemelerini tekrar takmak için, daha önce anlatılan adımları ters yönde izleyin.

Tabansız Kurulum

- 1- Bu çocuk taşıyıcı modülünü Kucak Kemertli araç koltuklarına kurmayın. (43)
 - 2- Bu çocuk taşıyıcı modülü yalnızca 3 noktadan Geri Sarmalı Emniyet Kemeriyle sahip (tabansız) araç koltukları için uygundur. (44)
 - 3- Çocuk taşıyıcı modülünü karar verdiğiniz araç koltuğuna yerleştirin. Emniyet kemerini dışarı çekin ve araç kucak kemerini çocuk taşıyıcı modülünün yan kılavuzlarında kaydırarak araç tokasına kilitleyin. (45)
- ! Araç emniyet kemeri tokası (dışı toka ucu) çocuk taşıyıcı modülünün güvenli biçimde bağlamak için çok uzunsa, çocuk taşıyıcı modülü kullanılamaz. (45)-1
- 4- Köşegen kemeri arka kılavuza kaydırın. (46)
 - 5- Çocuk taşıyıcı modülünü sıkıca ve güvenli biçimde sabitlemek için araç omuz kemerini çekin. (47)
 - 6- Bebek taşıyıcı modülündeki seviye çizgisi, çocuk taşıyıcı modülü takılı olduğunda zemin seviyesine eşit olmalıdır. (48)
- ! Emniyet kemerini mümkün olduğunca gererek gevşek veya kıvrılmış olmadığını kontrol edin.
- ! Çocuk taşıyıcı modülünü monte ettikten sonra, araç kemerlerinin doğru bir şekilde yönlendirildiğini ve güvenli bir şekilde araç tokasına bağlandığını her zaman kontrol edin. (49)

Uçakta kurulum

- ! Çocuğun güvenliğinin, kurulum ve kullanım kılavuzuna riayet edilmediğinde garanti edilmediğini unutmayın.
- ! Çocuk taşıyıcısının uçak koltuğuna kurulumunun araç koltuğuna kurulumdan farklı olduğunu unutmayın.
- ! 2 Noktadan "Kucak Kemeri" ekine yalnızca uçakta izin verildiğini unutmayın.
- ! Çocuk taşıyıcısının, boşken bile uçak koltuğuna kemerle bağlı kalması gerektiğini unutmayın.
- ! Çocuk taşıyıcı modülünün yalnızca hava yolu şirketi tarafından izin verilmiş bir yolcu koltuğunda kullanılması gerektiğini unutmayın.
- ! Çocuk taşıyıcı modülünün hava yastığının açılma bölgesinde kullanılmama uyarıları. (2)

! Arkaya dönük çocuk taşıyıcı modülünün yalnızca öne bakan yolcu koltuklarına monte edilmesi gerektiğini unutmayın. (50)

Uçak koltuğunun kemeri kullanılarak çocuk taşıyıcı modülünün monte edilmesi:

- 1- Çocuk taşıyıcı modülünü, yolcu koltuğu üzerine uçuş yönünün tersine yerleştirin.
- 2- Taşıma kulpunun en üst konumda olduğundan emin olun.
- 3- Emniyet kemerini her iki kemer kılavuzuna yerleştirin.
- 4- Emniyet kemerini kapatın (hava yolu şirketinin güvenlik talimatlarına bakınız).
- 5- Kemer ucunu çekerek emniyet kemerini sıkın. (51)

! Emniyet kemerinin tokası, hiçbir koşulda koyu yeşil kemer kılavuzlarının içine girmemelidir. (52)

Kaldırma:

Yolcu koltuğunun emniyet kemerini açın (hava yolu şirketinin güvenlik talimatlarına bakın).

Artık çocuk taşıyıcı modülünü yolcu koltuğundan alabilirsiniz.

Temizlik ve Bakım

Çerçeveyi, plastik parçaları ve kumaşı nemli bir bezle temizleyin; ancak aşındırıcı madde veya çamaşır suyu kullanmayın. Kir ve pislikleri çekeceği için silikon yağlayıcılar kullanmayın.

Uzun süreli kullanımı garantilemek için, bu ürünü yağmurlu havalarda kullandıktan sonra yumuşak, emici bir bezle silin.

Yıkama ve kurutma talimatları için tekstil malzemelere yapıştırılmış bakım etiketlerine bakın.

Kumaşın güneş ışığından renk atması ve uzun süre kullanıldıktan sonra, normal kullanımda dahi aşınma ve yıpranma göstermesi normaldir.

Güvenlik nedeniyle, sadece orijinal Nuna parçalarını kullanın.

Her şeyin düzgün çalışıp çalışmadığını düzenli olarak kontrol edin. Herhangi bir parça yırtılmış, kırılmış veya eksikse, bu ürünü kullanmayı bırakın.

٢٩٦

المحتويات

معلومات عن المنتج

تسجيل المنتج

الضمان

جهات الاتصال

٢٩٥

متطلبات الاستخدام الخاصة بالأطفال

٢٩٨

للاستخدام مع القاعدة وبدون القاعدة

٣٠٠

تحذير

٣٠٢

قائمة الأجزاء

٣٠٣

استخدام المنتج

٣٠٧

التنظيف والصيانة

هام!
يُرجى الاحتفاظ بهذه التعليمات
للرجوع إليها مستقبلاً:
اقرأه بعناية

متطلبات الاستخدام الخاصة بالأطفال

هذا المنتج مناسب للاستخدام مع الأطفال الذين يستوفون المتطلبات التالية:

تاريخ التصنيع:

تسجيل المنتج

يرجى كتابة المعلومات الواردة أعلاه، مع العلم أن رقم الطراز وتاريخ التصنيع موجودان أسفل الحاملة و القاعدة.

لتسجيل المنتج يرجى زيارة الموقع الإلكتروني التالي:

www.nunababy.com

انقر فوق رابط "تسجيل الجهاز" في الصفحة الرئيسية.

الضمان

لقد صممنا منتجاتنا بصورة عالية الجودة لتدوم مع طفلك وعائلتك، ولأننا ندعم منتجاتنا تم تغطية كل منها بضمان يبدأ من اليوم الذي تم شراؤها به؛ لذا يرجى أن يكون لديك إثبات الشراء ورقم الطراز وتاريخ التصنيع عند الاتصال بنا.

لمزيد من المعلومات عن الضمان يرجى زيارة الموقع:

www.nunababy.com

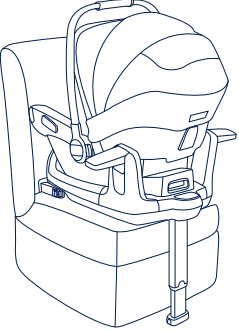
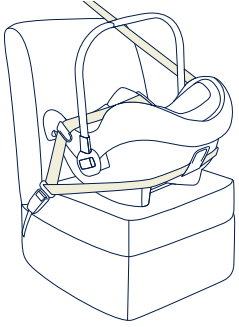
انقر فوق رابط "الضمان" في الصفحة الرئيسية.

جهات الاتصال

للحصول على الاستفسارات المتعلقة بقطع الغيار أو الخدمة أو استفسارات الضمان الإضافية يرجى الاتصال بمركز خدمة العملاء.

info@nunababy.com

www.nunababy.com

شكل التركيب	مناسب للاستخدام مع
	الطفل الذي يتراوح طوله ما بين ٤٠ و ٨٣ سم، ووزنه ١٣ كجم أو أقل (تقريباً ١٥ شهراً أو أقل)
	الطفل الذي يتراوح طوله ما بين ٤٠ و ٨٣ سم، وزن الطفل ١٣ كجم أو أقل عمر الطفل ١٥ شهراً أو أقل

للاستخدام مع القاعدة وبدون القاعدة

- ١ - «i-Size» (الأنظمة المعززة لتقييد حركة الطفل التابعة لنظام ISOFIX العالمي المتكامل) هو إحدى فئات الأنظمة المطورة لتقييد حركة الطفل، والمصمّم خصيصًا للاستخدام مع جميع وضعيات مقاعد السيارات من الفئة i-Size.
- ٢ - وفقًا للائحة الأمم المتحدة رقم ١٢٩ فإن نظام تقييد حركة الطفل المطور المزود بقاعدة هو نظام عام من الأنظمة المطورة لتقييد حركة الطفل والذي يتوافق مع نظام ISOFIX، ويجب تثبيته باستخدام وصلات ISOFIX.
- ٣ - هذا هو نظام تقييد حركة الطفل المطور «i-Size». ومعتمد وفقًا للائحة رقم ١٢٩ للاستخدام في وضعيات مقاعد السيارة المتوافقة مع الفئة i-Size كما هو موضح من قبل مصنعي السيارات في دليل استخدام السيارة.
- ٤ - هذا نظام عام مزود بأحزمة لتقييد حركة الطفل، ومعتمد وفقًا للائحة الأمم المتحدة رقم ١٢٩ للاستخدام بصورة أساسية في «وضعيات الجلوس العامة» كما هو موضح من قبل مصنعي السيارات في دليل استخدام السيارة.
- ٥ - إذا ساورك شك، فاستشر الجهة المصنعة للنظام المطور لتقييد حركة الطفل أو الموزع.
- ٦ - يتوافق نظام تقييد حركة الطفل PIPA next مع:

PIPA next base

ARRA base

BASE next

يرجى الرجوع إلى دليل تعليمات ARRA لمعرفة طريقة تركيب ARRA base.

يرجى الرجوع إلى دليل تعليمات BASE next لمعرفة طريقة تركيب BASE next.

⚠ تحذير

قد يؤدي عدم مراعاة هذه التحذيرات والتعليمات إلى وقوع إصابات بالغة أو الوفاة.

ربط جميع الأحزمة الداعمة لوحدة حمل الطفل بإحكام و يجب أن تلامس رجل التحميل أرضية السيارة، ويجب ضبط الأحزمة المثبتة للطفل حسب جسمه. ويجب ألا تكون الأحزمة ملتوية.

بعد وضع طفلك في المقعد المطوّر يجب استخدام حزام الأمان بصورة صحيحة.

تثبيت أي أمتعة أو أي أشياء أخرى قد تتسبب في وقوع إصابات في حالة حدوث تصادم بصورة صحيحة.

التأكد من تركيب نظام تثبيت حركة الطفل المطوّر بطريقة لا تسمح بتداخل أي جزء من الوحدة مع المقاعد المتحركة أو مع عملية فتح و غلق أبواب السيارة.

يُرجى التأكد من أن الطفل مثبت جيداً بالحزام قبل حمل الوحدة باليد، وأن المقبض مغلق بنحو صحيح في وضع رأسي.

استشر الموزّع بشأن الأمور المتعلقة بالصيانة والإصلاح واستبدال الأجزاء.

يقتصر التركيب الصحيح على استخدام وصلات ISOFIX.

افحص أدلة ISOFIX باستمرار بحثاً عن أي أوساخ، ونظّفها إذا لزم الأمر، فقد تتأثر اعتمادية المنتج بسبب دخول أوساخ أو أتربة أو فضلات طعام وما إلى ذلك به.

يرجى التحقق قبل شراء هذا المقعد المطور من إمكانية تركيبه بشكل صحيح في سيارتك.

يرجى الاحتفاظ بهذا النظام المطوّر بعيداً عن أشعة الشمس؛ حتى لا يكون ساخناً جداً على بشرة الطفل، والتحقق باستمرار من المقعد قبل وضع الطفل به.

لاستخدام هذا المقعد مع وصلات ISOFIX -وفقاً لللائحة الأمم المتحدة رقم ٢٩ يجب أن تتوفر في طفلك الشروط التالية.

الطفل الذي يتراوح طوله ما بين ٤٠ و ٨٢ سم، ووزنه ١٣ كجم أو أقل (تقريباً ١٥ شهراً أو أقل).

لاستخدام وحدة حامل الطفل مع حزام السيارة يجب أن تتوفر بالطفل المتطلبات التالية.

أن يكون وزن الطفل ١٣ كجم أو أقل / وأن يكون عمره ١٥ شهراً أو أقل.

لا تستبدل الأجزاء اللينة في النظام إلا بالأجزاء الموصى بها من قبل الجهة المصنّعة؛ حيث إنها تشكل جزءاً لا يتجزأ من أداء هذا المقعد الداعم.

لتجنب خطر السقوط ثبت الطفل دائماً باستخدام الحزام بعد وضعه في الوحدة، حتى وإن كانت الوحدة خارج السيارة.

لتجنب حدوث إصابات خطيرة أو حالات وفاة لا تضع الوحدة والطفل بداخلها أبداً على مقعد ذي سطح مرتفع.

لا ينبغي تشحيم هذا المقعد المطور بأي شكل من الأشكال.

أزل الوحدة والقاعدة من مقعد السيارة في حالة عدم الاستخدام المنتظم.

ثبت الطفل دائماً في النظام المطوّر، حتى في الرحلات القصيرة إذ تكثر الحوادث أثناءها.

يحظر ترك الطفل في المقعد دون مراقبة.

يحظر استخدام نظام مطور مستعمل أو نظام مطور لا تعرف تاريخ استعماله؛ فقد يحتوي على تلف هيكلي يعرض سلامة طفلك للخطر.

يحظر استخدام الحبال أو أي أدوات أخرى لتثبيت النظام داخل السيارة أو لتثبيت الطفل بداخله.

لا توجد أنظمة تثبيت حركة مطورة تكفل الحماية الكاملة للطفل عند وقوع حادث، لكن الاستخدام السليم لنظام تثبيت حركة الطفل المطور هذا من شأنه تقليل خطر تعرض طفلك لإصابة جسيمة أو الوفاة.

تجنب استخدام أنظمة تثبيت الطفل المواجهة للخلف في أوضاع جلوس تكون فيها الوسادة الهوائية الأمامية نشطة؛ فقد يؤدي ذلك إلى حدوث وفاة أو إصابة خطيرة. ويرجى الرجوع إلى دليل استخدام السيارة للحصول على المزيد من المعلومات.

تجنب وضع أي شيء في منطقة ساق التثبيت أمام القاعدة.

تجنب استخدام أي نقاط اتصال لها قدرة تحمل بخلاف تلك الواردة في التعليمات والمحددة على المقعد المعزّز.

تجنب الاستمرار في استخدام هذا النظام بعد تعرضه لأي نوع من أنواع الاصطدام، حتى وإن كان بسيطاً، واستبدله فوراً لأنه ربما يكون قد تعرض لتلف هيكلي غير مرئي نتيجة الاصطدام.

تجنب تركيب هذا النظام دون اتباع التعليمات الواردة في هذا الدليل؛ وإلا، فقد تعرض طفلك لإصابة جسيمة أو الوفاة.

تجنب إجراء أي تعديل على هذا النظام أو استخدامه مع أجزاء من إنتاج مصنعين آخرين.

تجنب استخدام هذا النظام دون الأجزاء اللينة.

تجنب استخدام هذا النظام المطور إذا كان تالفاً أو به أجزاء مفقودة.

لا تلبس طفلك ملابس واسعة/كبيرة الحجم؛ فقد يحول ذلك دون تثبيت الطفل بصورة سليمة ومحمّكة بواسطة أحزمة الكتف والحزام بين الساقين.

تجنب ترك هذا النظام أو أي من مكوناته غير مقيّدة أو غير مثبتة بإحكام في السيارة؛ فقد تتطاير أجزائه غير المربوط بإحكام داخل السيارة مسببة في إصابة الركاب أثناء اجتياز منعطف حاد أو توقف مفاجئ أو تصادم.

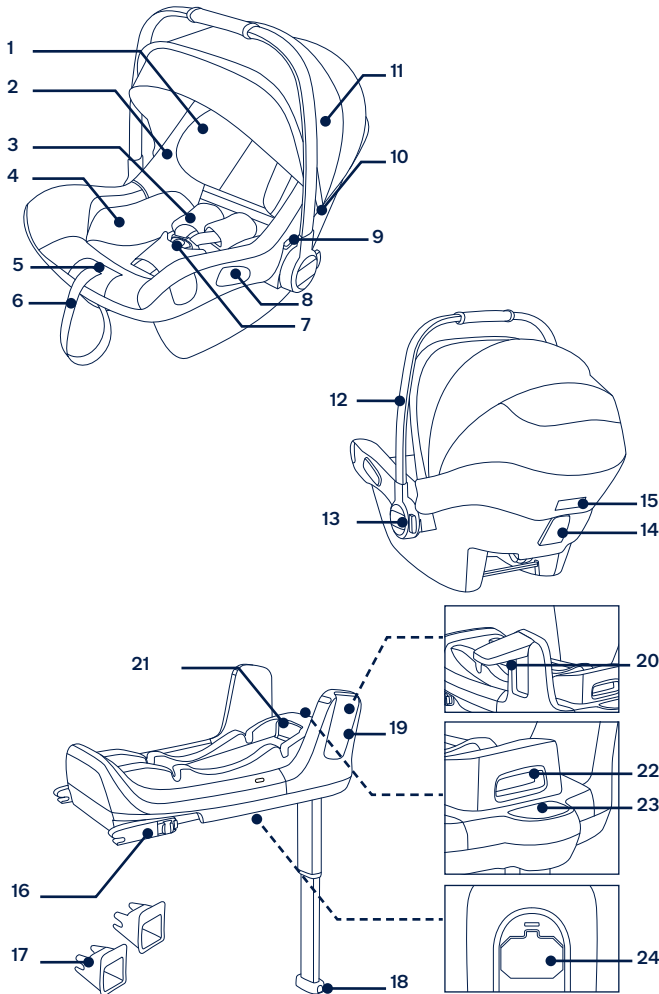
تجنب وضع أي أشياء أخرى بخلاف الوسائد الداخلية الموصى بها داخل النظام.

ينبغي الاحتفاظ بالتعليمات في النظام المطوّر لتثبيت حركة الطفل طوال عمره الافتراضي.

يرجى الانتباه أيضاً إلى التعليمات والتحذيرات في كتيب مصنّع السيارة.

قائمة الأجزاء

تأكد من توفر جميع الأجزاء قبل التجميع. يمكن بيع وحدة حامل الأطفال والقاعدة منفصلتين. إذا كان أي جزء مفقوداً، يرجى الاتصال بالموزع المحلي. لا داع لاستخدام أية أدوات للتجميع.



- | | | | |
|----|--------------------------|----|----------------------------|
| 1 | مسند الرأس | 13 | زر المقبض |
| 2 | وسادة المقعد | 14 | الدليل الخلفي |
| 3 | أشرطة مجموعة أحزمة الكتف | 15 | زر تحرير عربة الطفل ب |
| 4 | بطانة الطفل | 16 | موصل ISOFIX |
| 5 | زر ضبط مجموعة الأحزمة | 17 | أدلة ISOFIX |
| 6 | شريط الضبط | 18 | زر ضبط ساق التحميل |
| 7 | إبزيم الأمان | 19 | واقي الصدمات الجانبي |
| 8 | الأدلة الجانبية | 20 | زر طي واقي الصدمات للخلف |
| 9 | زر تحرير عربة الطفل أ | 21 | زر ضبط ISOFIX |
| 10 | حامل المظلة | 22 | زر تحرير وحدة حامل الطفل |
| 11 | المظلة | 23 | مؤشر ساق التحميل |
| 12 | المقبض | 24 | حجيرة تخزين دليل التعليمات |

استخدام المنتج

تعليمات التركيب

- 1- تناسب وحدة حامل الطفل مقاعد السيارة التي تحتوي على نقاط ربط i-Size ISOFIX بالقاعدة. (١)
- 2- تجنب استخدام أنظمة تثبيت الطفل المواجهة للخلف في أوضاع جلوس تكون فيها الوسادة الهوائية الأمامية نشطة؛ فقد يؤدي ذلك إلى حدوث وفاة أو إصابة خطيرة. (٢) يرجى الرجوع إلى دليل استخدام السيارة للحصول على المزيد من المعلومات.
- 3- لا تُركَّب هذا النظام على مقاعد السيارات الجانبية أو المتجهة للخلف. (٣)
- 4- يوصى بتركيب هذا النظام في المقعد الخلفي للسيارة. (٤)
- 5- لا تُركَّب هذا النظام على مقاعد السيارات القابلة للحركة أثناء عملية التركيب.

ضبط المقبض

- 1- يمكن تعديل مقبض وحدة حامل الطفل حتى ثلاثة أوضاع. (٥)
- 2- لضبط المقبض اضغط على زر المقبض في كلا الجانبين لتحريره. (٦)-١
- 3- أدر المقبض حتى يستقر في أي موضع من المواضع الثلاثة. (٦)-٢

التركيب باستخدام قاعدة

- 1- أخرج ساق التحميل من حجرة التخزين. (٧)
- 2- رُكِّب دليلي ISOFIX في نقطتي تثبيت ISOFIX. (٨) يحمي دليلي ISOFIX سطح مقعد السيارة من التمزق. كما يمكن استخدامها كدليل لوصلتي ISOFIX.
- 3- اضغط على زر ضبط ISOFIX لضبط وصلتي ISOFIX. (٩)
- 4- قم بمحاذاة وصلتي ISOFIX مع نقطتي تثبيت ISOFIX، ثم أسقط الوصلتين بحيث يمكنك سماع صوت استقرارهما في مكانيهما بنقطتي التثبيت. (١٠)
- 5- تأكد من إحكام تركيب وصلات ISOFIX في نقاط تثبيت ISOFIX، ومن المفترض سماع صوت نقرتين إلى جانب إضاءة المؤشرين في وصلتي ISOFIX باللون الأخضر. (١٠)-١
- 6- افحص للتأكد من إحكام تركيب القاعدة من خلال سحب وصلتي ISOFIX.
- 7- بعد وضع القاعدة على مقعد السيارة، افرد ساق التحميل للأسفل نحو الأرضية كما في الشكل (١١)، عندما يصبح لون مؤشر ساق التحميل أخضرًا، فهذا يعني أن التثبيت تم بطريقة صحيحة، بينما يشير اللون الأحمر إلى حدوث خطأ في إتمام عملية التثبيت.

(١١)-٢

! هناك ١٩ وضعية لساق التحميل، وإذا أضاء مؤشر ساق التحميل باللون الأحمر فهذا يعني أن الساق في وضعية خاطئة.

! تأكد من تلامس ساق التحميل بالكامل مع أرضية السيارة.

! لتقصير ساق التحميل اضغط على زر تحرير ساق التحميل، ثم اسحب ساق التحميل لأعلى لتقصيرها. (١١)-١

! تبعد القاعدة التي تم تجميعها بالكامل كما في الشكل (١٢).

! يجب تركيب وصلتي ISOFIX وإحكام تثبيتهما في نقطتي تثبيت ISOFIX. (١٢)-١

! يجب تركيب ساق التحميل بشكل صحيح من خلال التأكد من إضاءة مؤشرها باللون الأخضر. (١٢)-٢

٦ - إزالة القاعدة اضغط أولاً على زر القفل الثانوي (١٣)-١ ثم اضغط على الزر (١٣)-٢ الموجود على موصلات المزلاج قبل إزالة القاعدة من مقعد السيارة.

٧ - اضغط على زر ضبط ISOFIX لطي ISOFIX.

٨ - ادفع وحدة حامل الطفل لأسفل بالقاعدة؛ (١٤) وإذا كان مقعد الأطفال المطور بالسيارة في وضع أمن سيظل درع الحماية من الصدمات الجانبية مفتوحًا، ويضيء مؤشر نظام تقييد حركة الطفل باللون الأخضر. (١٥) يمكن إغلاق درع الصدمات الجانبية البعيد عن الباب كما هو مبين في الشكل (١٦) في حالة عدم استخدامه.

! اسحب الوحدة لأعلى للتأكد من إحكام تثبيتها داخل القاعدة.

٩ - لتحرير الوحدة اسحب نظام تقييد الطفل لأعلى مع الضغط على زر التحرير الموجود بها. (١٧)

ضبط الارتفاع

مسند الرأس وأحزمة الكف

تحقق من أن أحزمة الكف تم ضبطها على الارتفاع المناسب. ويرجي اختيار الزوجان المناسبين من فتحات حزام الكف طبقا لارتفاع الطفل.

! يجب أن تكون أحزمة الكف قريبة من أكتاف الأطفال (١٨)، مع عدم تجاوزها مستوى الكتفين. (١٩)

! إذا كانت أحزمة الكف على ارتفاع غير مناسب، قد تجد طفلك مجرد من نظام تقييد حركة الطفل المطور عند وقوع حادثة.

اسحب ذراع تعديل مسند الرأس (٢٠) مع سحب المسند لأعلى أو الضغط عليه لأسفل إلى أن يستقر في إحدى الوضعية السبع. أو أوضاع مسند الرأس يتم عرضها كما في الشكل (٢١).

المظلة

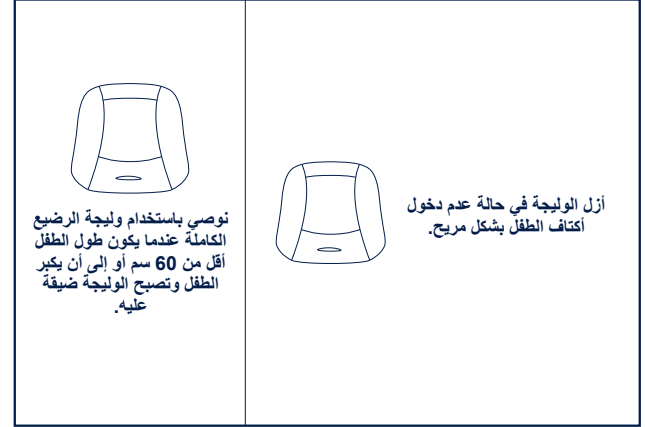
- ١ - فك سوستة المظلة الأمامية. (٢٧)
- ٢ - اسحب غطاء dream drape™ بعيداً عن المظلة. (٢٨)
- ٣ - ركب المغناطيس في كل زاوية الوحدة الأمامية. (٢٩)
- ٤ - يمكن فتح نافذة المظلة للتهوية. (٣٠)

فك وتركيب الأجزاء اللينة

راجع الصور من ٣١ إلى ٤٢
لتركيب الأجزاء اللينة. ، قم بإجراء الخطوات السابقة لكن بترتيب عكسي.

التركيب بدون استخدام قاعدة

- ١ - تجنب تركيب الوحدة على مقاعد السيارات المزودة بأحزمة فخذ. (٤٣)
- ٢ - تناسب هذه الوحدة مقاعد السيارة المزودة بحزام أمان ثلاثي النقاط (بدون قاعدة) فقط. (٤٤)
- ٣ - ضع الوحدة على مقعد السيارة بالمكان الذي ترغب فيه. اسحب حزام أمان السيارة للخارج وثبته في المشبك المعدني بالسيارة، مع سحب حزام الخصر الموجود بالمركبة على جانبي وحدة حامل الطفل. (٤٥)
- ! لا يمكن استخدام الوحدة إذا كان المشبك المعدني لحزام أمان السيارة (طرف المشبك المعدني الأثني) طويلاً جداً لتثبيتها بأمان. (٤٥)-١
- ٤ - اسحب الحزام القطري عبر الموجه الخلفي. (٤٦)
- ٥ - اسحب حزام الكف الموجود بالمركبة لتثبيت الوحدة بأمان وإحكام. (٤٧)
- ٦ - يجب تسوية خط مستوى الوحدة بالأرض عند القيام بتركيب الوحدة. (٤٨)
- ! يرجى شد حزام الأمان بالسيارة بأقصى درجة ممكنة والتأكد من أن الحزام غير مرتخٍ أو ملتوٍ.
- ! بعد تركيب الوحدة، تأكد دائماً من توصيل أحزمة السيارة بطريقة صحيحة وتثبيتها بأمان في المشبك المعدني للسيارة. (٤٩)



بعد وضع الطفل في المقعد يرجى التأكد من وجود أحزمة الكف على ارتفاع مناسب.

- ١ - عند الضغط على زر تعديل طول الحزام اسحب حزامي الكف بنظام تقنين الطفل المطور بشكل كامل. (٢٢)
- ٢ - ألق قفل إيزيم الحزامين بالضغط على الزر الأحمر. (٢٣)
- ٣ - ضع الطفل في الوحدة ومن ثم أغلق المشبك. (٢٥) يرجى الرجوع إلى الشكل (٢٤).
- ٤ - شد أحزمة الكف عن طريق سحب شريط الضبط كما في الشكل. (٢٦)
- ! تأكد من أن المسافة بين الطفل وأشرطة حزام الكف تساوي سُمك يد واحدة تقريباً

التنظيف والصيانة

نظف الإطار والأجزاء البلاستيكية والقماش بقطعة قماش مبللة، ولكن لا تستخدم المواد الكاشطة أو المبيضة ولا مواد التشحيم المصنوعة من السيليكون لأنها ستجذب الأوساخ والسخام.

لضمان الاستخدام طويل الأمد امسح المنتج بقطعة قماش ناعمة وماصة بعد استخدامه في الطقس الممطر.

راجع الملصقات المرفقة الخاصة بالعناية بالأقمشة غير المعمرة للحصول على إرشادات الغسيل والتجفيف.

من الطبيعي أن يتم تلويث الأقمشة نتيجة تعرضها لأشعة الشمس وإظهار علامات البلى بعد فترة طويلة من الاستخدام حتى عند استخدامها بشكل طبيعي.

لأسباب تتعلق بالسلامة يرجى استخدام الأجزاء الأصلية فقط من Nuna.

تحقق باستمرار من أن كل شيء يعمل بشكل صحيح. إذا كان هناك أي أجزاء ممزقة أو مكسورة أو مفقودة، فتوقف عن استخدام هذا المنتج.

! يرجى ملاحظة أن سلامة الطفل غير مضمونة عند عدم الامتثال لدليل التثبيت والإرشادات.

! لاحظ أن تثبيت الوحدة في مقاعد الطائرات يختلف عن التثبيت على مقاعد السيارات.

! لاحظ أنه يُسمح باستخدام "حزام الخصر" المكون من نقطتين المرفق في الطائرة فقط.

! لاحظ أن الوحدة يجب أن تظل مربوطة في مقعد الطائرة حتى إن كانت خالية.

! لاحظ أن الوحدة مُحصصة للاستخدام على مقاعد الراكب المُصرح به من قبل شركة الطيران فقط.

! يرجى عدم استخدام الوحدة في المنطقة التي تنتقح فيها الوسادة الهوائية. (٢)

! لاحظ أن الوحدة المواجهة للخلف يجب أن تُثبت على مقاعد الركاب المواجهة للأمام فقط. (٥٠)

طريقة تثبيت وحدة حامل الأطفال باستخدام حزام أمان مقعد الطائرة:

١ - ضع وحدة حامل الأطفال في الجهة المقابلة لاتجاه الرحلة على مقعد الراكب.

٢ - تأكد أن مقبض الحمل في أعلى موضع.

٣ - ضع حزام الأمان في كل من دليبي الحزام.

٤ - أغلق حزام الأمان (راجع تعليمات السلامة الموضوعه من قبل شركة الطيران).

٥ - شدّد حزام الأمان عن طريق سحب نهاية الحزام. (٥١)

! يجب ألا يكون مثبت حزام الأمان -مهما كانت الظروف- داخل مسارات الحزام الأخضر الداكن. (٥٢)

نزع الحزام:

افتح حزام أمان مقعد الراكب (راجع تعليمات السلامة الموضوعه من قبل شركة الطيران).

يمكنك الآن رفع الوحدة عن مقعد الراكب.

重要!
本説明書は今後も参照で
きるよう大切に保管して
おいてください。
よくお読みください

目次

製品情報	311
製品登録	
保証	
お問い合わせ	
お子様に使用される際の要件	312
ベースありで使用する場合とベースなしで使用する場合	313
警告	314
部品リスト	318
製品の使用方法	320
お手入れとメンテナンス	325

製品情報

モデル番号: _____

製造年月日: _____

製品登録

上記の情報を記入してください。モデル番号と製造日は、PIPA nextおよびPIPA next baseの底面に記載されています。

お使いの製品を登録するには次のサイトにアクセスしてください:

www.nunababy.com

ホームページの「製品を登録する」をクリックしてください。

保証

当社の高品質製品は、お子様とご家族の成長に合わせて調整することを考慮して設計されています。当社では自社製品に対するサポートを提供しています。当社の製品は、ご購入された日から、製品ごとに分かれた保証の対象となります。お問い合わせの際は、ご購入の証明、モデル番号、製造年月日などの情報をお手元にご用意の上、ご連絡ください。

保証情報については次のサイトにアクセスしてください:

www.nunababy.com

ホームページの「保証」をクリックしてください。

お問い合わせ

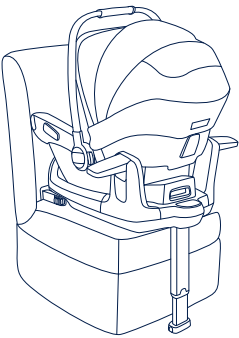
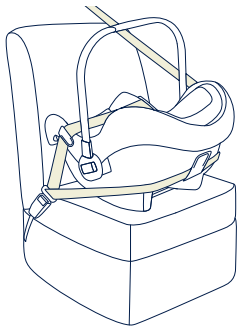
部品の交換や製品の点検修理、追加保証に関するご質問は、当社のカスタマーサービス部門にお問い合わせください。

info@nunababy.com

www.nunababy.com

お子様に使用される際の要件

本製品は、次の要件を満たすお子様用に適しています:

取り付け図	適したお子様
	身長が40cm~83cm/体重が13kg以下のお子様 (生後約15か月以下)
	身長が40cm~83cm/体重が13kg以下のお子様 生後15か月以下のお子様

ベースありで使用する場合とベースなしで使用する場合

- 1- アイサイズ (i-Size) (Integral Universal ISOFIX Enhanced Child Restraint Systems: 一体型汎用ISOFIX改良型年少者用補助乗車装置) とは、主に車両のすべてのアイサイズ座席位置で使用するために設計された改良型年少者用補助乗車装置のカテゴリです。
- 2- 国連欧州経済委員会の協定規則129号によると、ベース付き改良型チャイルドシートは汎用ISOFIX改良型年少者用補助乗車装置であり、ISOFIX接続を使用して取り付ける必要があります。
- 3- 本製品は、「アイサイズ」改良型チャイルドシートです。車両の取扱説明書において車両メーカーによって示されているアイサイズ対応車両の座席位置での使用が、国連欧州経済委員会の協定規則129号に基づいて承認されています。
- 4- 本製品は、汎用ベルト式改良型チャイルドシートです。車両の取扱説明書において車両メーカーによって示されている主に「汎用座席位置」での使用が、国連欧州経済委員会の協定規則129号に基づいて承認されています。
- 5- 疑問がおありの場合は、改良型チャイルドシートのメーカーまたは小売店に問い合わせてください。
- 6- PIPA Nextチャイルドシートは、以下の製品と組み合わせて使用できません。

PIPA next base

ARRA base

BASE next

ARRA baseの取り付けについては、ARRAの取扱説明書を参照してください。

BASE nextの取り付けについては、BASE nextの取扱説明書を参照してください。

⚠警告

注意事項や指示に従わない場合、重傷または死亡事故につながる恐れがあります。

乳児用キャリアモジュールを車両に固定するストラップはきつく締め、サポートレグを車両の床に接触させ、お子様の位置を固定するストラップをお子様の身体に合わせて調整し、ストラップをねじらないようにしてください。

お子様をこの改良型チャイルドシートに座らせた後、安全ベルトを正しく使用してください。

衝突の際に怪我を引き起こす可能性のある荷物やその他の物体はしっかりと固定してください。

改良型チャイルドシートは、可動式シートや車両ドアの操作を妨げないように取り付けてください。

乳児用キャリアモジュールを手で運ぶ前に、お子様が子供用ハーネスで補助されており、ハンドルが垂直位置で正しくロックされていることを確認してください。

保守、修理、部品交換については、販売店にご相談ください。

ISOFIXコネクターを使用しない限り、正しく取り付けることはできません。

ISOFIXガイドに汚れがないか頻繁に確認し、必要に応じて清掃してください。汚れ、埃、食品の粒子などが侵入すると、信頼性が低下する可能性があります。

この改良型チャイルドシートを購入する前に、ご利用の車両に正しく取り付けられることを確認してください。

この改良型チャイルドシートを直射日光に曝す場合は、お子様の肌には熱すぎることをないよう、布地の覆いをかけてください。お子様を座らせる前に、必ず改良型チャイルドシートに触れて、温度を確認してください。

国連欧州経済委員会の協定規則129号に従って、ISOFIX接続でこの改良型チャイルドシートを使用する場合は、お子様が次の要件を満たしている必要があります。

お子様の身長が40cm～83cmであり、体重が13kg以下であること（生後約15か月以下）。

車両ベルトでこの改良型チャイルドシートを使用する場合は、お子様が次の要件を満たしている必要があります。

お子様の身長が40cm～83cmであり、体重が13kg以下であり、生後15か月以下であること。

改良型チャイルドシートシステムのソフトグッズは保護機能に不可欠であるため、メーカーが推奨するもの以外のソフトグッズと交換しないでください。

お子様を乳児用キャリアモジュールに座らせる場合は、転倒のリスクを回避するために、常に子供用ハーネスを使用してお子様の位置を固定してください。これは改良型チャイルドシートを車両内で使用しないときでも同様です。

重傷または死亡事故を避けるために、乳児用キャリアモジュールにお子様を座らせた状態で高い場所にあるシートの上に置くことは、絶対におやめください。

この改良型チャイルドシートの構成部品に油を注さないようにしてください。

あまり頻繁に使用しない場合は、この乳児用キャリアモジュールとベースを車両シートから取り外してください。

たとえ短時間の移動でも、必ずお子様を改良型チャイルドシートに座らせてください。ほとんどの事故は、短時間の移動中に発生します。

この改良型チャイルドシートにお子様を座らせた状態で、その場を離れることは絶対におやめください。

中古の改良型チャイルドシートや使用履歴が不明な改良型チャイルドシートは、お子様の安全を脅かす構造上の損傷がある可能性があるため、絶対に使用しないでください。

ロープや他の道具を使用して、車両に改良型チャイルドシートを固定したり改良型チャイルドシートでお子様の位置を固定することは、絶対におやめください。

改良型チャイルドシートは、事故における怪我からお子様の完璧な保護を保証できるわけではありません。ただし、この改良型チャイルドシートを適切に使用すれば、お子様の重傷または死亡事故のリスクを軽減できます。

アクティブなフロントエアバッグが取り付けられている座席位置では、改良型チャイルドシートシステムを後ろ向きに取り付けた状態で使用してはなりません。死亡事故または重傷の原因となります。詳細については、車両の取扱説明書を参照してください。

ベースの前のサポートレッグ領域に物を置かないでください。

取扱説明書に記載されており、改良型チャイルドシートにマークされている以外の耐荷重性接点を使用しないでください。

何らかの衝突が発生した場合は、たとえ軽度であっても、この改良型チャイルドシートはそれ以降使用しないでください。衝突により目に見えない構造的な損傷が負う可能性があるため、すぐに交換してください。

本取扱説明書の指示に従わずにこの改良型チャイルドシートを取り付けることはおやめください。お子様が怪我や死亡事故の深刻なリスクにさらされる可能性があります。

この改良型チャイルドシートを改造したり、他のメーカー製の構成部品と一緒に使用しないでください。

ソフトグッズなしの状態では、改良型チャイルドシートシステムを使用しないでください。

部品が損傷または欠落している場合は、この改良型チャイルドシートを使用しないでください。

改良型チャイルドシートに座らせるときは、お子様に大きい衣服/特大の衣服を着せないでください。ショルダハーネスストラップと脚の間のクロッチストラップでお子様の位置をしっかりと固定できなくなる可能性があります。

この改良型チャイルドシートやその他の用具を、車両の中にベルト留めされていない状態または固定されていない状態で、放置しないでください。急旋回、急停止、衝突時に、固定されていない改良型チャイルドシートが投げ出され、乗員を負傷させる可能性があります。

この改良型チャイルドシート内には、推奨されるインナークッション以外のものを置かないでください。

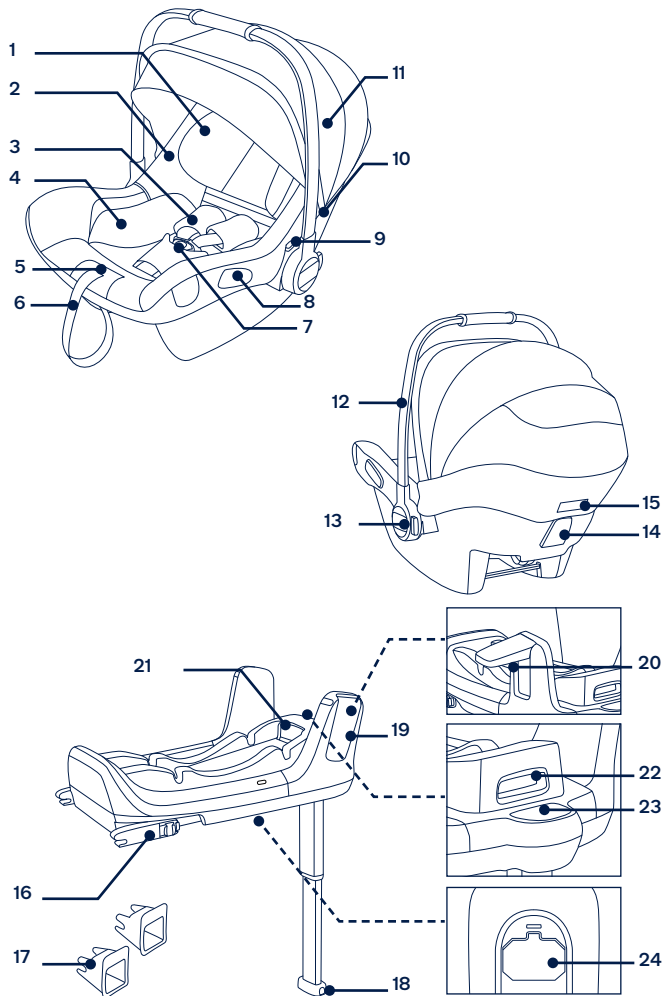
強化チャイルドシートの使用期間を通して、本取扱説明書を保持してください。

また、自動車メーカーのハンドブックに記載されている指示および警告も注意を払ってください。

部品リスト

組み立てる前にすべての部品が揃っていることを確認してください。乳児用キャリアモジュールとベースは別売りの場合があります。部品が不足している場合は、最寄りの販売店にお問い合わせください。組立に工具は必要ありません。

- | | | | |
|----|----------------|----|---------------------|
| 1 | ヘッドサポート | 14 | リアガイド |
| 2 | シートパッド | 15 | ベビーカーリリースボタンB |
| 3 | ショルダーハーネスストラップ | 16 | ISOFIXコネクター |
| 4 | 乳児用インレイ | 17 | ISOFIXガイド |
| 5 | ハーネス調整ボタン | 18 | サポートレッグ調整ボタン |
| 6 | 調整用引き紐 | 19 | サイドインパクトシールド |
| 7 | 安全バックル | 20 | シールド折り返しボタン |
| 8 | サイドガイド | 21 | ISOFIX調整ボタン |
| 9 | ベビーカーリリースボタンA | 22 | 乳児用キャリアモジュールリリースボタン |
| 10 | キャンピーマウント | 23 | サポートレッグインジケーター |
| 11 | キャンピー | 24 | 取扱説明書収納コンパートメント |
| 12 | ハンドル | | |
| 13 | ハンドルボタン | | |



製品の使用法

取り付けに関する注意事項

この乳児用キャリアモジュールは、ベース付きアイサイズISOFIXアンカーポイントを備えた車両シートに適しています。(1)

アクティブなフロントエアバッグが取り付けられている座席位置では、改良型チャイルドシートシステムを後ろ向きに取り付けた状態で使用してはなりません。死亡事故または重傷の原因となります。(2) 詳細については、車両の取扱説明書を参照してください。

車両の進行方向に対して横向きまたは後ろ向きの車両シートに、この改良型チャイルドシートを取り付けしないでください。(3)

この改良型チャイルドシートは後部車両シートに取り付けることをお勧めします。(4)

この改良型チャイルドシートを取り付け時に移動可能な車両シートに取り付けしないでください。

ハンドル調整

- 1- 乳児用キャリアモジュールのハンドルは3つの位置に調整できます。(5)
- 2- ハンドルを調整する場合は、両側のハンドルボタンを絞って固定位置から離してください。(6)-1
- 3- 3つの位置のいずれかにカチッと収まるまでハンドルを回転させてください。(6)-2

ベースを使って取り付ける場合

- 1- 収納コンパートメントからサポートレッグを広げてください。(7)
- 2- ISOFIXガイドをISOFIXアンカーポイントに合わせてください。(8) ISOFIXガイドは、車両シートの表面が破れるのを防ぎます。また、ISOFIXコネクタをガイドします。
- 3- ISOFIX調整ボタンを押して、ISOFIXコネクタを調整してください。(9)
- 4- ISOFIXコネクタをISOFIXガイドに合わせ、両方のISOFIXコネクタをクリックして、ISOFIXアンカーポイントに挿入してください。(10)

！ 両方のISOFIXコネクタがISOFIXアンカーポイントにしっかりと取り付けられていることを確認してください。クリック音が2回鳴り、両方のISOFIXコネクタのインジケータの色が完全に緑色になります。(10)-1

！ 両方のISOFIXコネクタを引っ張って、ベースがしっかりと取り付けられていることを確認してください。

5- 車両シートにベースを配置した後、サポートレグを床まで伸ばしてください(11)。サポートレグインジケータが緑色になっている場合は正しく取り付けられていることを示し、赤色の場合は正しく取り付けられていないことを示します。(11)-2

！ サポートレグには19の位置があります。サポートレグインジケータが赤色に表示されている場合、サポートレグが間違った位置にあることを意味します。

！ サポートレグが車両の床に完全に接触するようにしてください。

！ サポートレグを短くするには、サポートレグのリリースボタンを折り、サポートレグを上方に引いてください。(11)-1
完全に組み立てられたベースは、(12)のようになります。

！ ISOFIXコネクタは、ISOFIXアンカーポイントに取り付けてロックする必要があります。(12)-1

！ サポートレグは正しく取り付け、緑色のインジケータが表示されるのを確認してください。(12)-2

6- ベースを取り外す場合は、最初にセカンダリロックボタン(13)-1を押してから、ラッチコネクタのボタン(13)-2を押し、車両シートからベースを取り外してください。

7- ISOFIX調整ボタンを押して、ISOFIXを折りたたんでください。

8- 乳児用キャリアモジュールをベース(14)に押し込んでください。改良型チャイルドシートが固定されている場合、サイドインパクトシールドが開いて、改良型チャイルドシートのインジケータが緑色に表示されます。(15) ドアから離れたサイドインパクトシールドは、使用しない場合は(16)のように閉めることができます。

！ 乳児用キャリアモジュールを引き上げて、ベースにしっかりと固定されていることを確認してください。

9- 乳児用キャリアモジュールを取り外す場合は、乳児用キャリアモジュールのリリースボタンを押しながら、改良型チャイルドシートを引き上げてください。(17)

高さ調整

ヘッドサポートおよびショルダーハーネスの場合

ショルダーハーネスストラップが適切な高さに設定されていることを確認してください。お子様の身長に合わせて適切なショルダーハーネス スロットを選んでください。

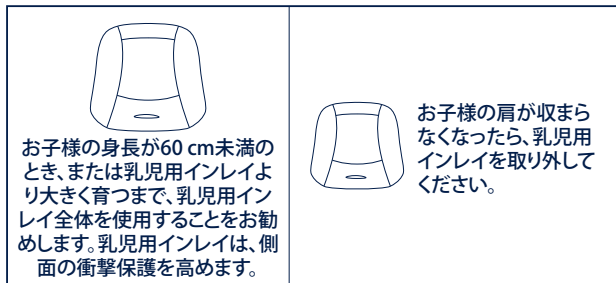
！ ショルダーハーネスストラップはお子様の肩(18)に最も近くなるようにしてください。ただし、肩の線より上にならないようにしてください。(19)

！ ショルダーハーネスストラップの高さが適切でない場合、衝突が発生すると、改良型チャイルドシートをからお子様が飛び出す可能性があります。

ヘッドサポート調整レバー(20)を引きながら、7つの位置のいずれかにカチッと収まるまで、ヘッドサポートを引き上げるか押し下げてください。ヘッドサポートの位置は、(21)のようになります。

お子様の位置を固定する

乳児用インレイを使用する



お子様をシートに座らせた後、ショルダーハーネスストラップが適切な高さにあるかどうかを確認してください。

- 1- ハーネス調整ボタンを押しながら、改良型チャイルドシートの2つのショルダーハーネスストラップを完全に引いてください。(22)
- 2- 赤色ボタンを押して、ハーネスのバックルのロックを解除してください。(23)
- 3- お子様を乳児用キャリアモジュールに座らせ、バックルをロックしてください。(25) (24)を参照してください。

4- 調整用引き紐を引いて、ショルダーハーネスストラップを締めてください。(26)

! お子様とショルダーハーネスストラップの間のスペースが、片手の厚さ程度であるようにしてください。

キャノピー

1- フロントキャノピーボウのジッパーを外してください。(27)

2- キャノピーからDream drape™を引き出してください。(28)

3- マグネットを使用して、各コーナーのマグネットを乳児用キャリアモジュールの前面に取り付けてください。(29)

4- キャノピーウィンドウは換気のために開くことができます。(30)

ソフトグッズの取り外しと組み立て

画像(31)~(42)を参照してください

ソフトグッズを再度組み立てる場合は、前述の手順を逆行してください。

ベースを使わずに取り付ける場合

1- この乳児用キャリアモジュールはラップベルトを使って車両シートに取り付けてはなりません。(43)

2- この乳児用キャリアモジュールは、3点式リトラクター安全ベルト(ベースなし)を備えた車両シートにのみ適しています。(44)

3- 乳児用キャリアモジュールを配置する車両シートに置いてください。車両安全ベルトを引き出して車両バックルにロックし、車両ラップベルトを乳児用キャリアモジュールのサイドガイドにスライドさせてください。(45)

! 車両安全ベルトのバックル(メスバックルの端)が長すぎて乳児用キャリアモジュールをしっかりと固定できない場合、乳児用キャリアモジュールを使用できません。(45)-1

4- 斜めのベルトを後部ガイドにスライドさせてください。(46)

5- 車両ショルダーベルトを引いて、乳児用キャリアモジュールをしっかりと固定してください。(47)

6- 乳児用キャリアモジュールが取り付けられた状態で、乳児用キャリアモジュールのレベルラインが床と同じ高さになるようにしてください。(48)

! 車両安全ベルトに可能な限り張力をかけ、緩みやねじれがないことを確認してください。

! 乳児用キャリアモジュールを取り付けた後は、車両ベルトが車両バックルに正しく確実に取り付けられていることを必ず確認してください。(49)

航空機での取り付け

! 設置ガイドおよび取扱説明書に従わない場合、お客様の安全が保証されないことに注意してください。

! 航空機シートへの乳児用キャリアモジュールの取り付けは、車両シートへの取り付けとは異なることに注意してください。

! 2ポイント「ラップベルト」の取り付けは、航空機でのみ許可されていることに注意してください。

! 乳児用キャリアモジュールは、お子様が座っていないときでも、航空機シートにベルトで留めておかなければならないことに注意してください。

! 乳児用キャリアモジュールは、航空会社が認可した客席でのみ使用できることに注意してください。

! エアバッグ展開領域内で、乳児用キャリアモジュールを使用しないように注意してください。(2)

! 後ろ向きの乳児用キャリアモジュールは、前向きの客席にのみ設置できることに注意してください。(50)

航空機シートの安全ベルトを使用して乳児用キャリアモジュールを取り付ける方法:

1- 乳児用キャリアモジュールを客席の上に飛行方向と反対向きに配置してください。

2- キャリーハンドルが一番上の位置に来るようにしてください。

3- 安全ベルトを両方のベルトガイドに配置してください。

4- 安全ベルトを閉めてください(航空会社の安全指示を参照してください)。

5- ベルトの端を引っ張って安全ベルトを締めてください。(51)

! 安全ベルトのバックルは、いかなる状況においても、濃い緑色のベルトガイド内に入らないようにしてください。(52)

取り外し:

客席の安全ベルトを開いてください(航空会社の安全指示を参照してください)。

これで、客席から乳児用キャリアモジュールを取り外すことができます。

お手入れとメンテナンス

フレーム、プラスチック部品、布地を湿らせた布で拭いてください。ただし、研磨剤や漂白剤を使用しないでください。シリコン潤滑剤は汚れや垢を引き付けるため、使用しないでください。

雨天で使用した後は、長持ちさせるために吸湿性のある柔らかい布で拭き取ってください。

洗濯および乾燥の方法については、ソフトグッズに付いているお手入れ用ラベルを参照してください。

普通に使用されている場合でも、日光により色褪せたり、長時間の使用により損傷が生じたりすることがありますが、これは異常ではありません。

安全上の理由から、Nunaの正規部品のみを使用してください。

すべてが正しく機能しているか、定期的に確認してください。破れたり、壊れたり、欠けている部品があった場合は、本製品の使用を中止してください。